

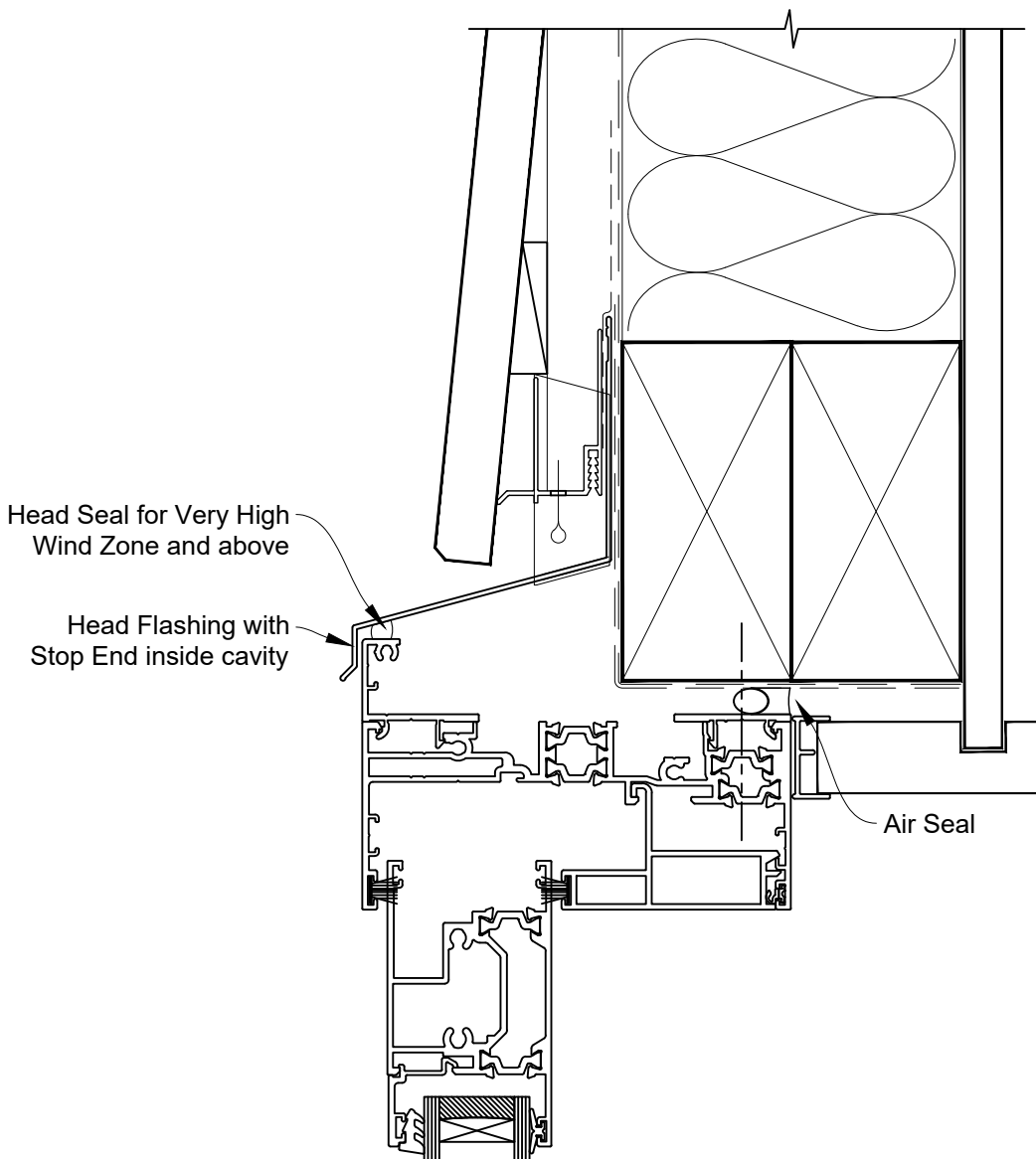


INSTALLATION DETAIL - ARCHITECTURAL THERMAL HEART 114mm SLIDING WINDOW ON BEVELBACK WEATHERBOARD CAVITY CONSTRUCTION

Date: 01.09.23

Scale: 1:2

CAD Ref.: TA114SWBW-CH



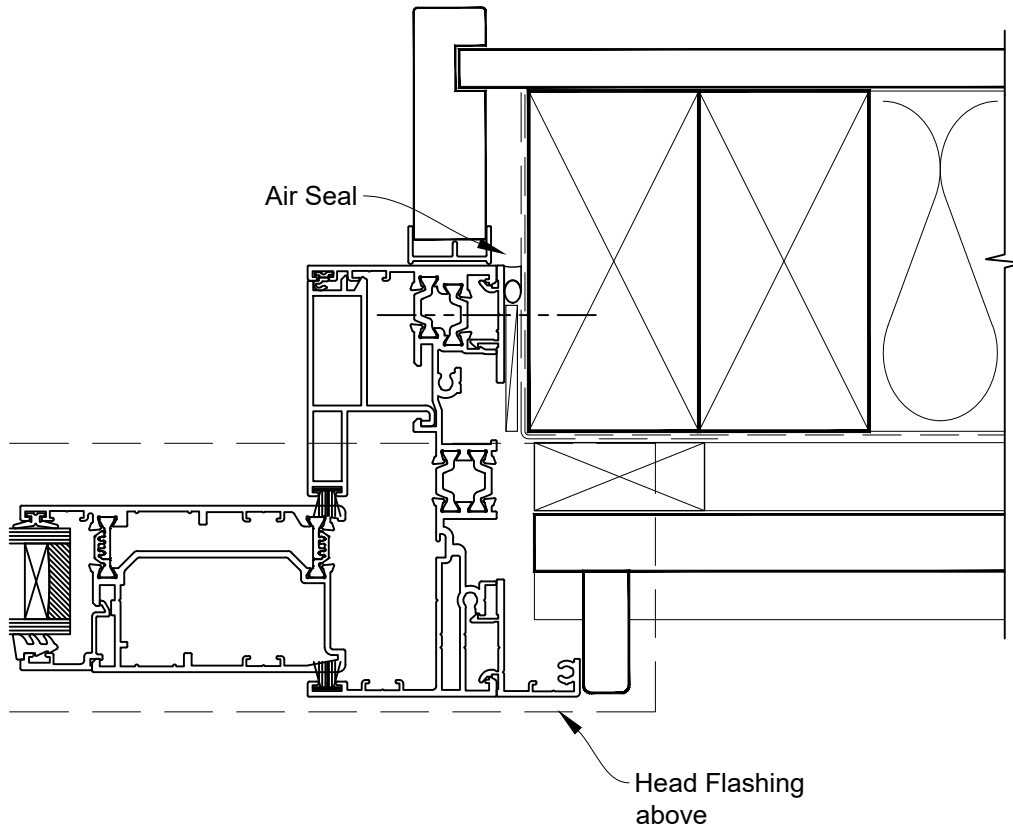


INSTALLATION DETAIL - ARCHITECTURAL THERMAL HEART 114mm SLIDING WINDOW ON BEVELBACK WEATHERBOARD CAVITY CONSTRUCTION

Date: 01.09.23

Scale: 1:2

CAD Ref.: TA114SWBW-CJ





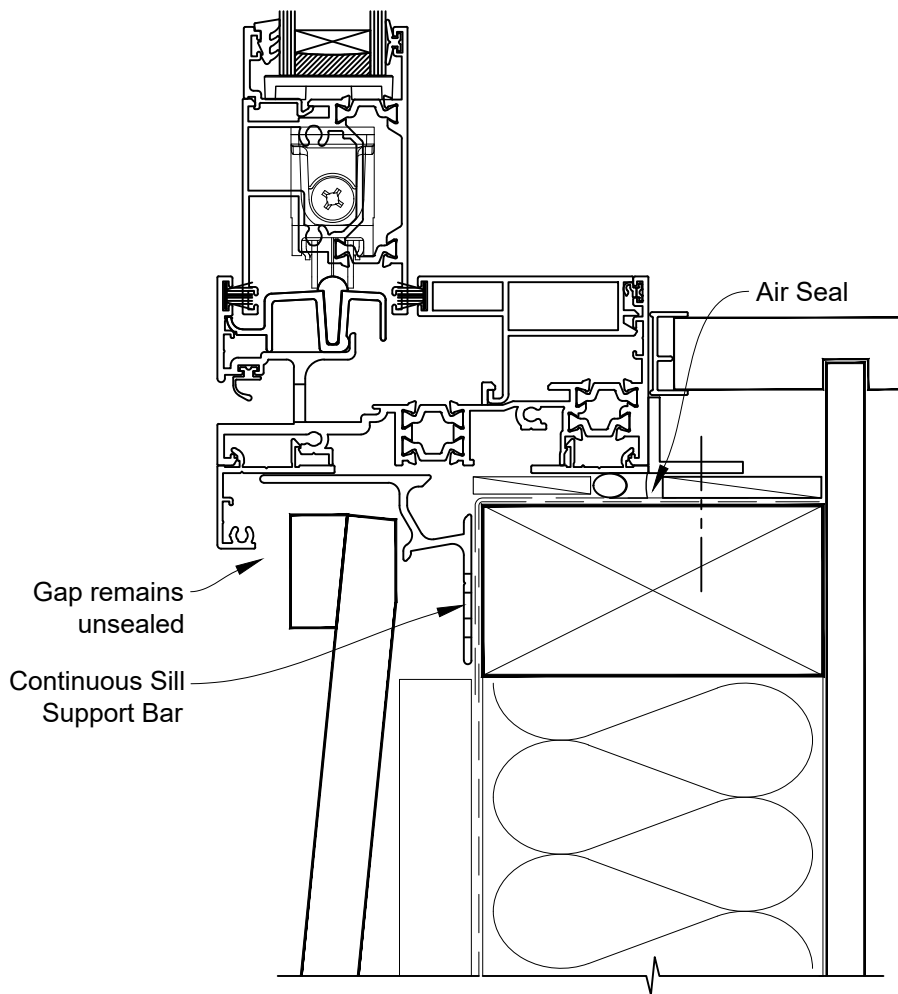
INSTALLATION DETAIL - ARCHITECTURAL THERMAL HEART 114mm SLIDING WINDOW ON BEVELBACK WEATHERBOARD CAVITY CONSTRUCTION

Date: 01.09.23

Scale: 1:2

CAD Ref.: TA114SWBW-CS

FACING INFILL OPTION





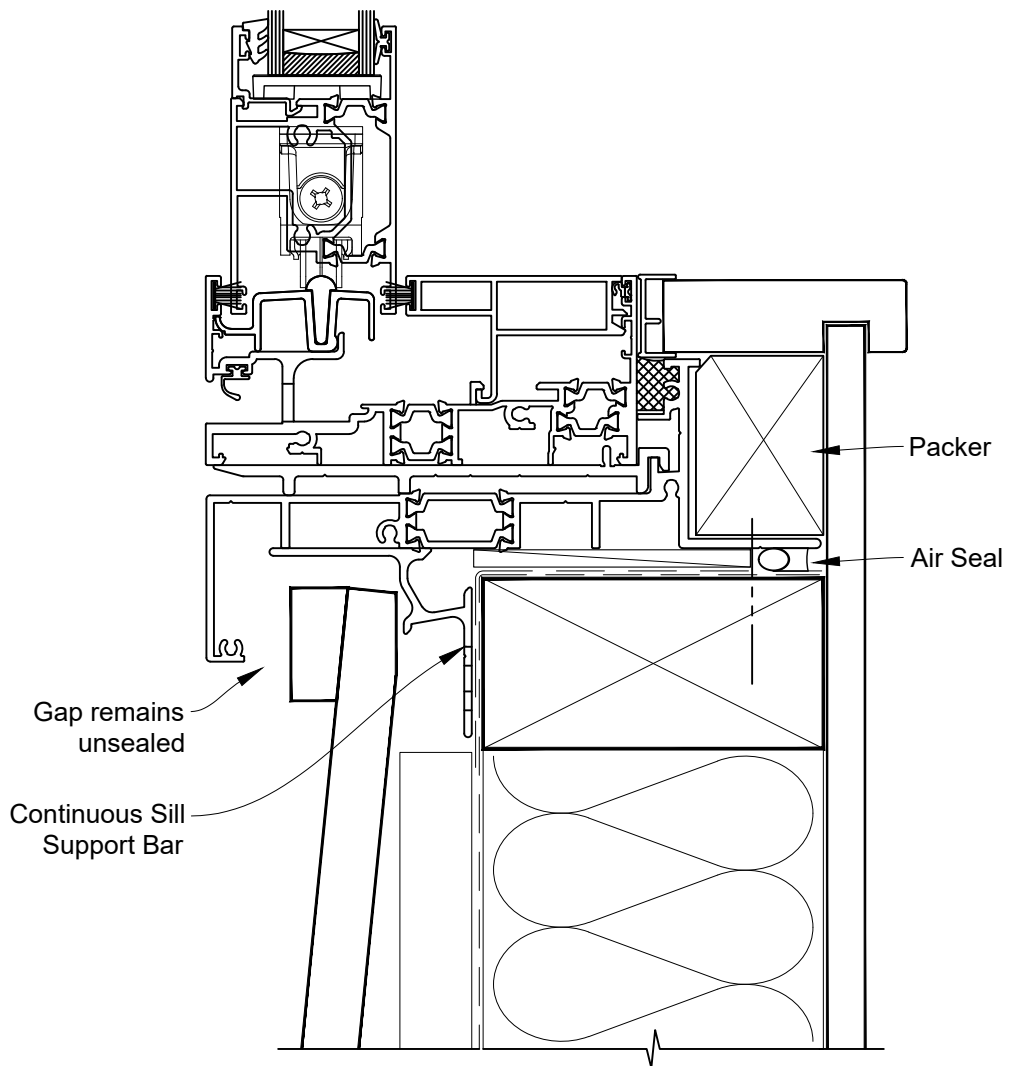
INSTALLATION DETAIL - ARCHITECTURAL THERMAL HEART 114mm SLIDING WINDOW ON BEVELBACK WEATHERBOARD CAVITY CONSTRUCTION

Date: 01.09.23

Scale: 1:2

CAD Ref.: TA114SWBW-CS2

SILL TRAY OPTION



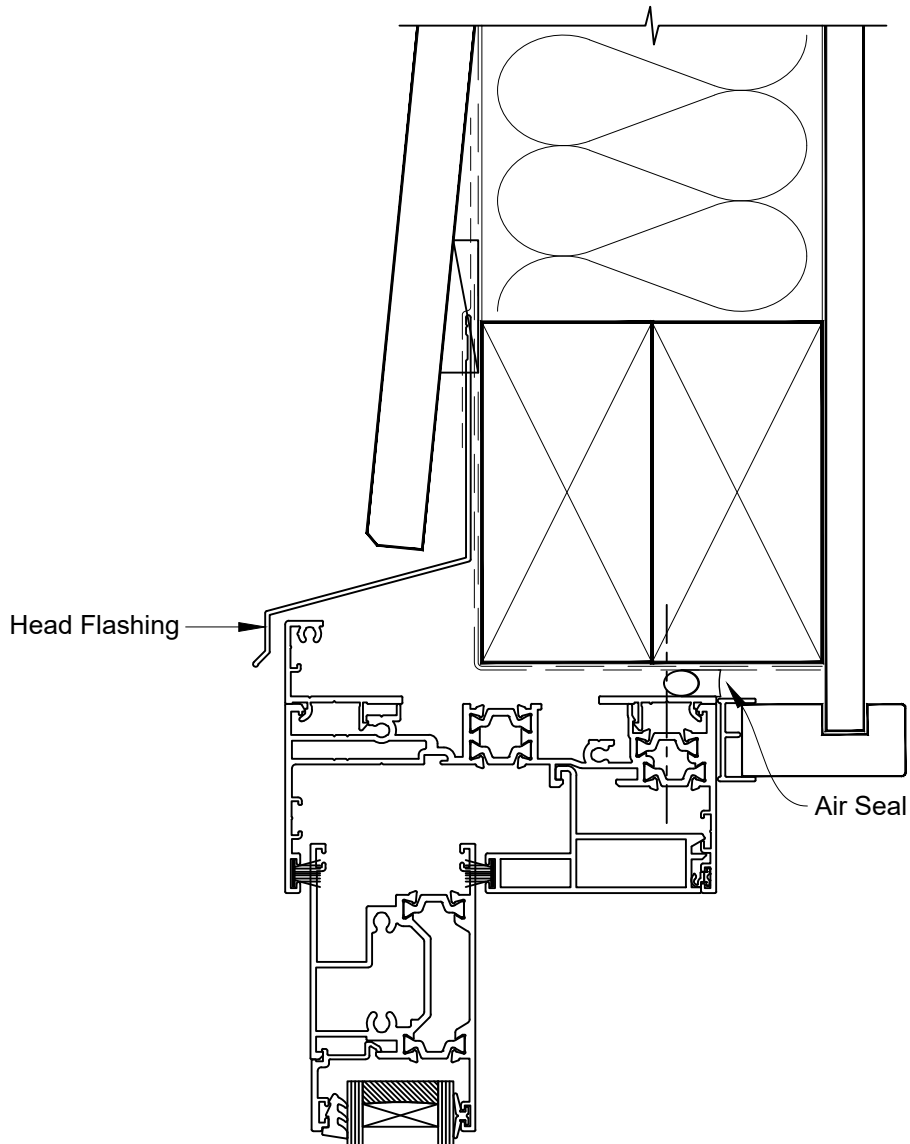


INSTALLATION DETAIL - ARCHITECTURAL THERMAL HEART 114mm SLIDING WINDOW ON BEVELBACK WEATHERBOARD DIRECT FIXED CLADDING

Date: 01.09.23

Scale: 1:2

CAD Ref.: TA114SWBW-DH



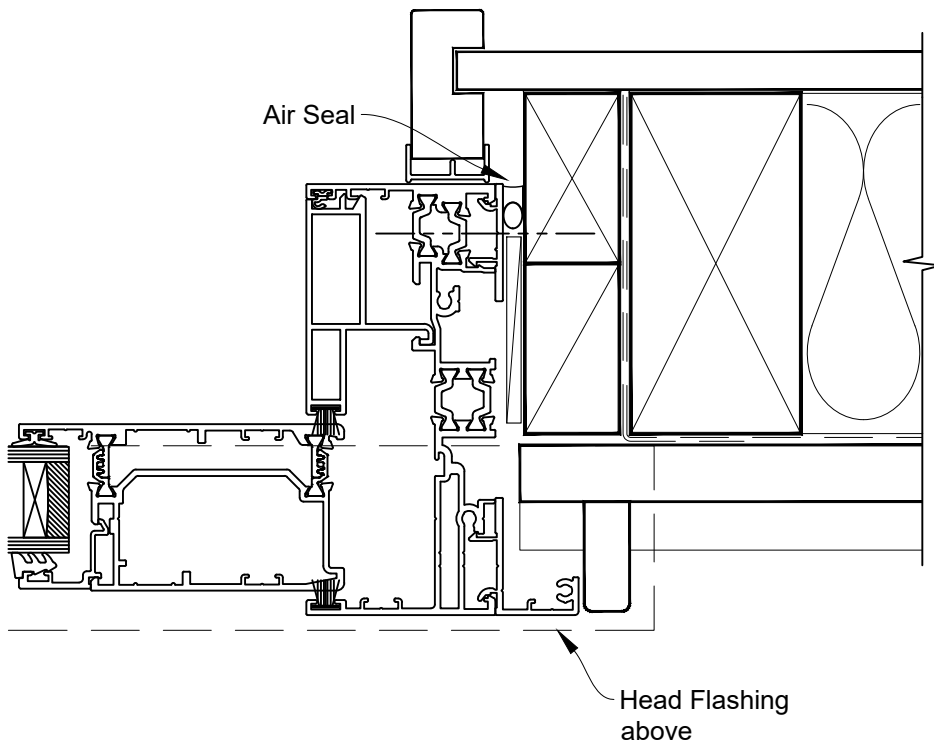


INSTALLATION DETAIL - ARCHITECTURAL THERMAL HEART 114mm SLIDING WINDOW ON BEVELBACK WEATHERBOARD DIRECT FIXED CLADDING

Date: 01.09.23

Scale: 1:2

CAD Ref.: TA114SWBW-DJ





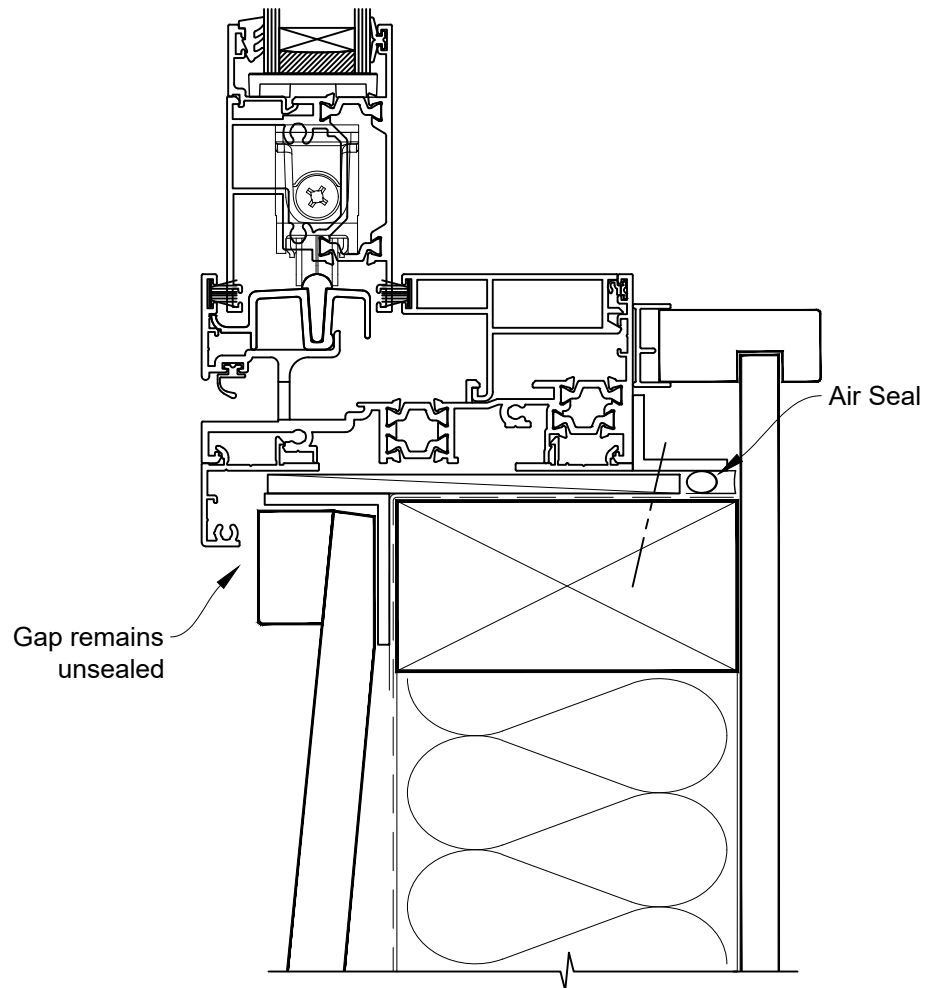
INSTALLATION DETAIL - ARCHITECTURAL THERMAL HEART 114mm SLIDING WINDOW ON BEVELBACK WEATHERBOARD DIRECT FIXED CLADDING

Date: 01.09.23

Scale: 1:2

CAD Ref.: TA114SWBW-DS

FACING INFILL OPTION





INSTALLATION DETAIL - ARCHITECTURAL THERMAL HEART 114mm SLIDING WINDOW ON BEVELBACK WEATHERBOARD DIRECT FIXED CLADDING

Date: 01.09.23

Scale: 1:2

CAD Ref.: TA114SWBW-DS2

SILL TRAY OPTION

