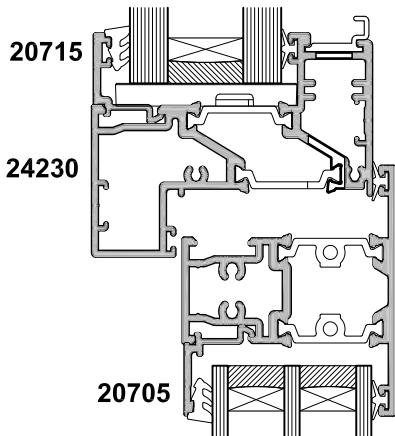
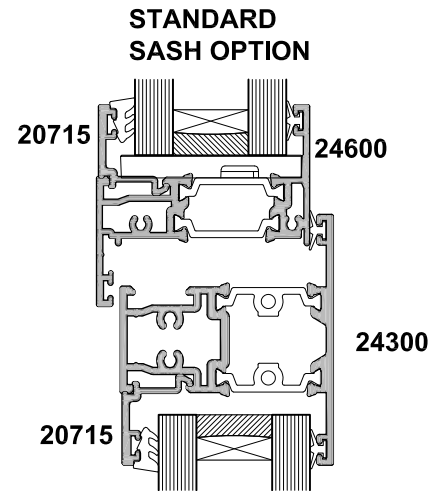
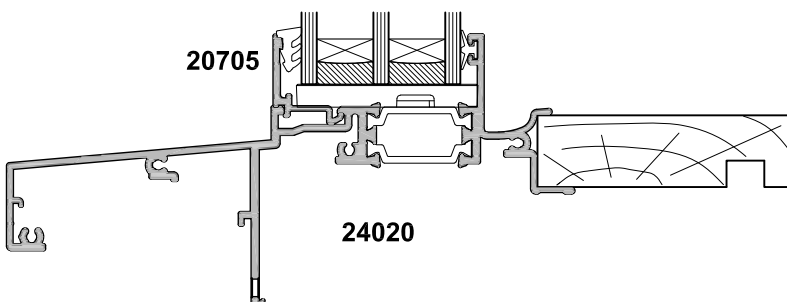


**VENTED SASH  
OPTION**



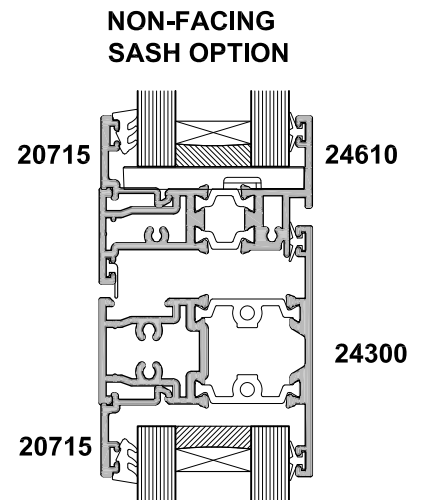
**TRIPLE GLAZE  
OPTION**



**STANDARD  
SASH OPTION**

**SECTION A-A**

**24300 Transom**  
Refer to tables for  
span requirements



**NON-FACING  
SASH OPTION**