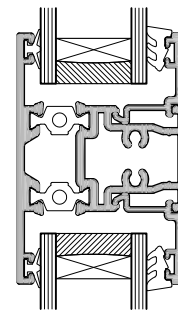
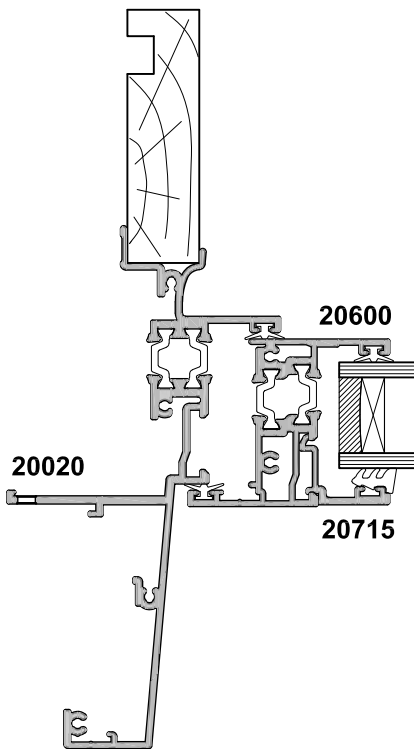


**SECTION A-A**



**20300 Mullion**  
Refer to tables for span requirements



**20300 Mullion**  
Refer to tables for span requirements

