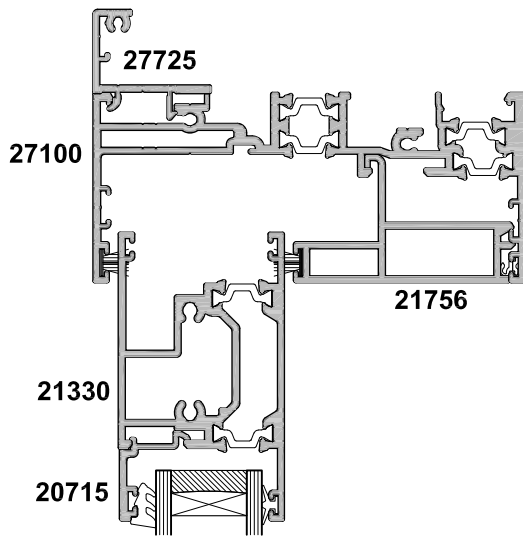
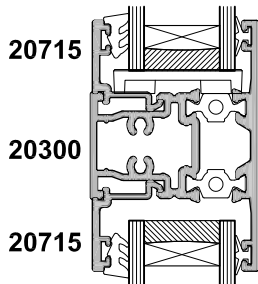
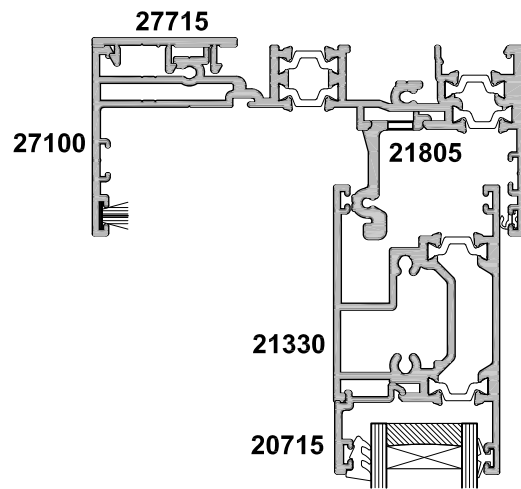


**FLANGE INFILL  
OPTION**

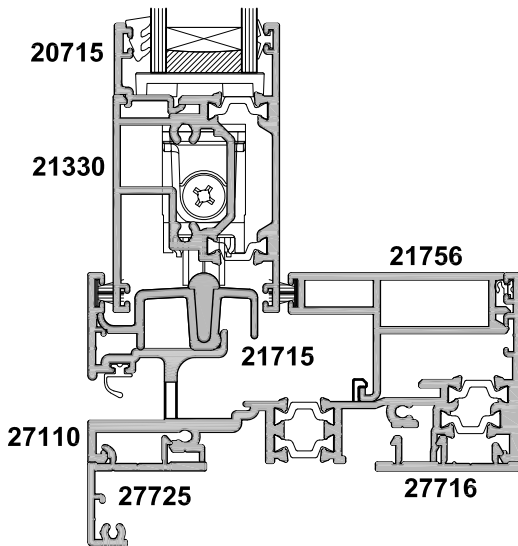
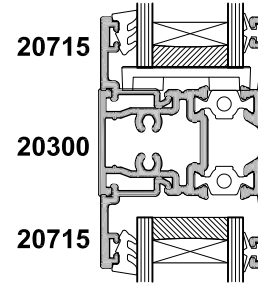


**FLAT INFILL OPTION**

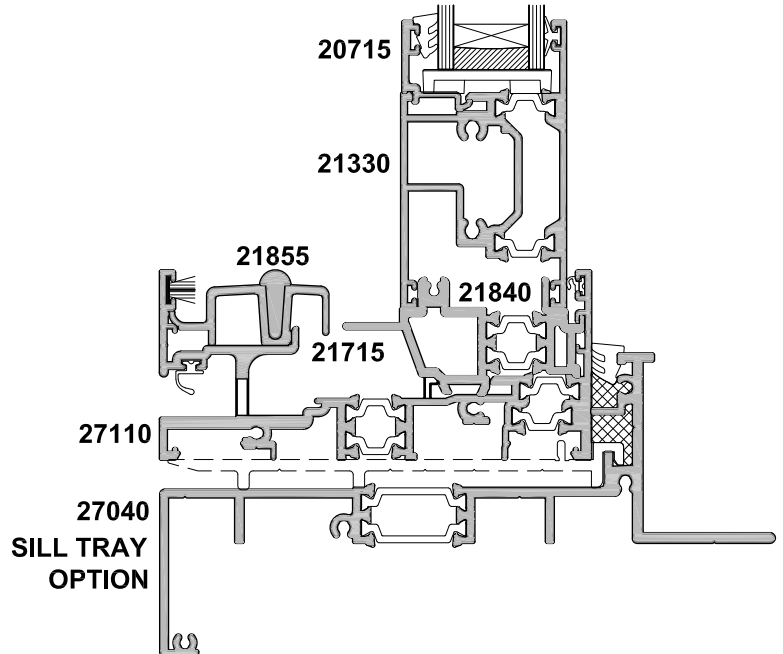


**SECTION A-A**

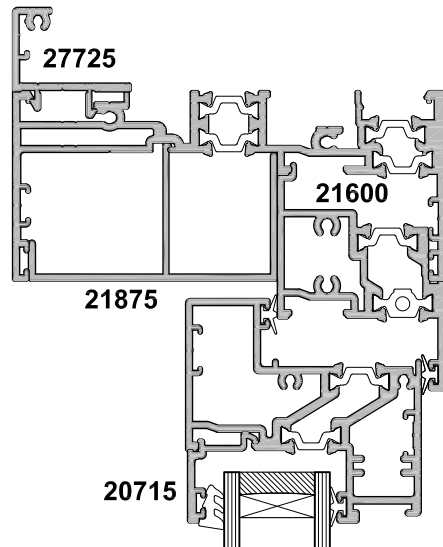
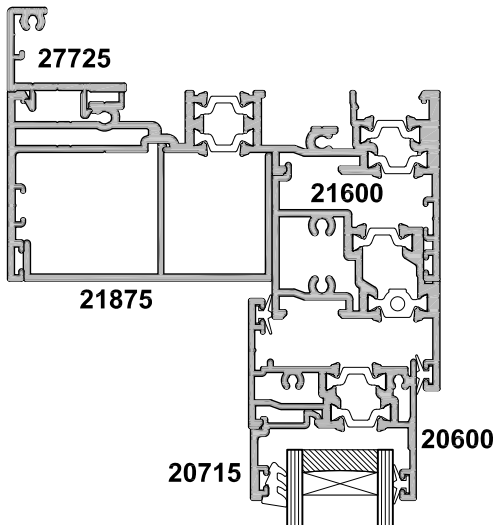
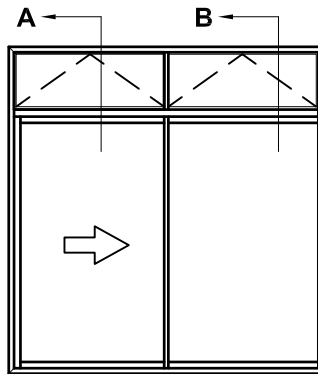
**SECTION B-B**



**FLANGE INFILL  
OPTION**



**27040  
SILL TRAY  
OPTION**

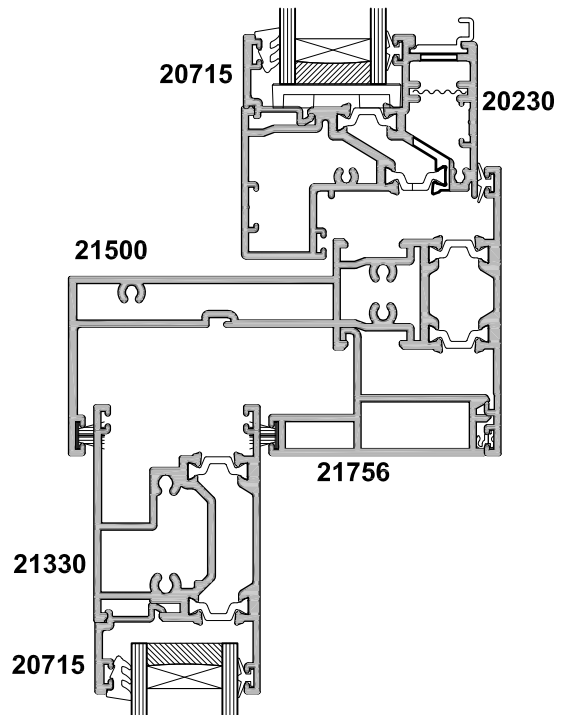
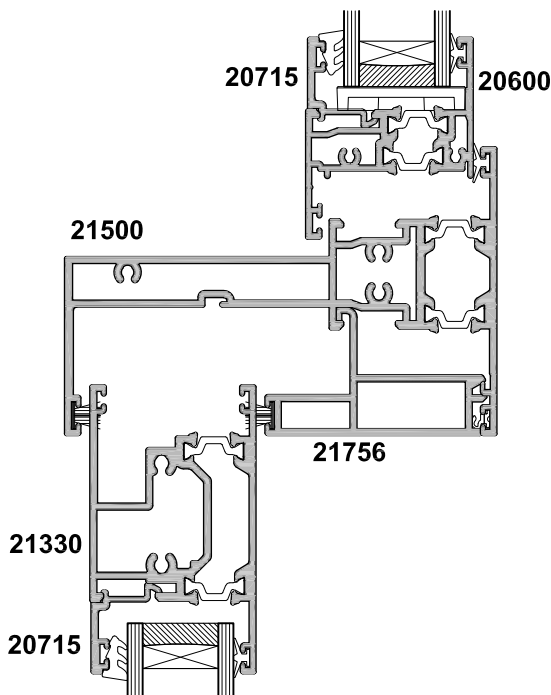


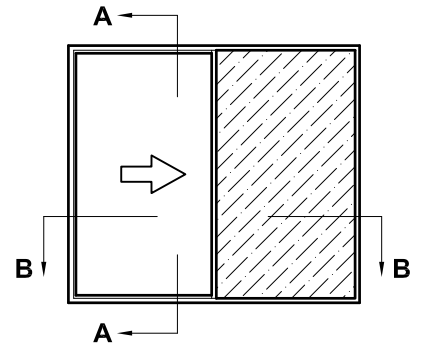
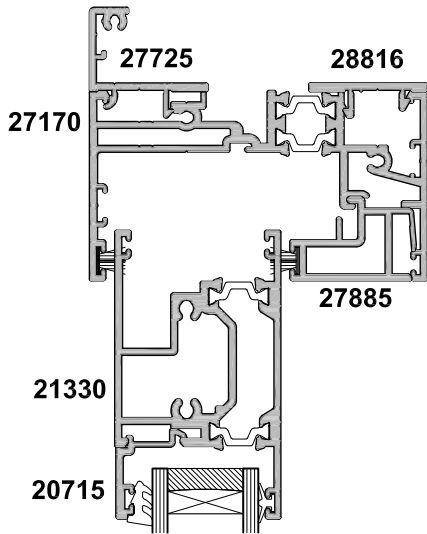
SECTION A-A

STANDARD  
SASH  
OPTION

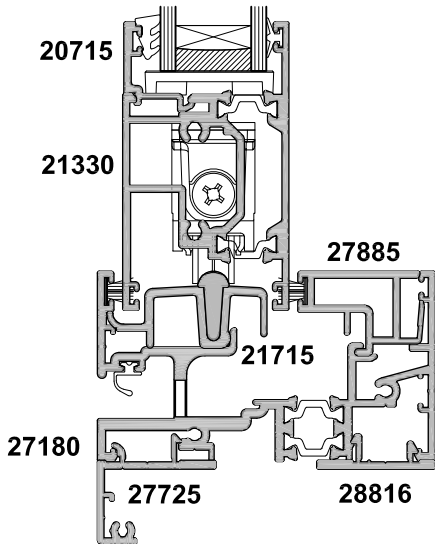
VENTED SASH  
OPTION

SECTION B-B



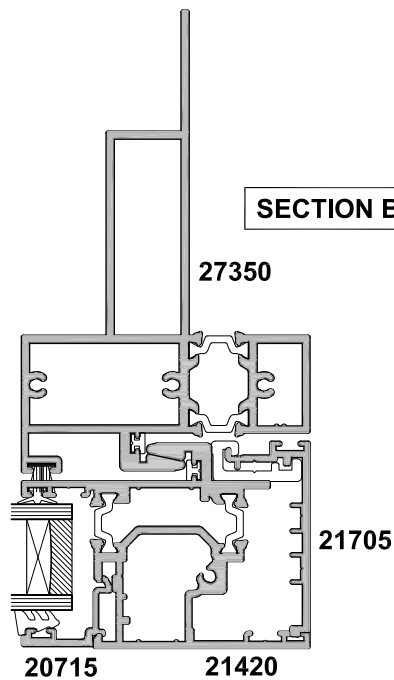
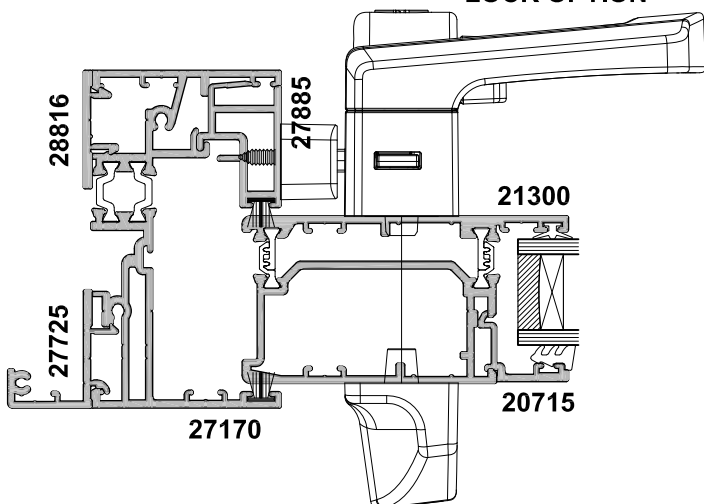


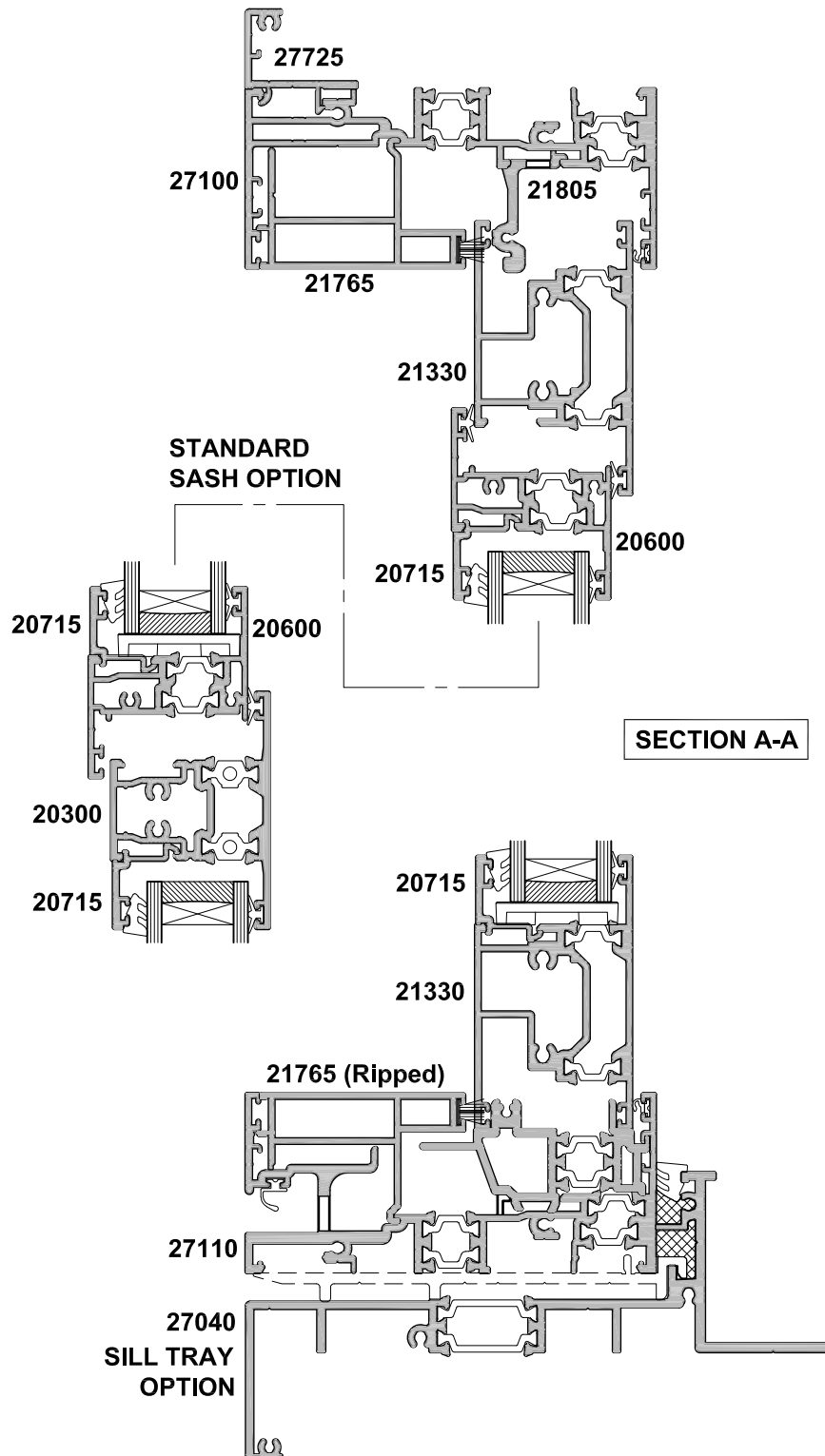
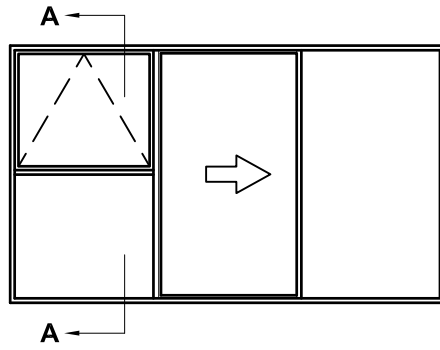
**SECTION A-A**



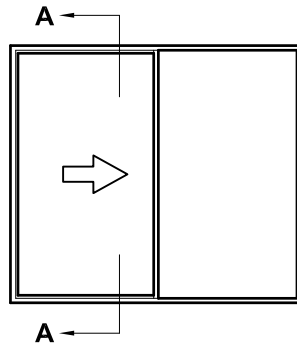
**SECTION B-B**

**SURFACE MOUNT  
LOCK OPTION**

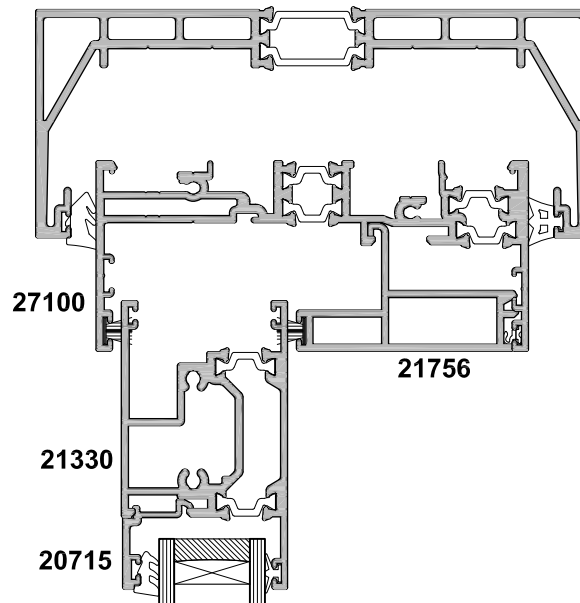




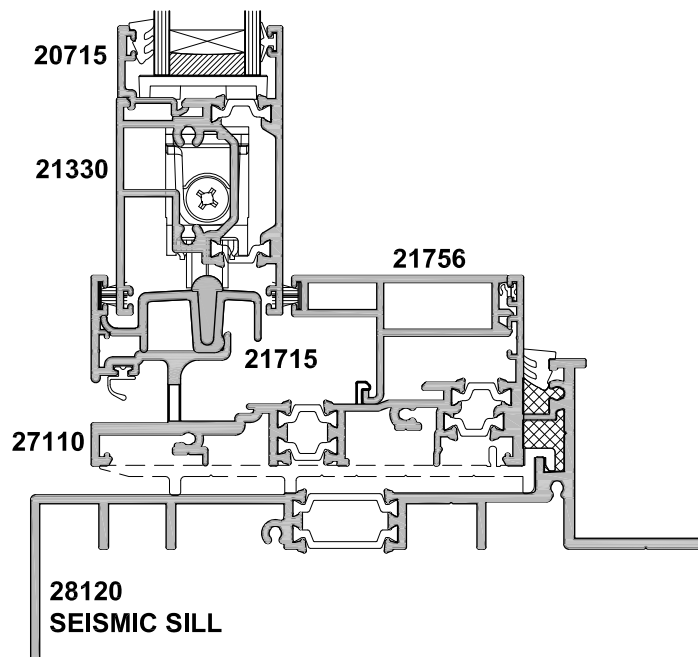




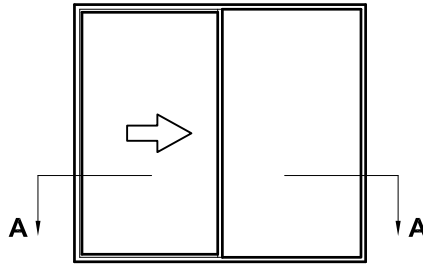
**31010  
SEISMIC HEAD**



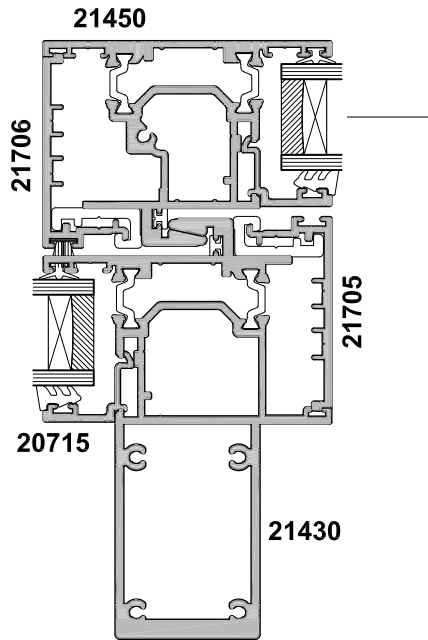
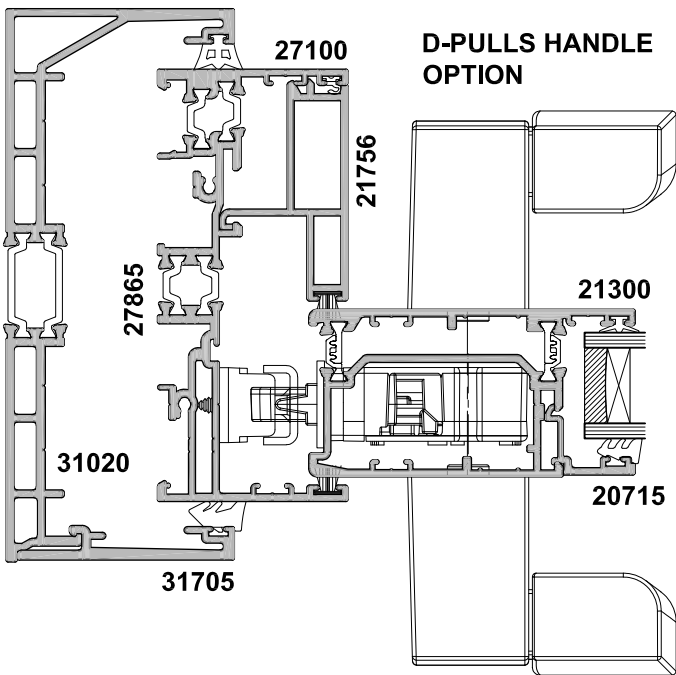
**SECTION A-A**



**28120  
SEISMIC SILL**

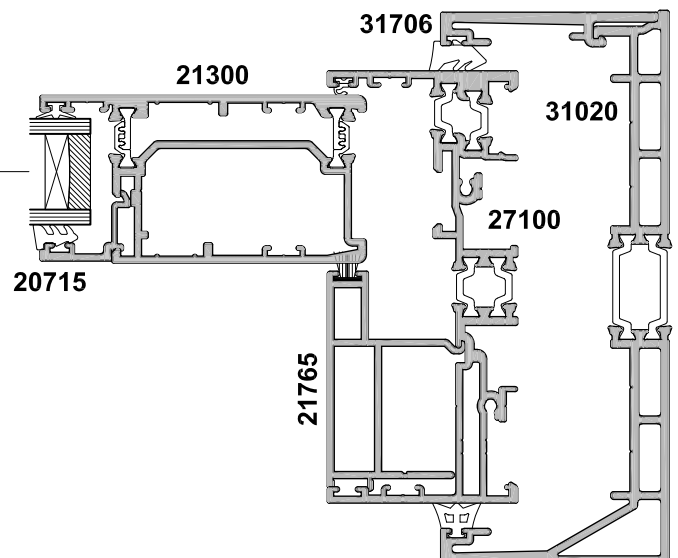


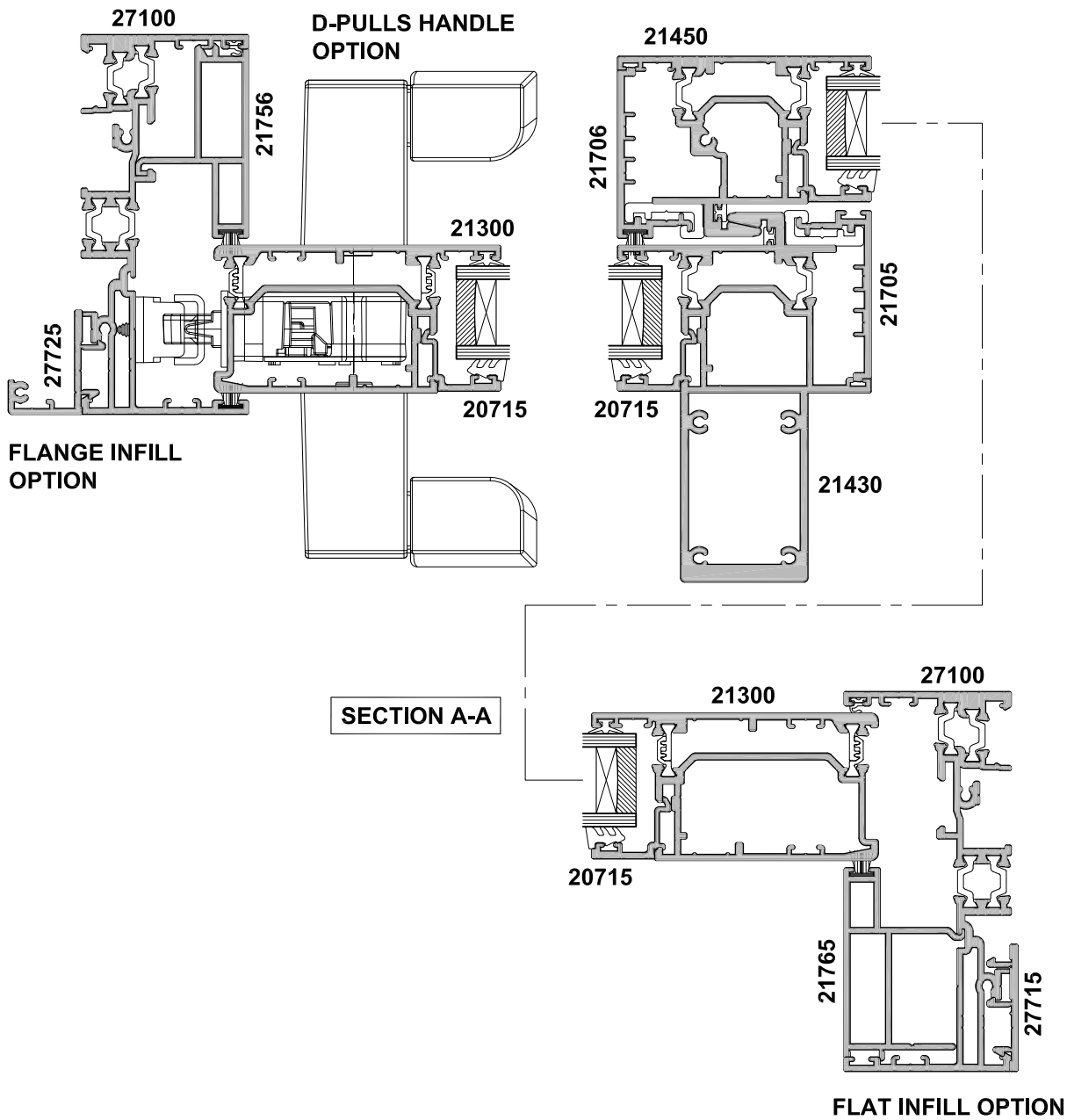
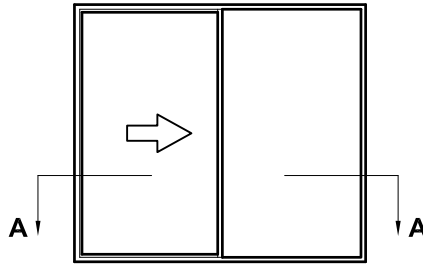
**SEISMIC JAMB  
EXTERNALLY  
BEADED OPTION**

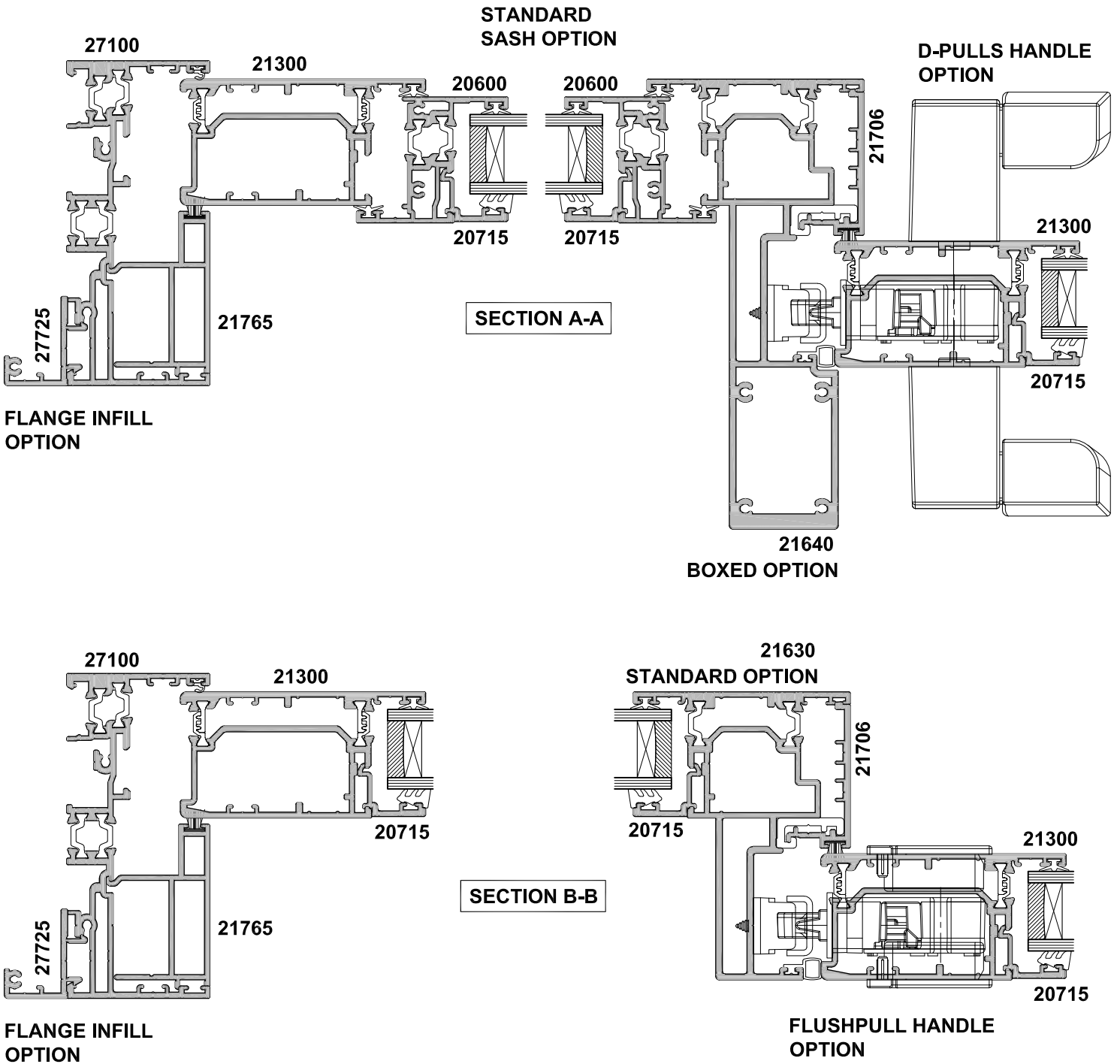
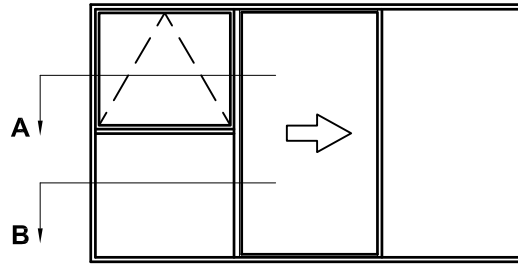


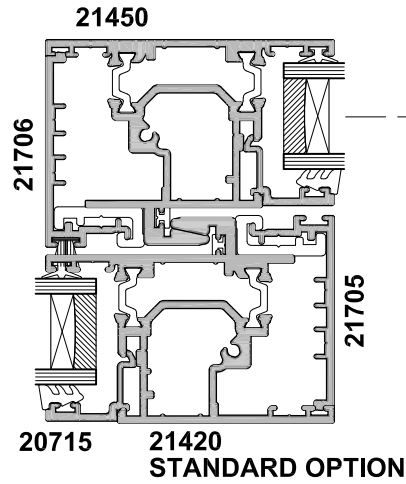
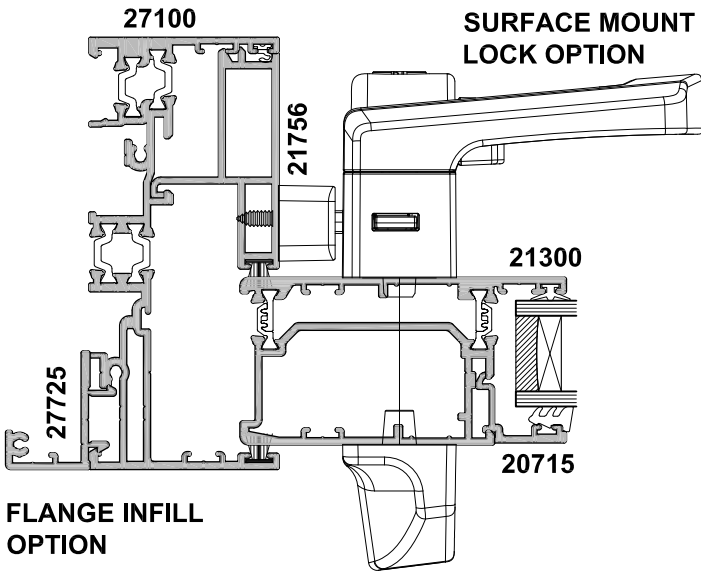
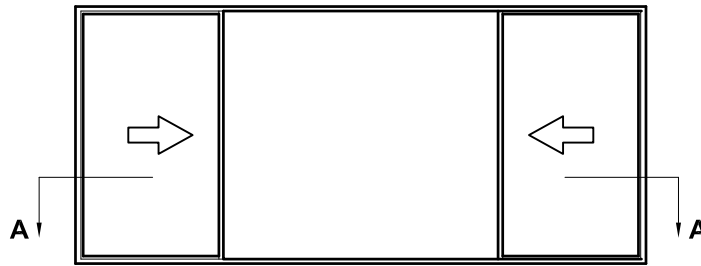
**SECTION A-A**

**SEISMIC JAMB  
INTERNALLY  
BEADED OPTION**

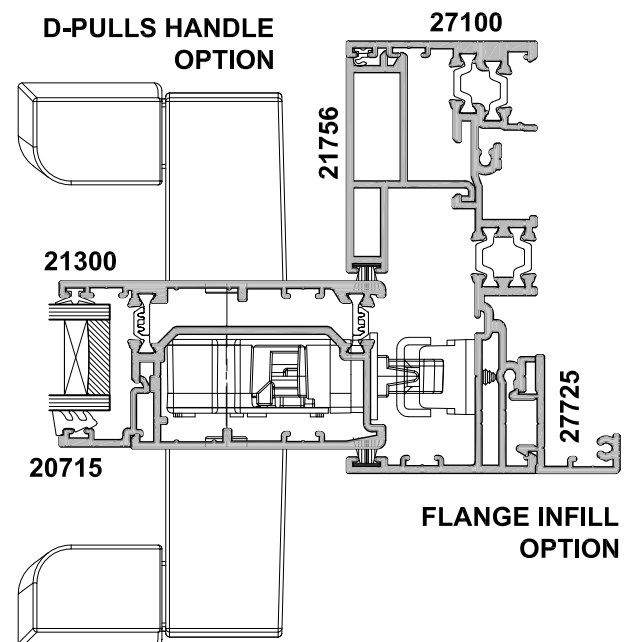
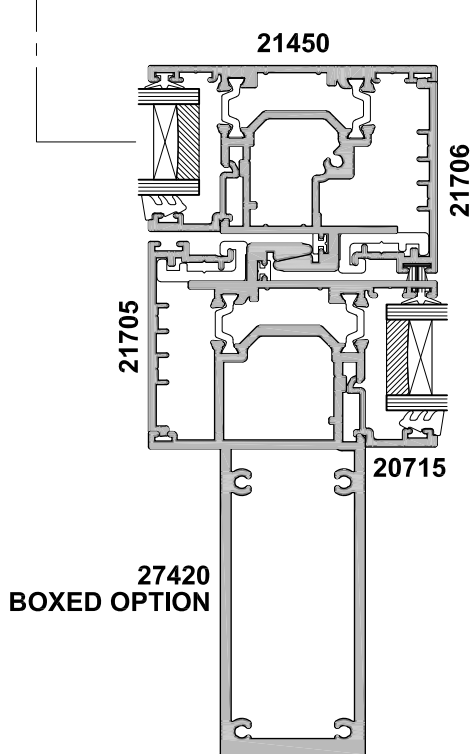


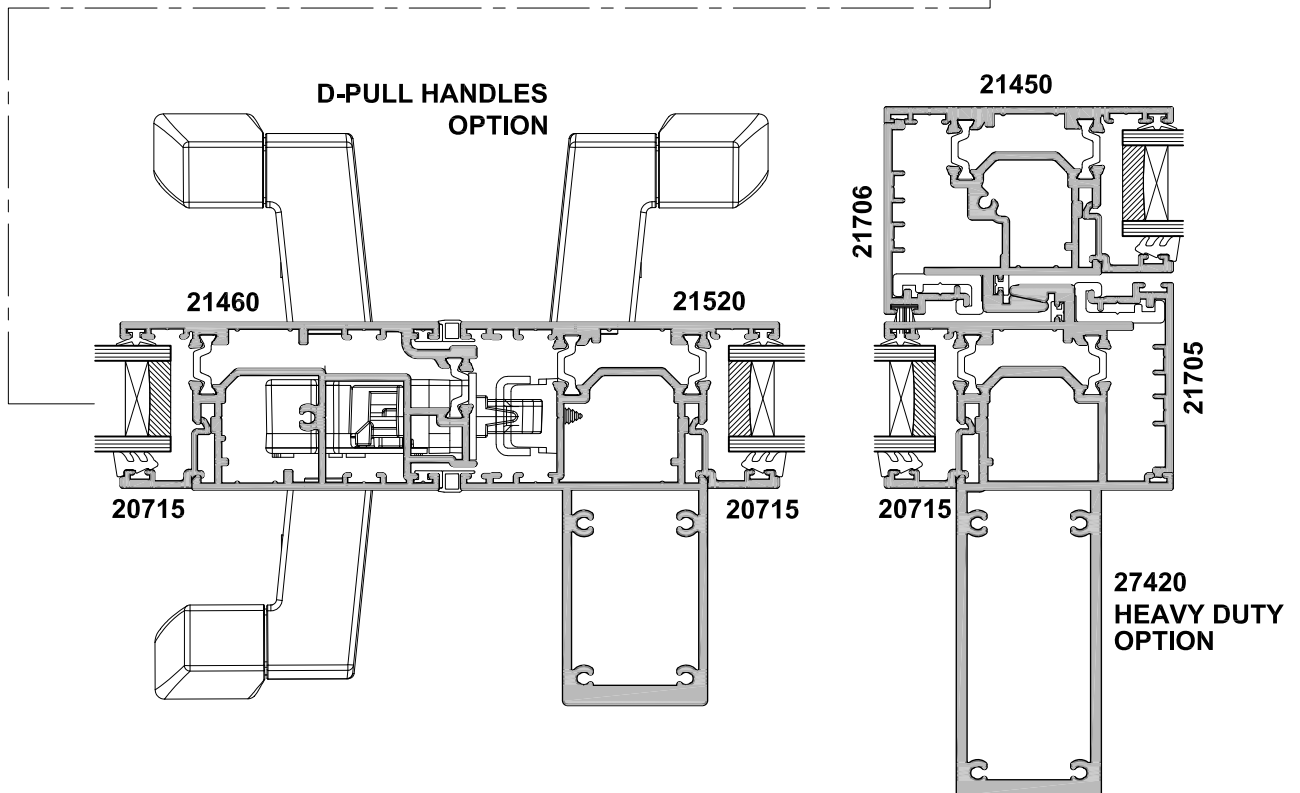
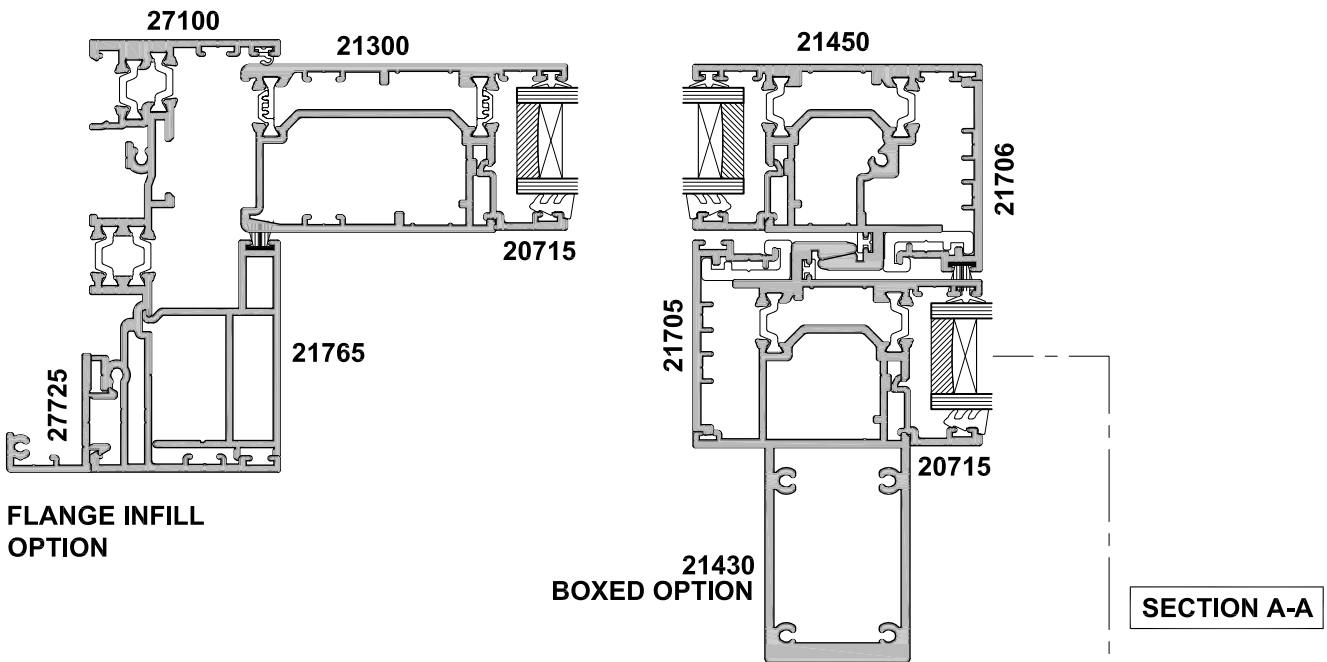
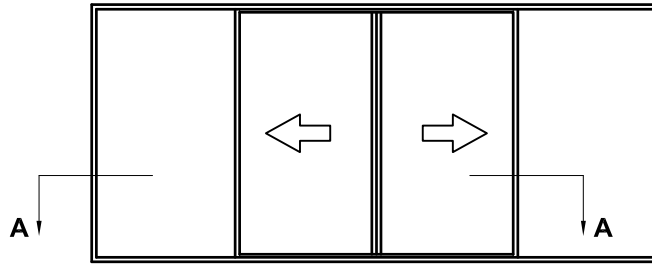


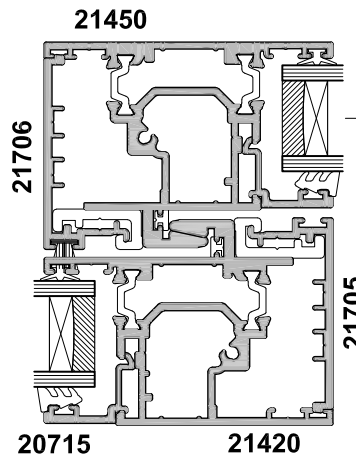
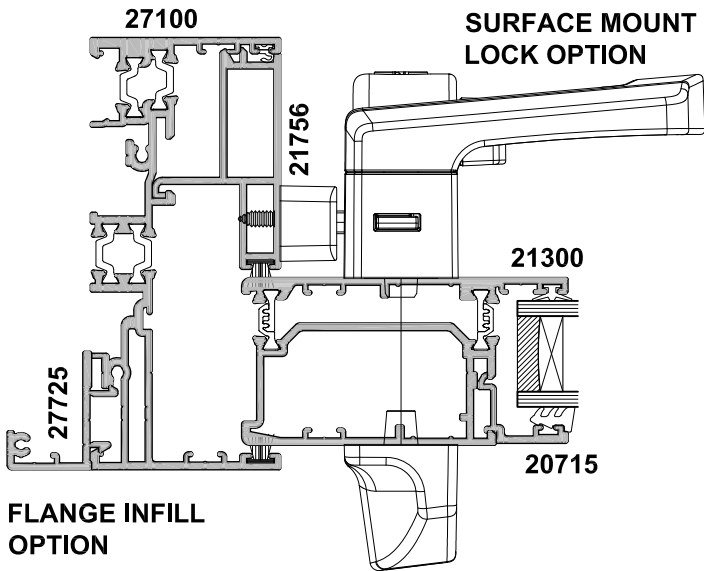
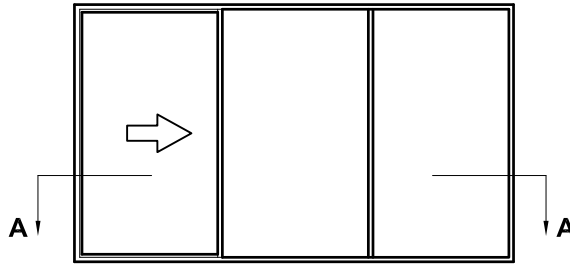




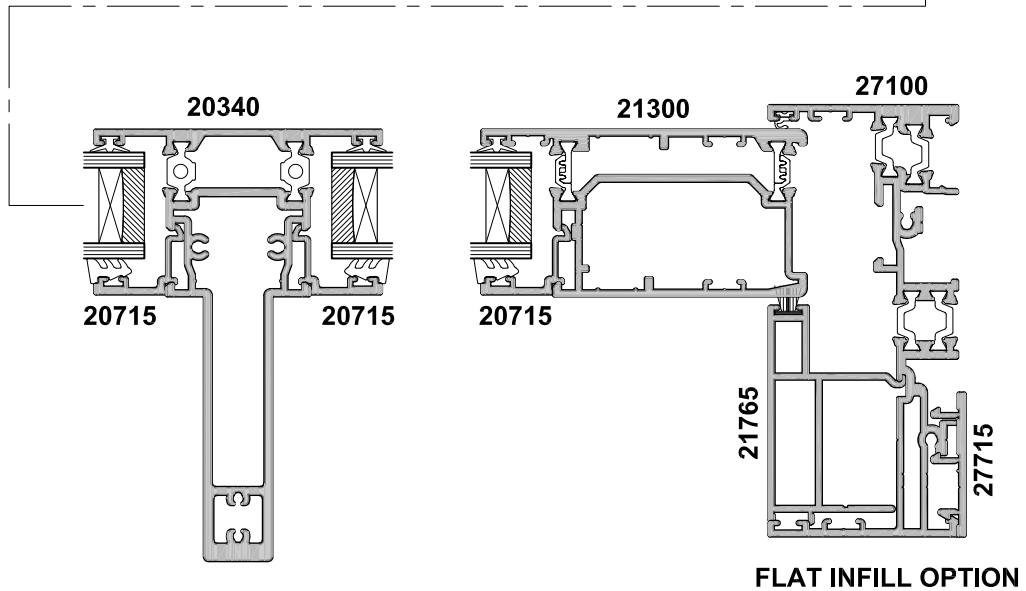
**SECTION A-A**

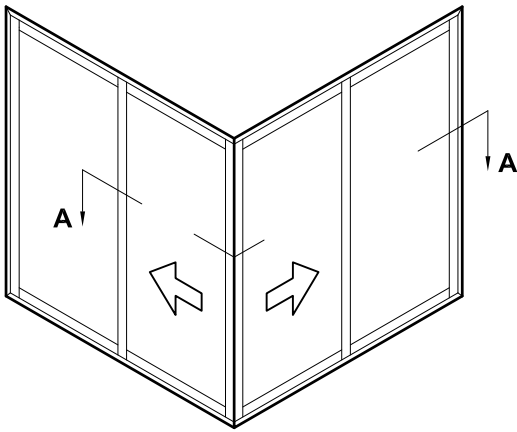






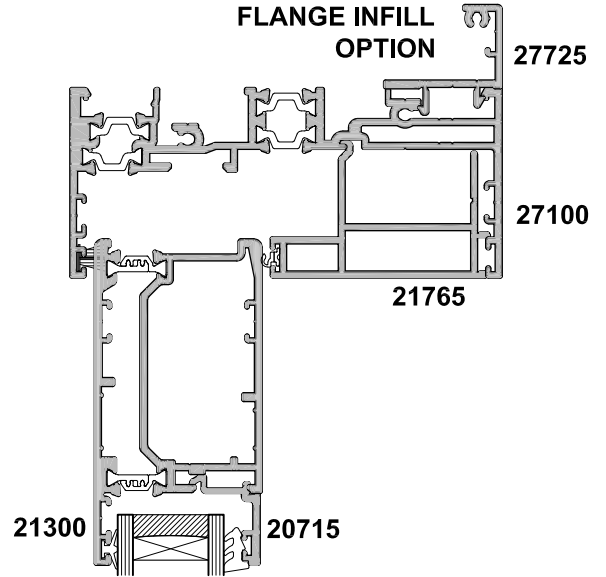
**SECTION A-A**



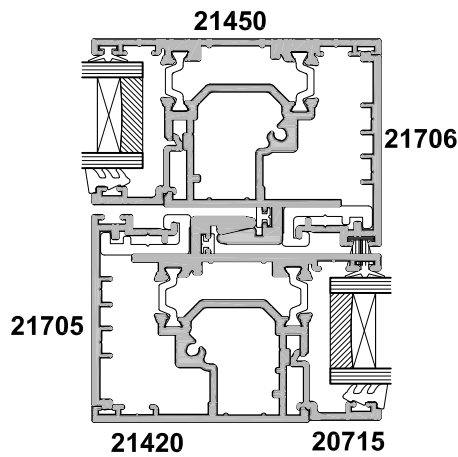
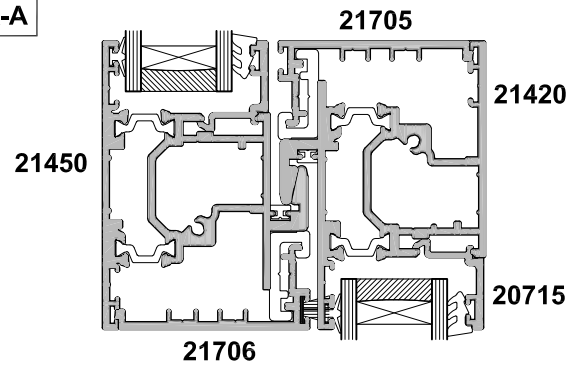


**EXTERNAL 90°  
CORNER**

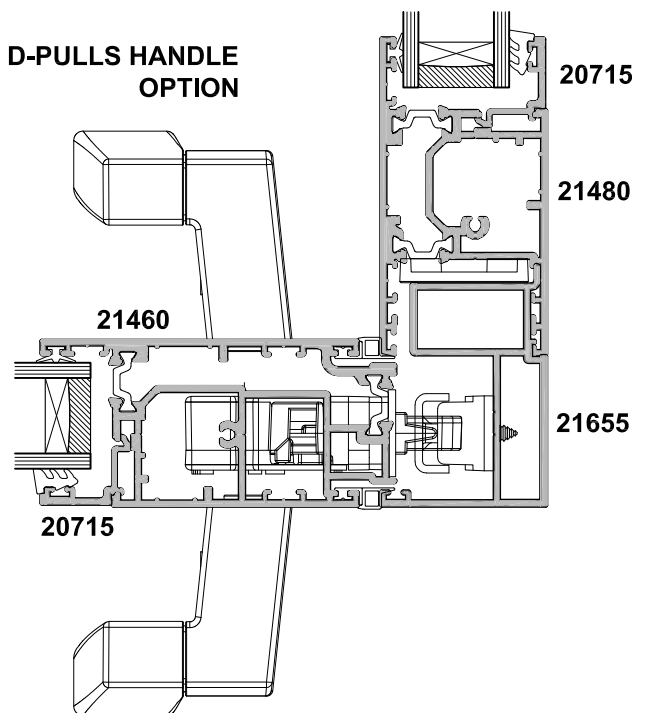
**FLANGE INFILL  
OPTION**



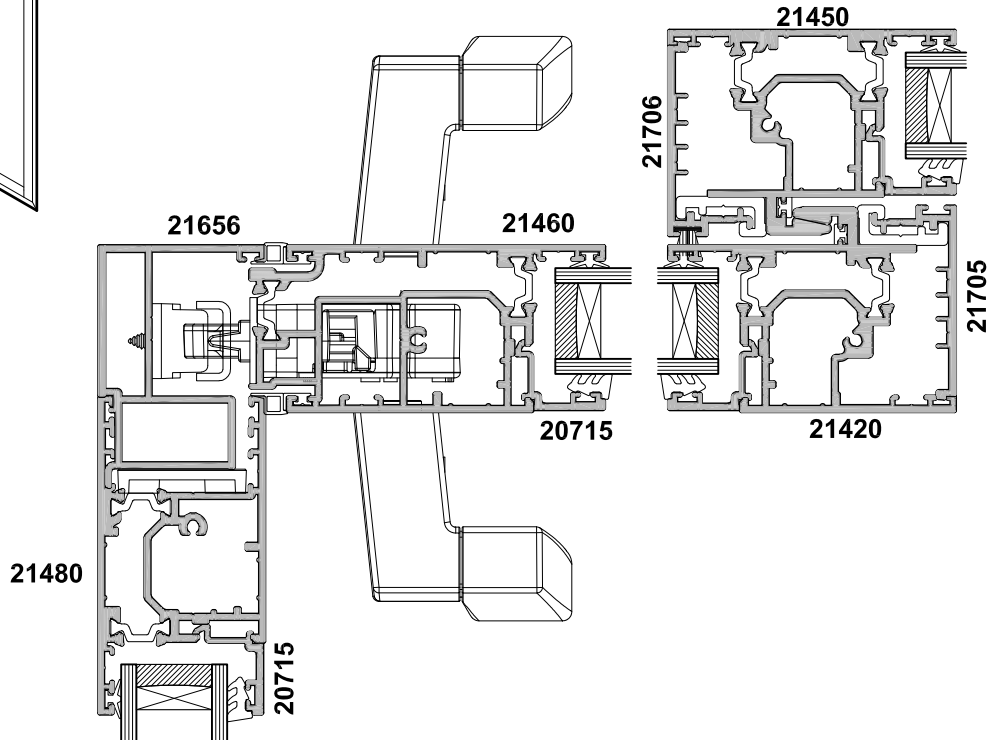
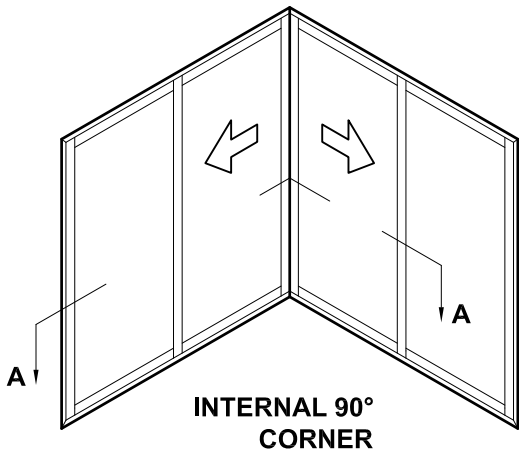
**SECTION A-A**



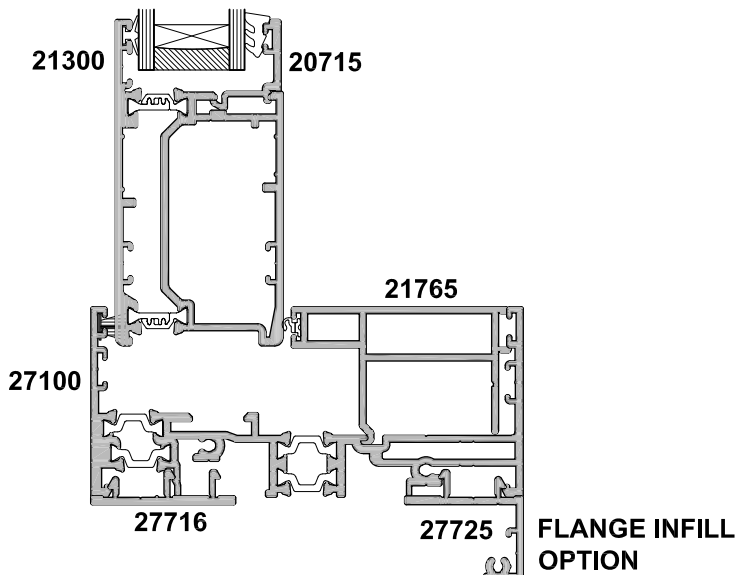
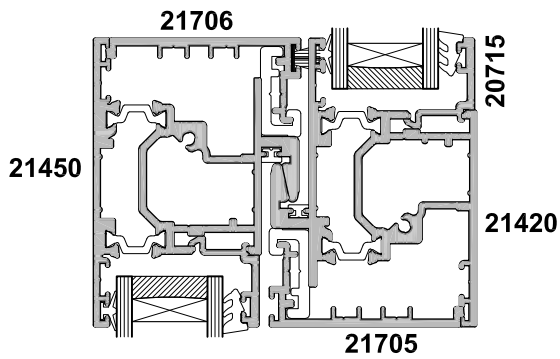
**D-PULLS HANDLE  
OPTION**

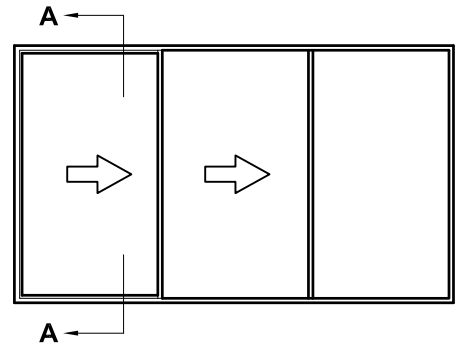




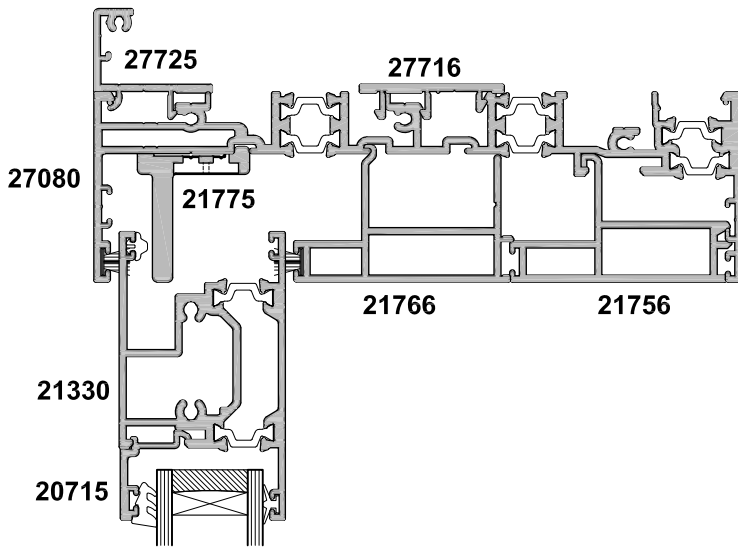


**SECTION A-A**

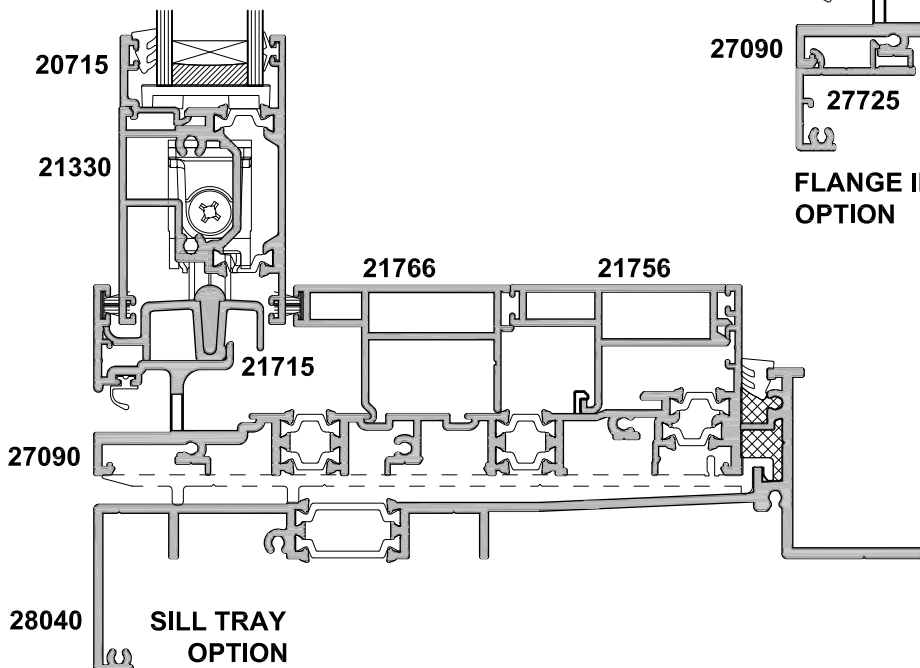




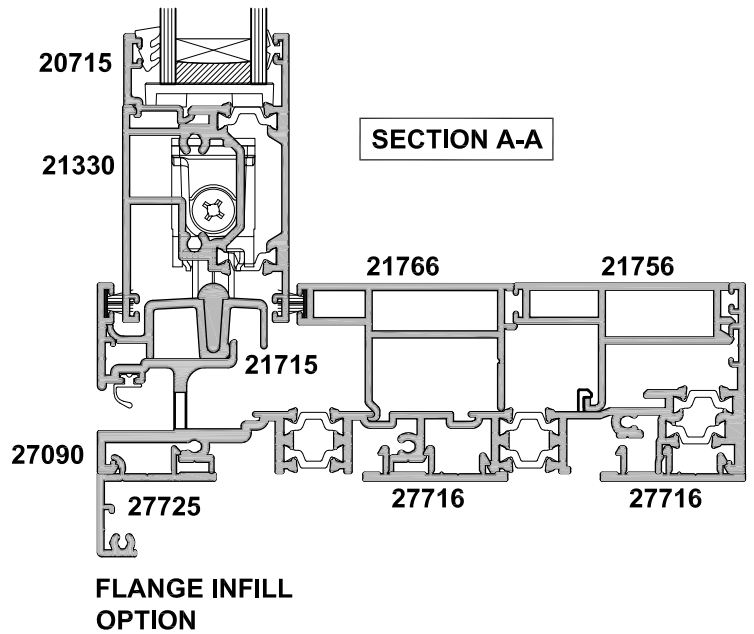
**FLANGE INFILL  
OPTION**



**SECTION A-A**

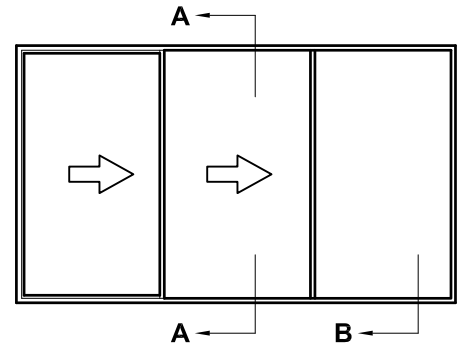


**SILL TRAY  
OPTION**

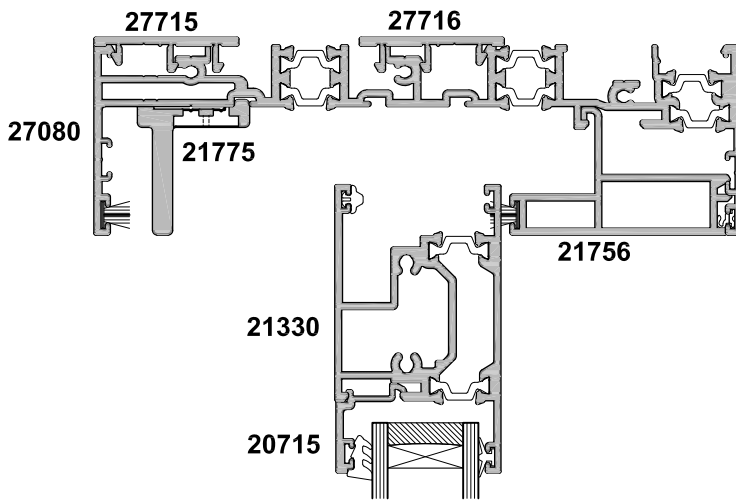


**SECTION A-A**

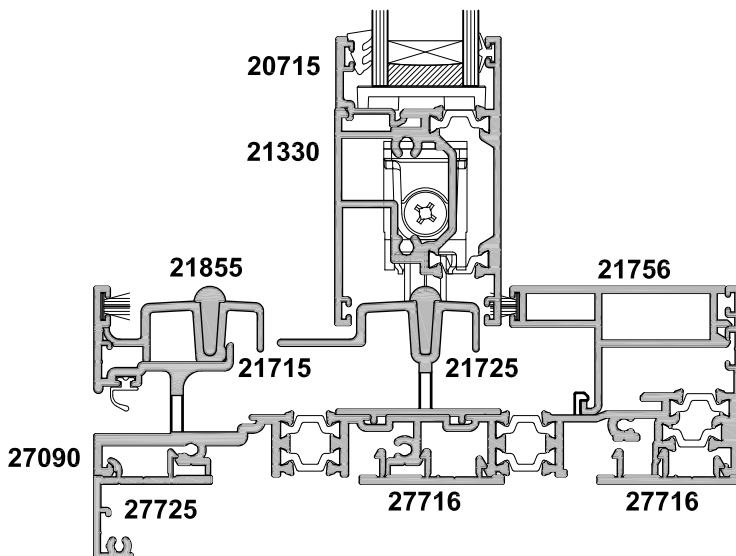
**FLANGE INFILL  
OPTION**



**FLAT INFILL OPTION**

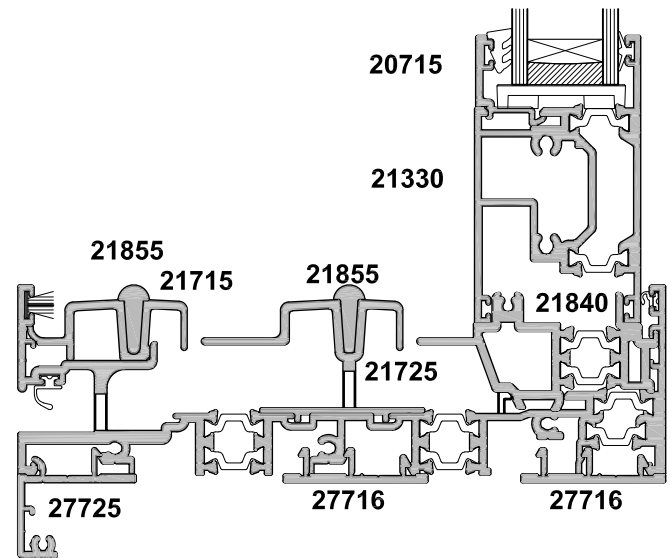


**SECTION A-A**

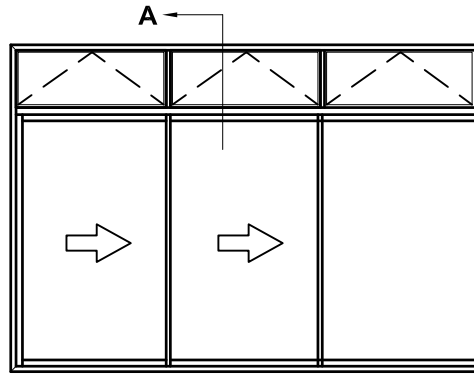


**FLANGE INFILL  
OPTION**

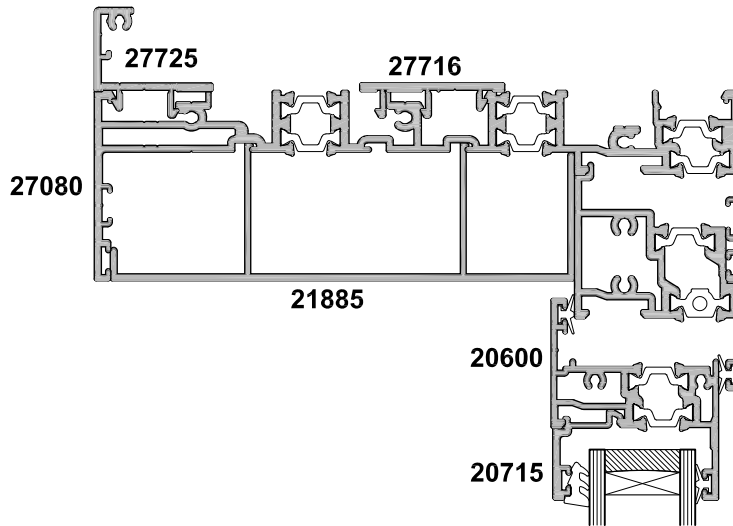
**SECTION B-B**



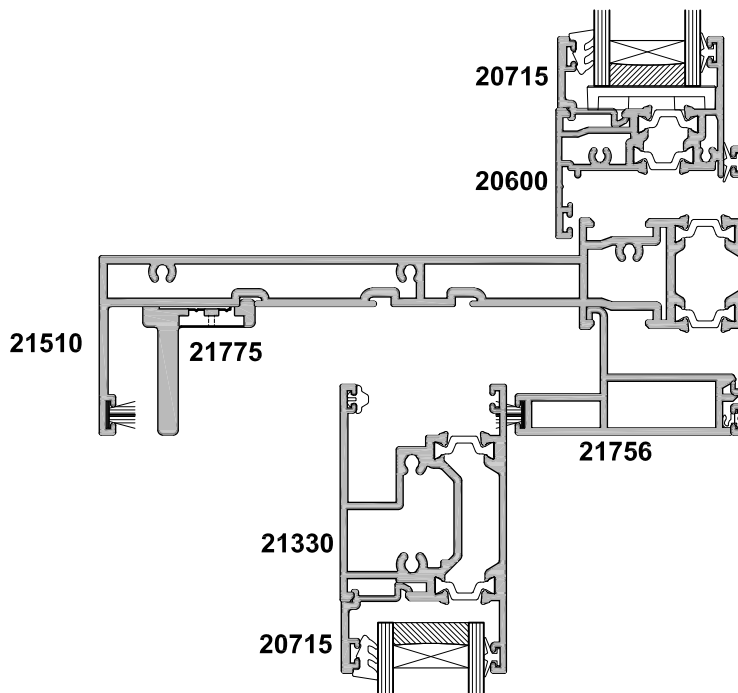
**FLANGE INFILL  
OPTION**

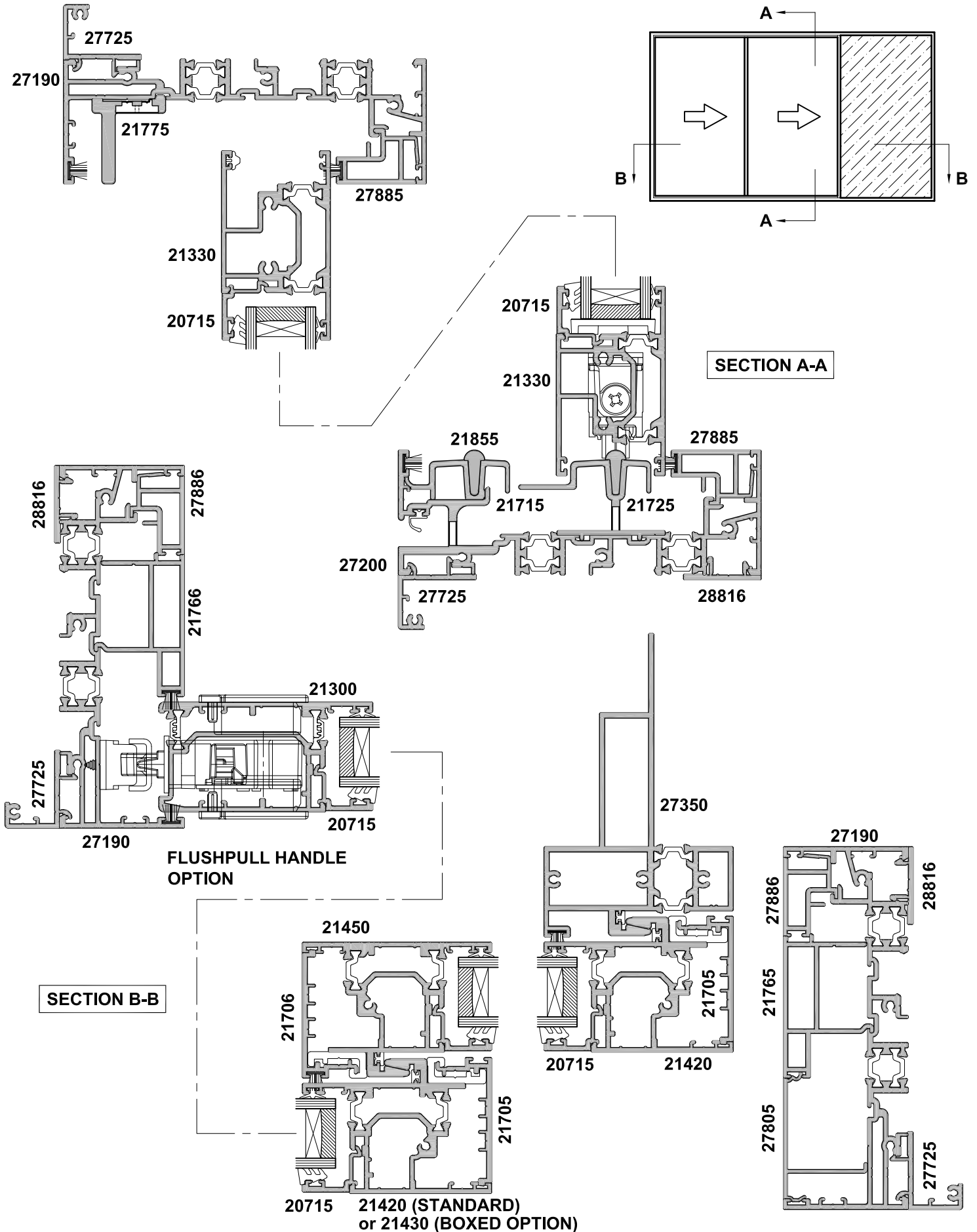


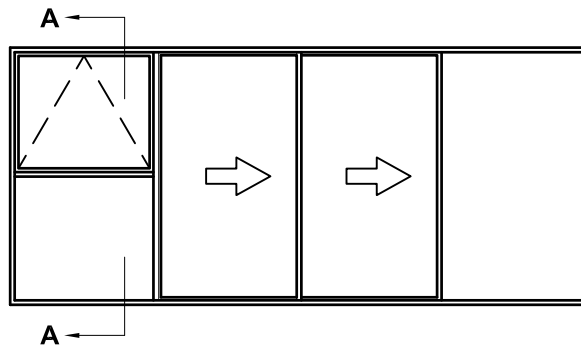
**FLANGE INFILL  
OPTION**



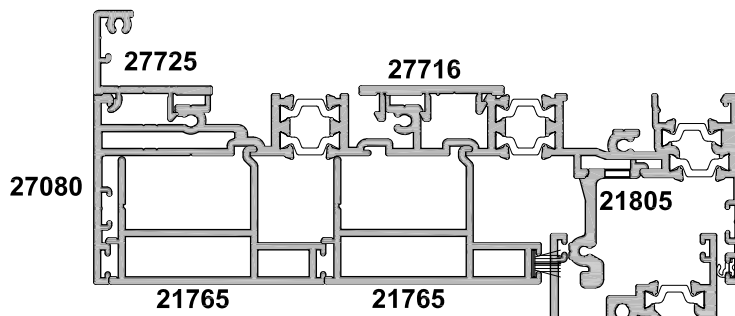
**STANDARD  
SASH OPTION**





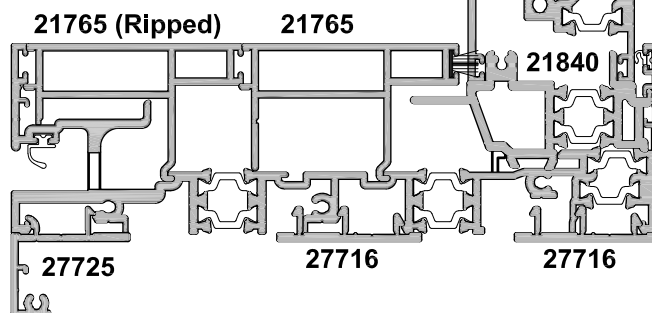
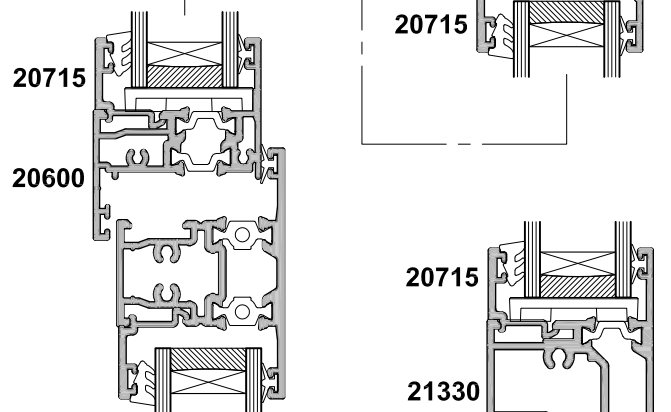


**FLANGE INFILL  
OPTION**

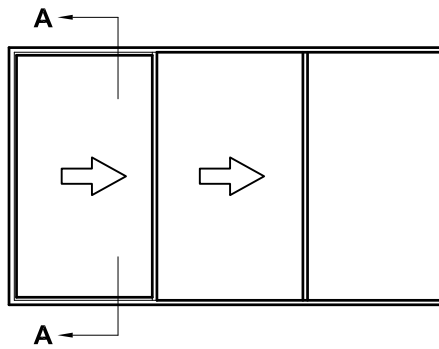


**STANDARD  
SASH OPTION**

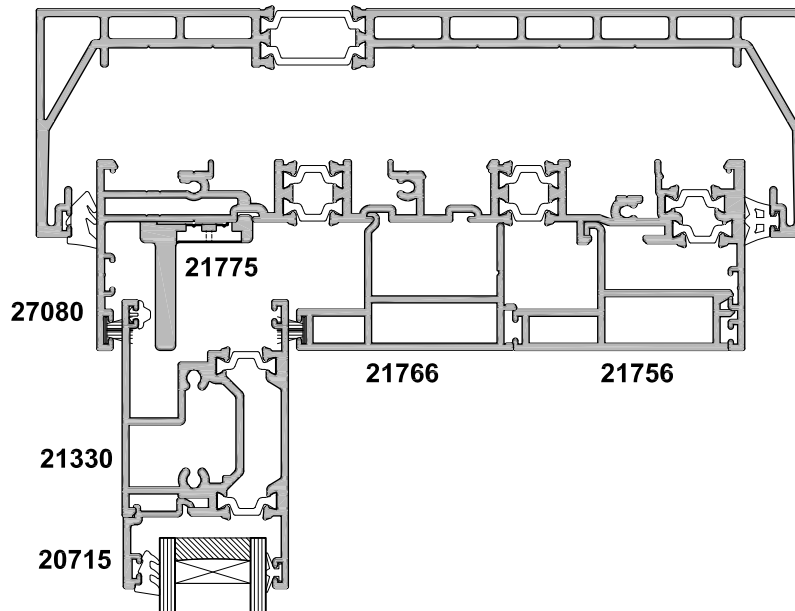
**SECTION A-A**



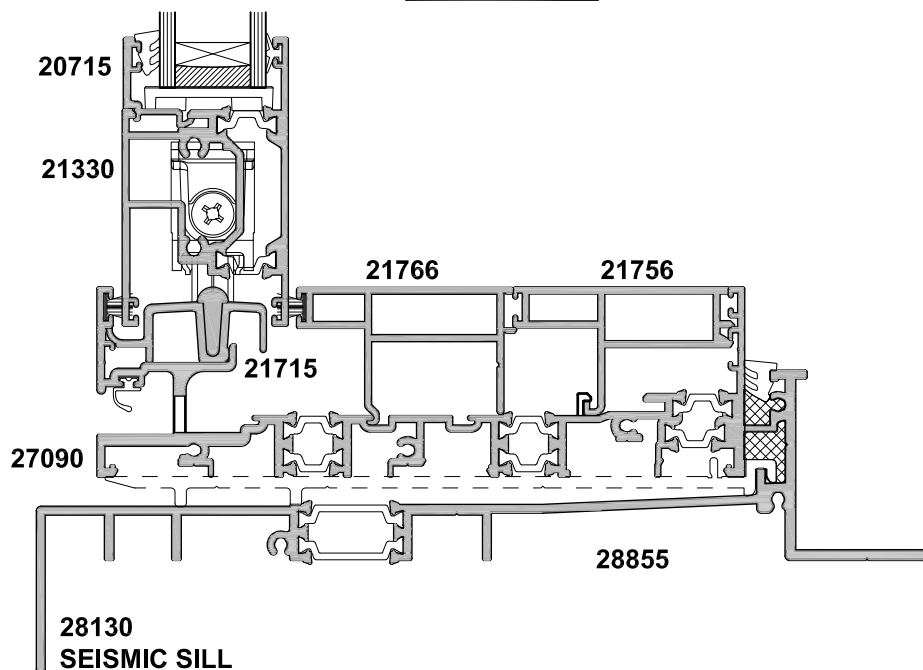
**FLANGE INFILL  
OPTION**



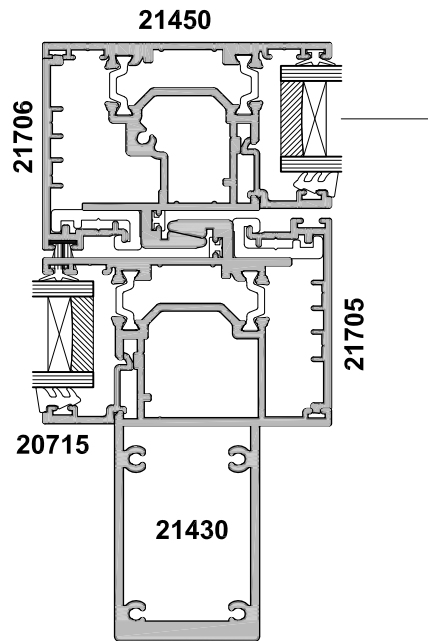
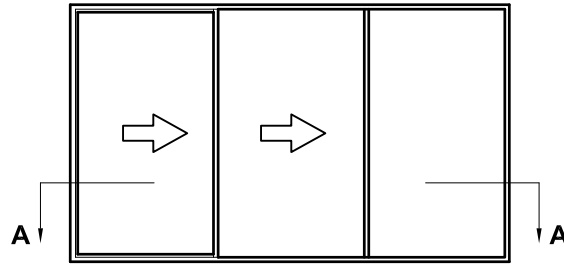
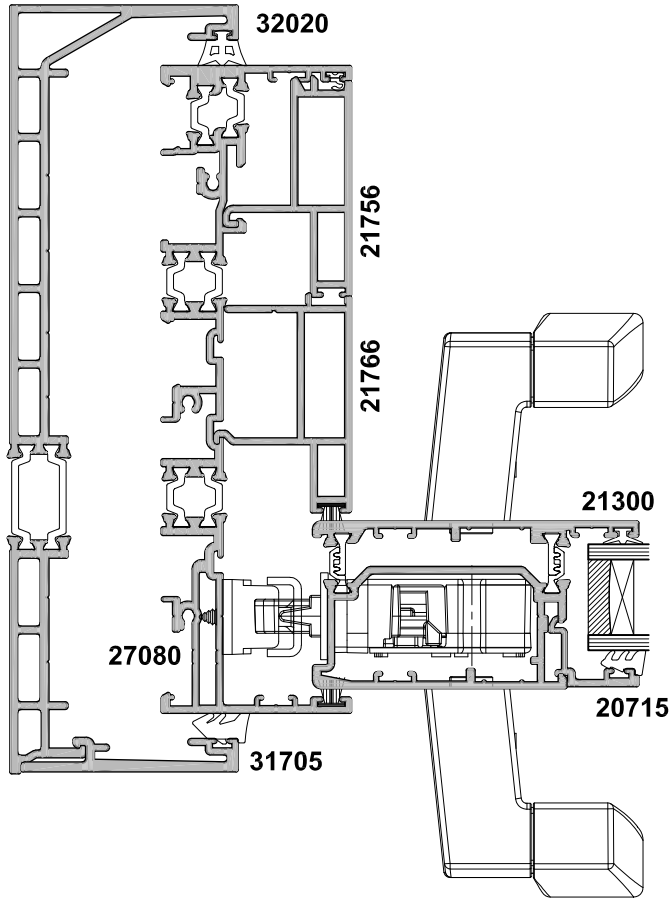
**32010  
SEISMIC HEAD**



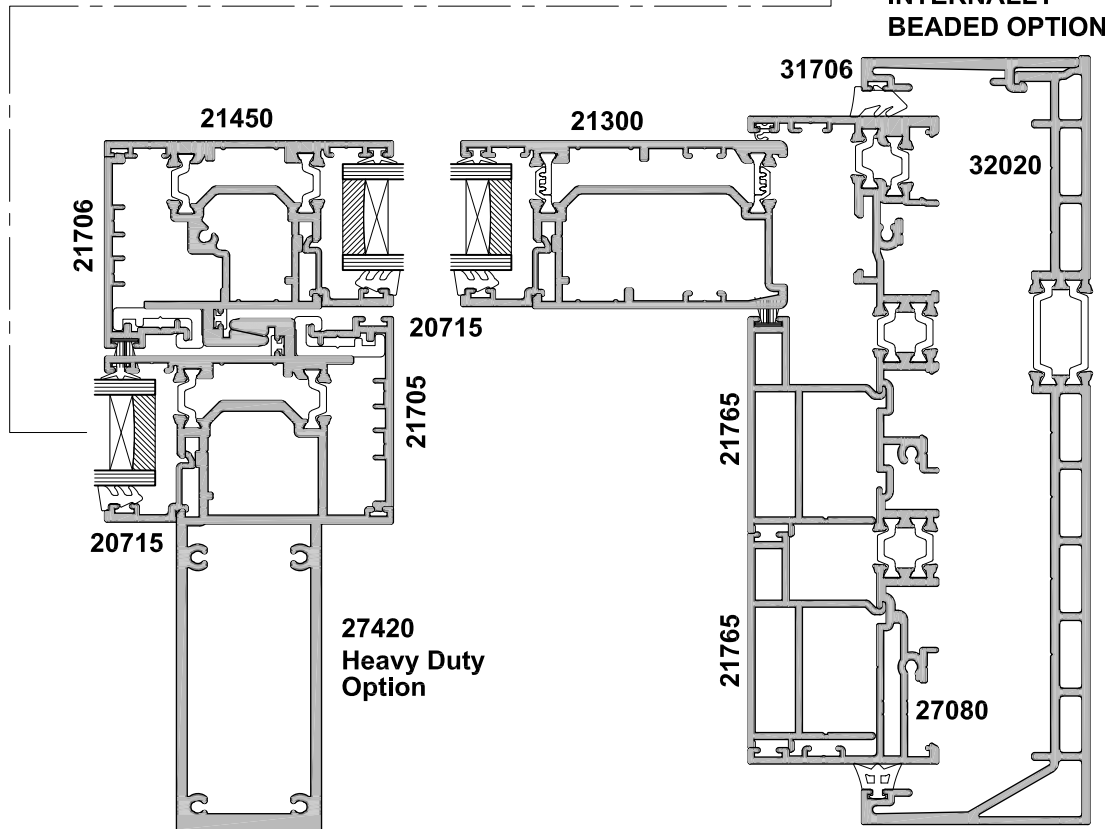
**SECTION A-A**



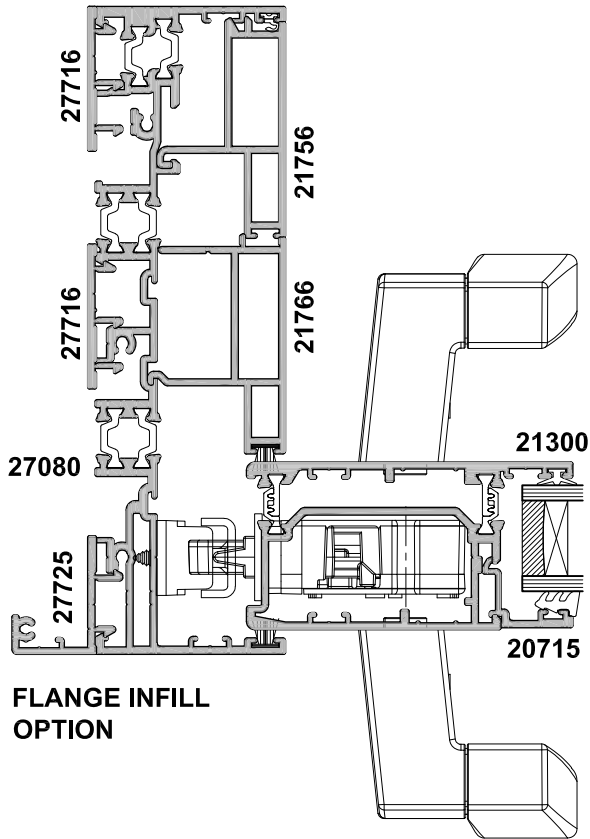
**SEISMIC JAMB  
EXTERNALLY  
BEADED OPTION**



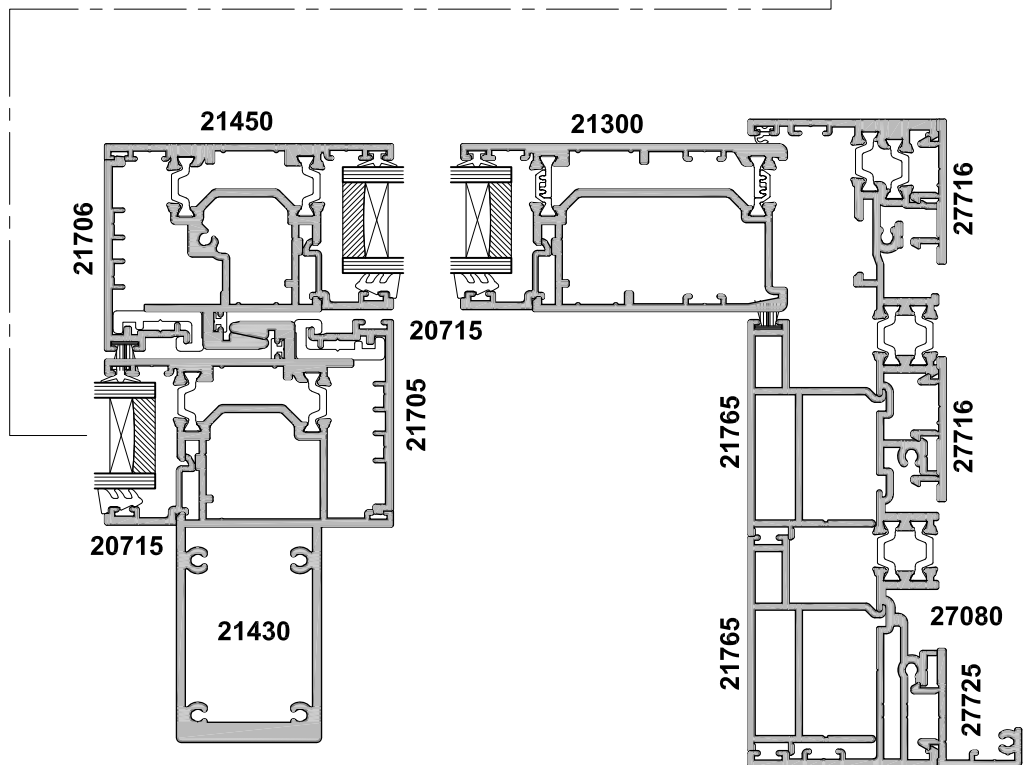
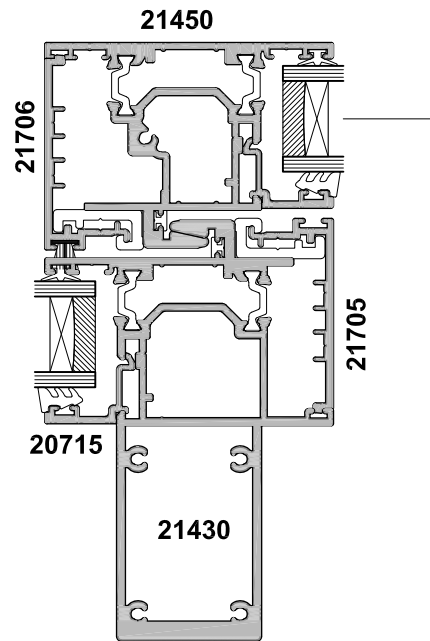
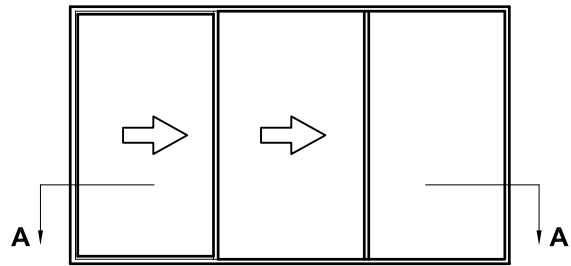
**SEISMIC JAMB  
INTERNALLY  
BEADED OPTION**



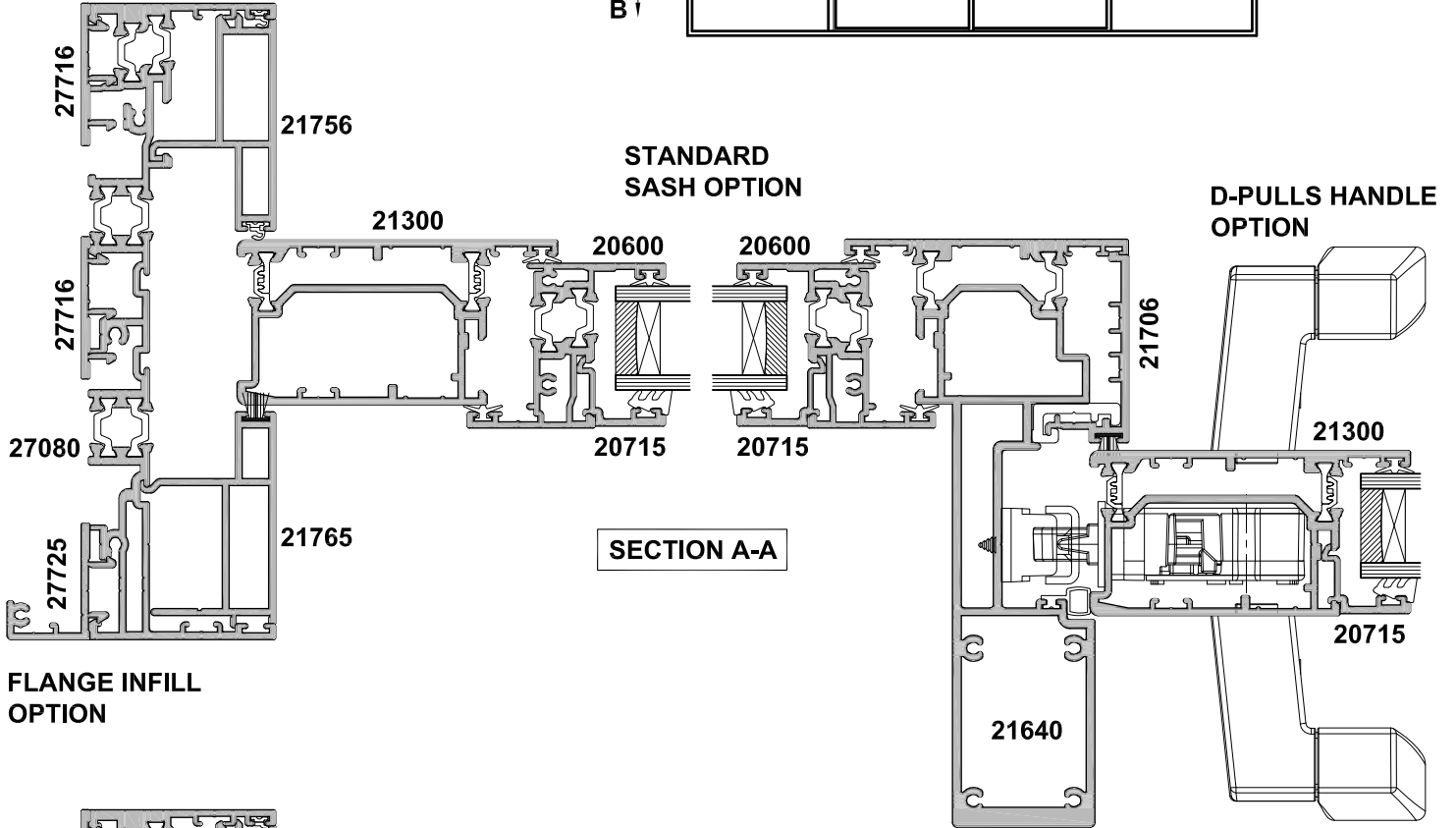
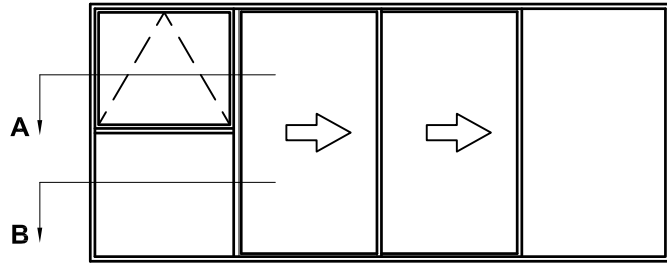




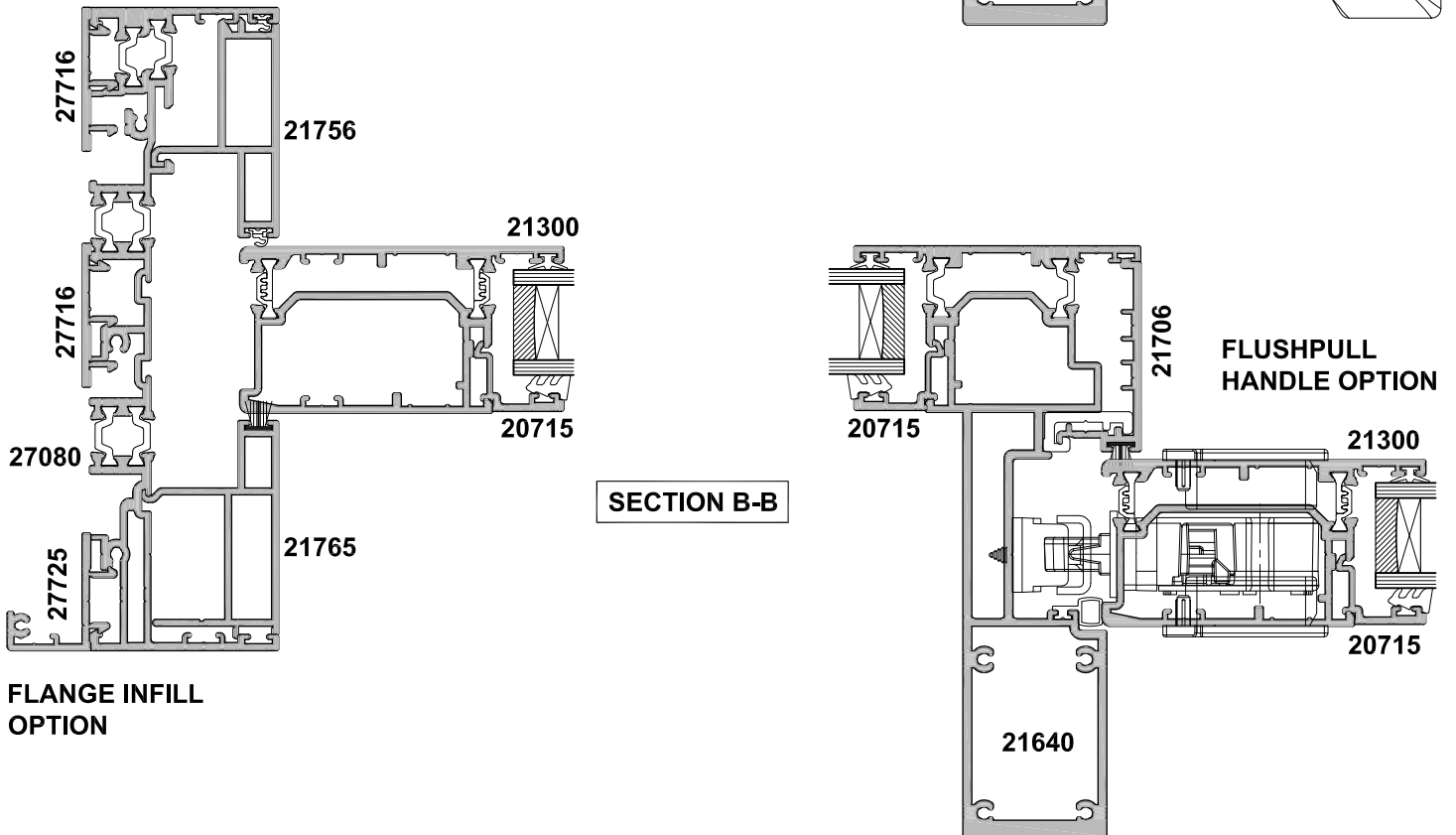
**FLANGE INFILL  
OPTION**



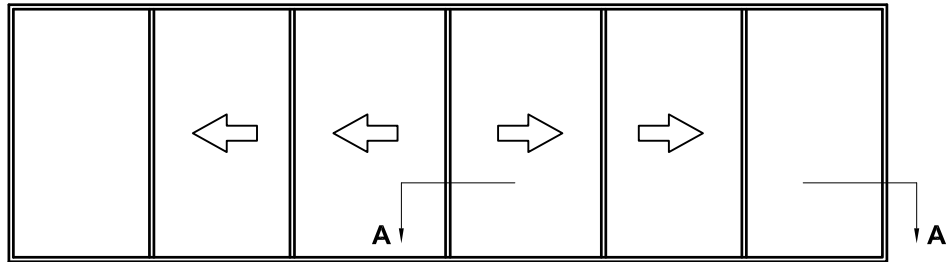
**FLANGE INFILL OPTION**



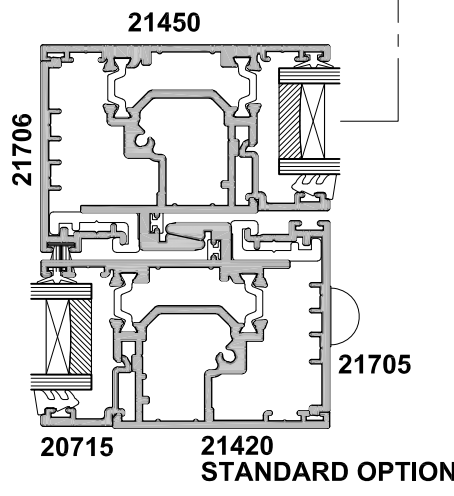
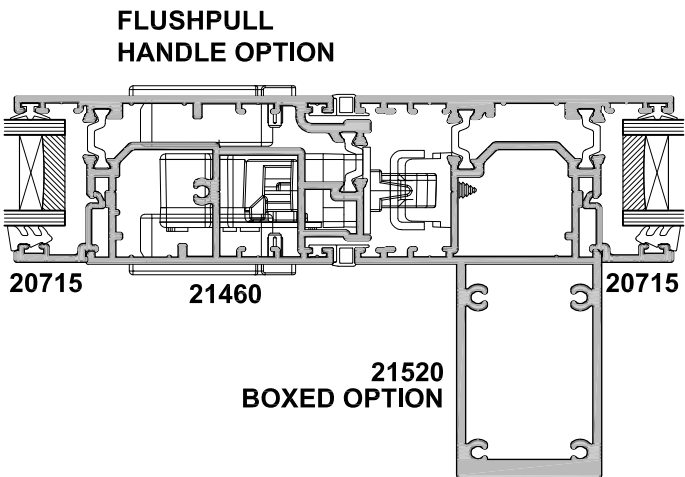
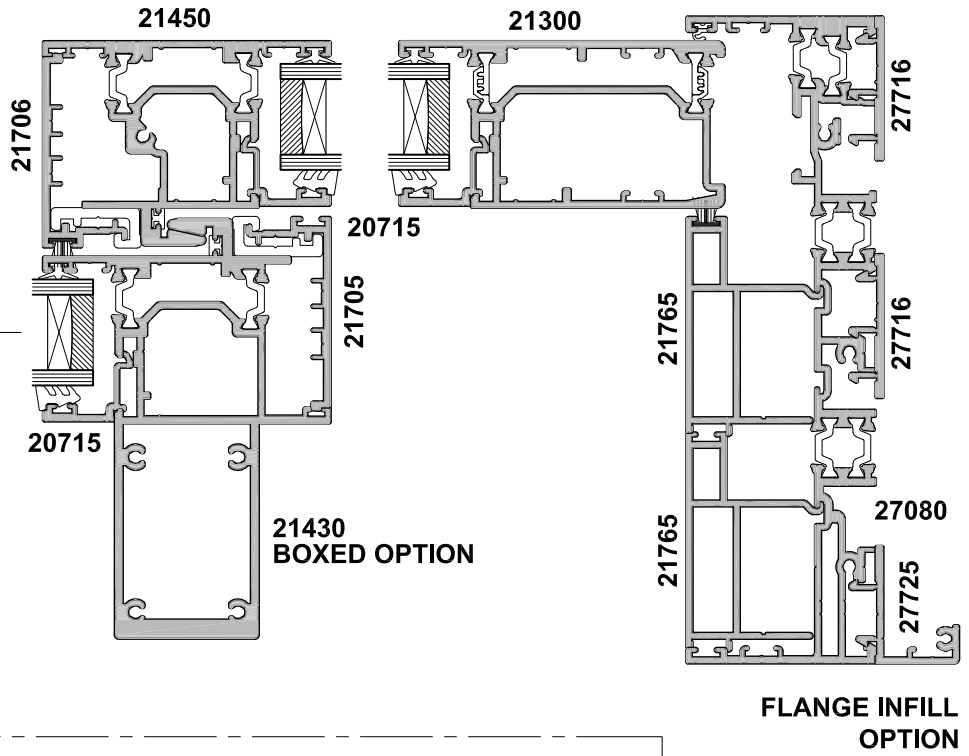
**FLANGE INFILL OPTION**

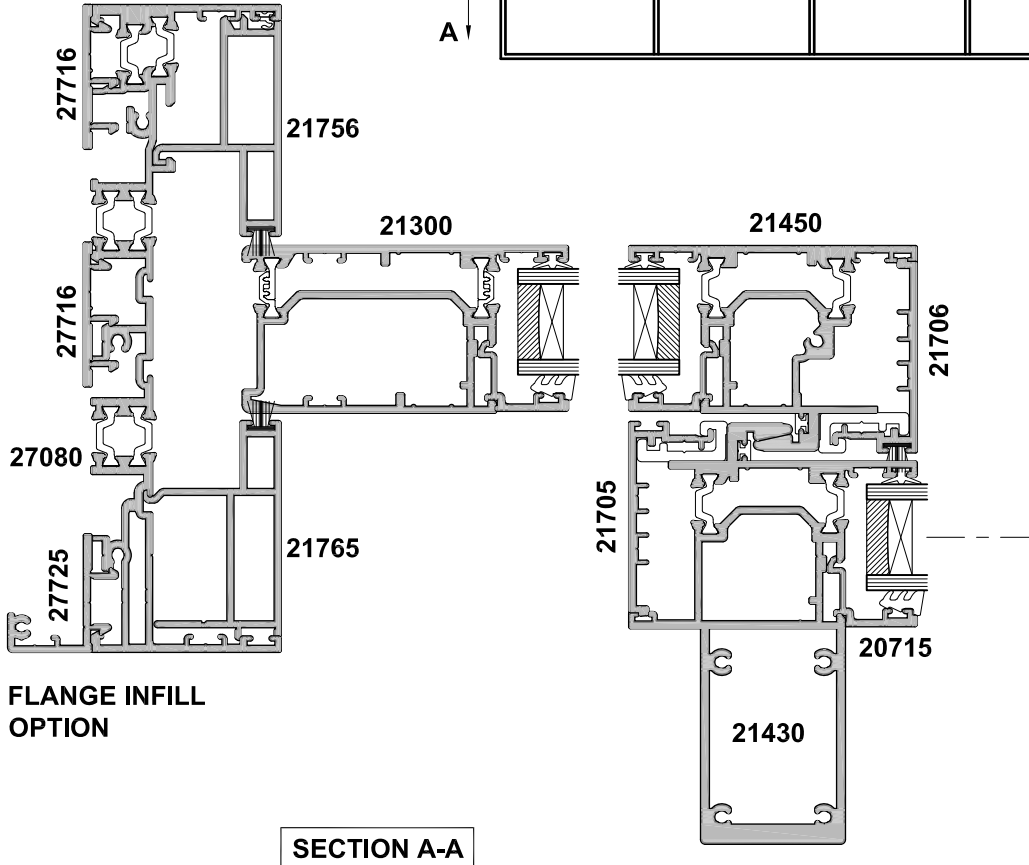
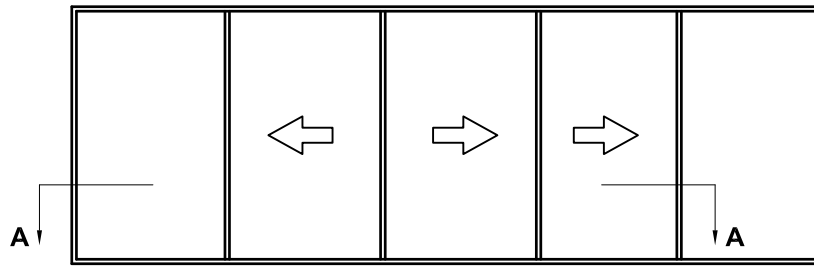


**FLANGE INFILL OPTION**



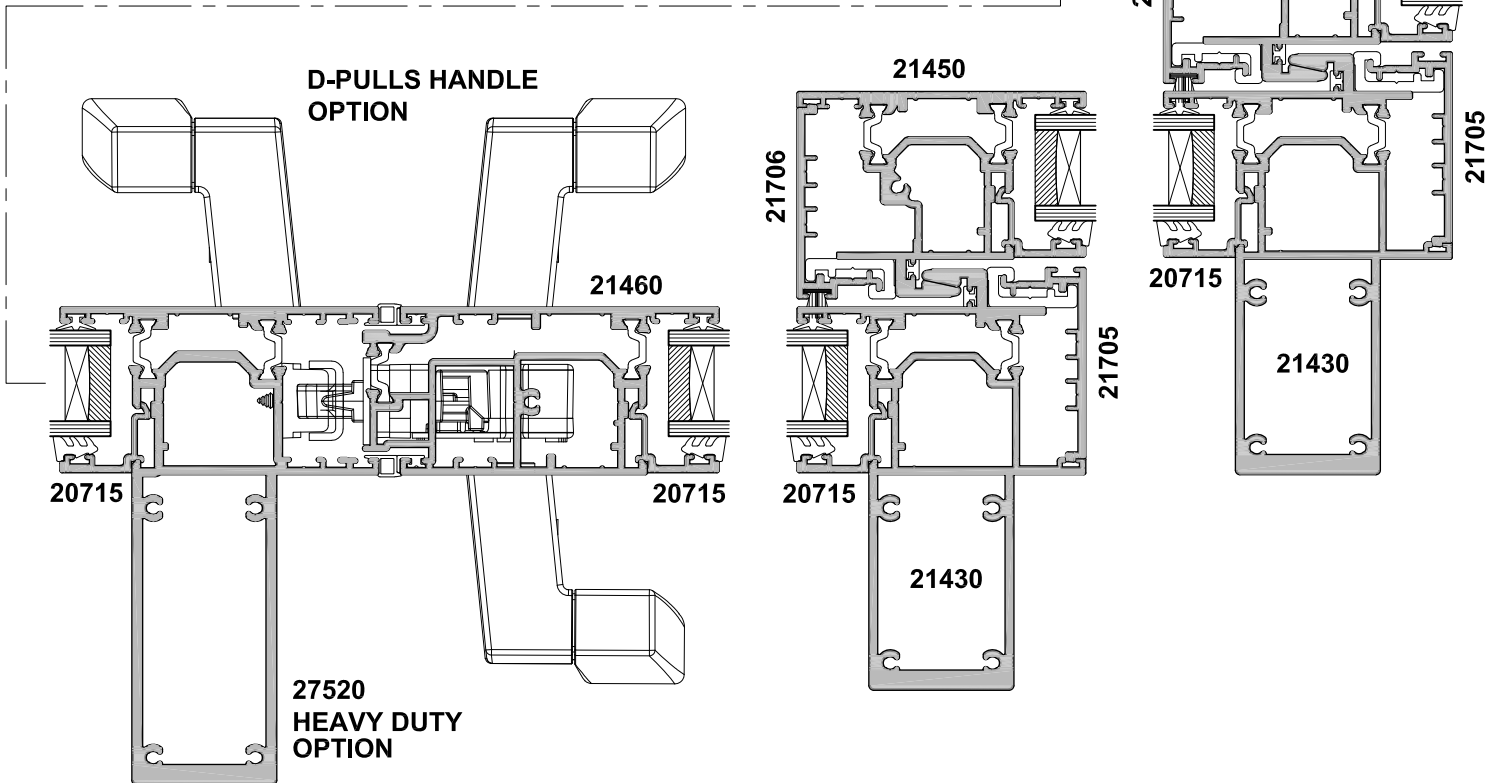
**SECTION A-A**





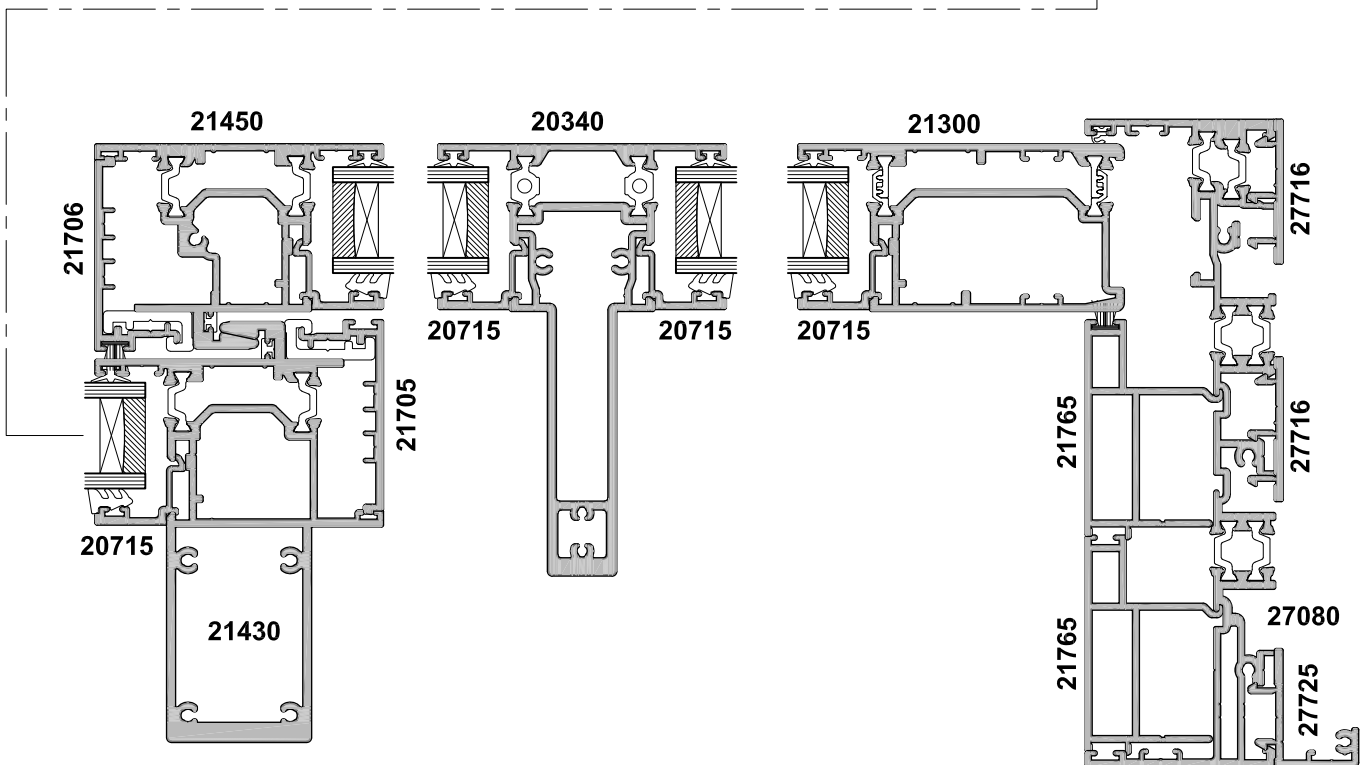
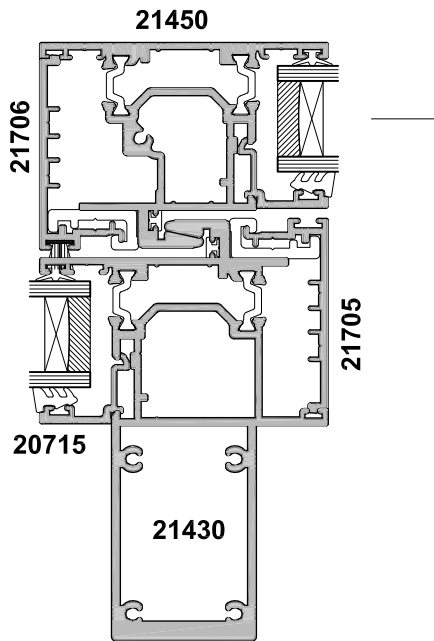
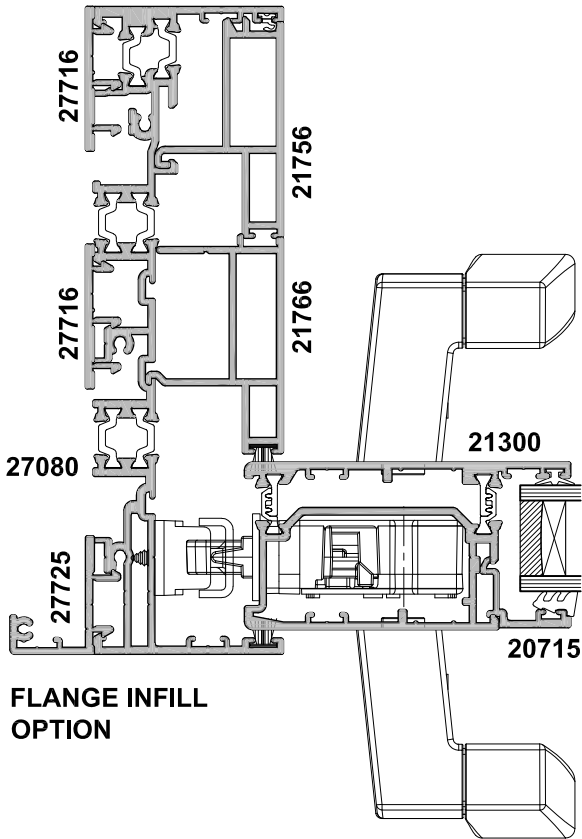
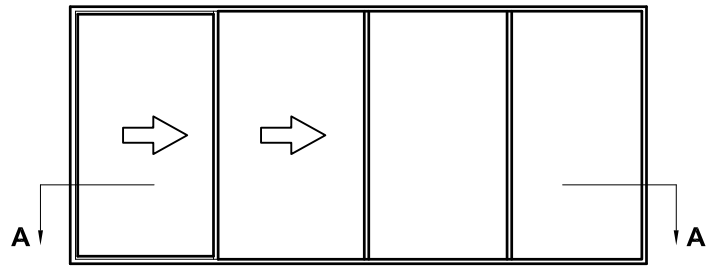
**FLANGE INFILL  
OPTION**

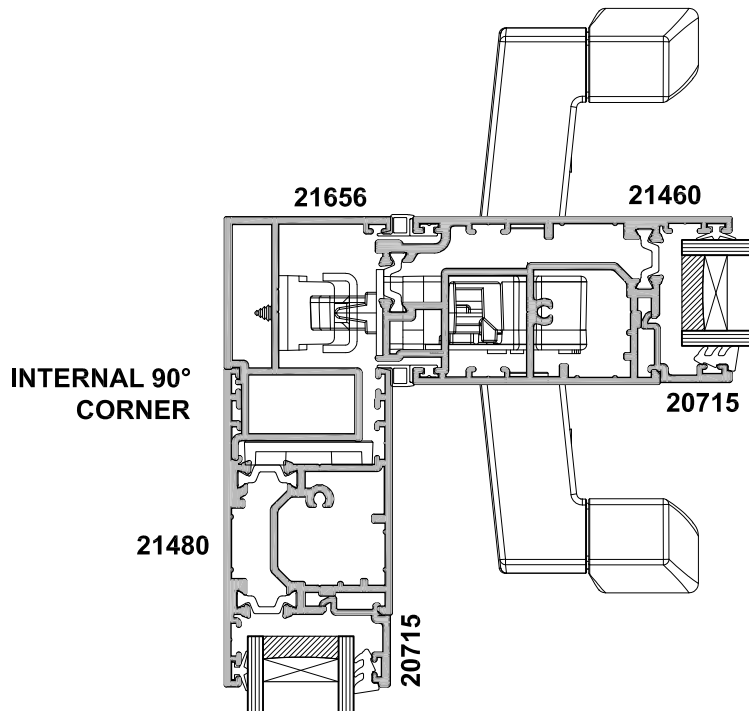
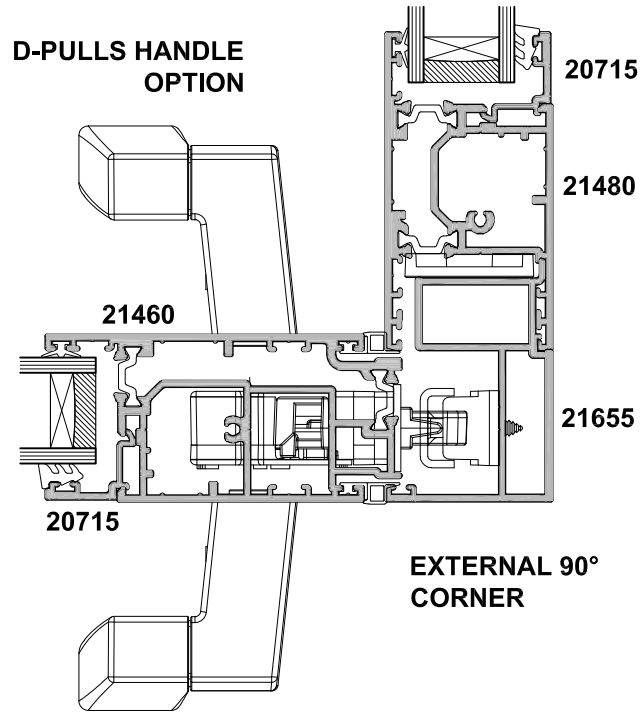
**SECTION A-A**

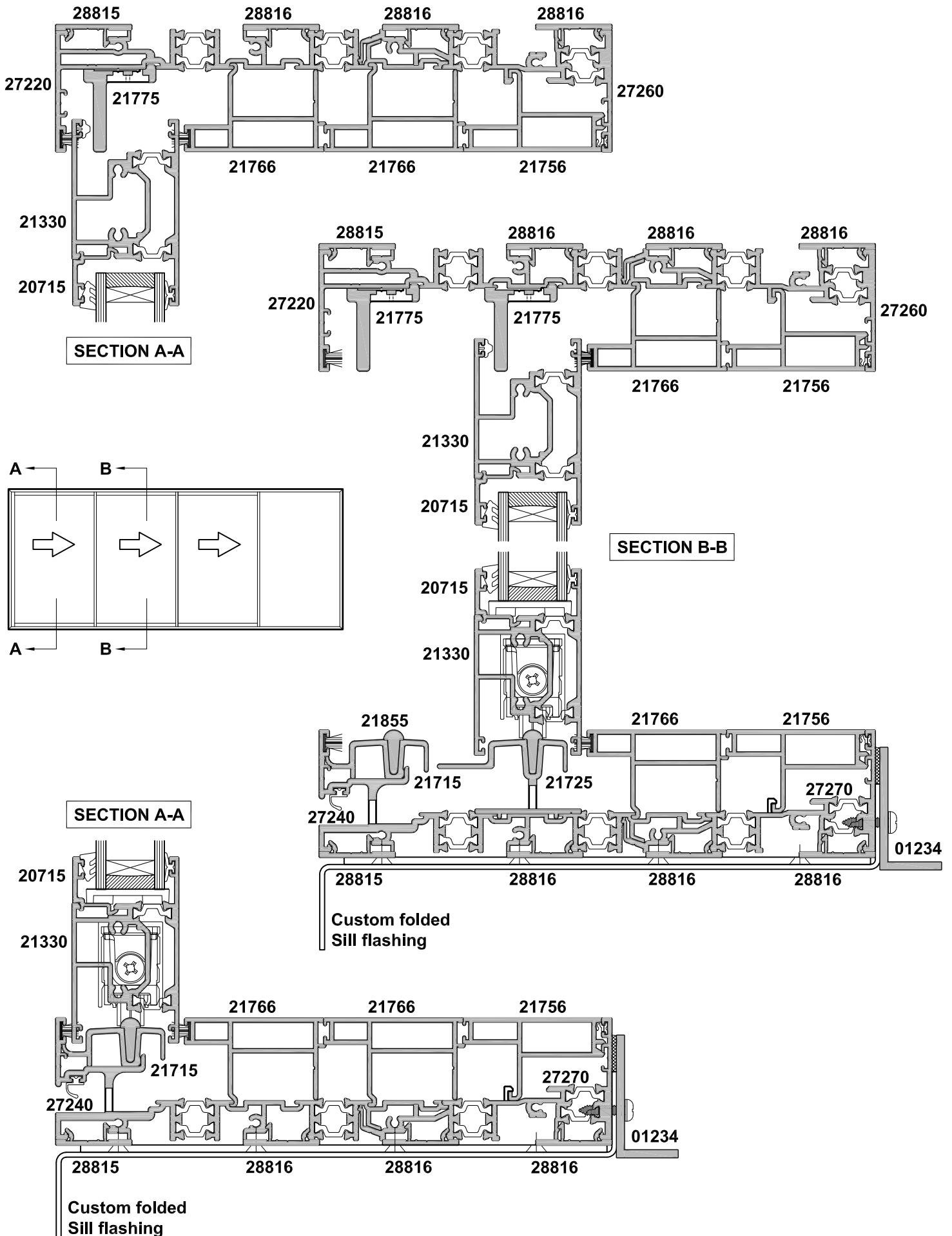


**D-PULLS HANDLE  
OPTION**

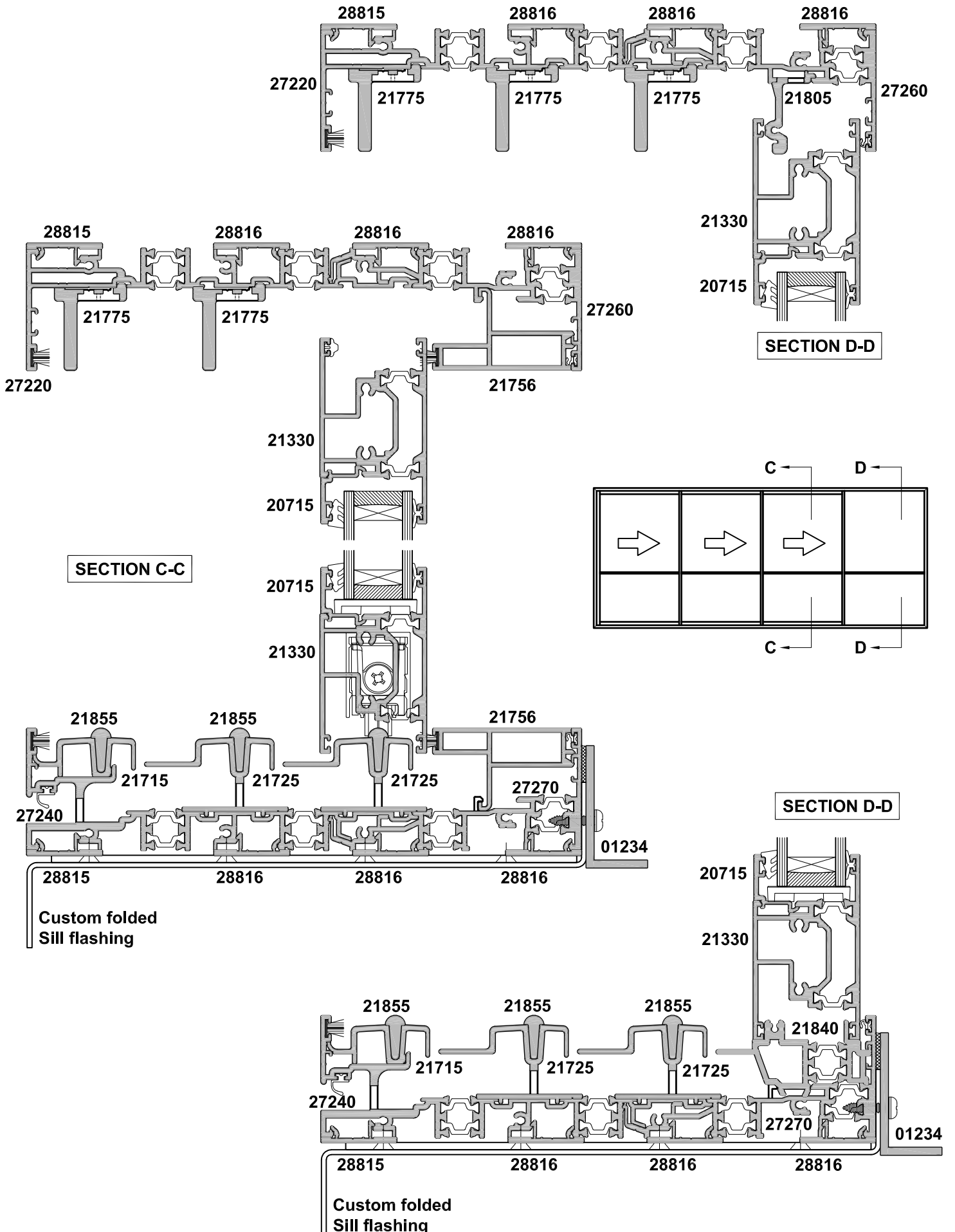
**27520  
HEAVY DUTY  
OPTION**



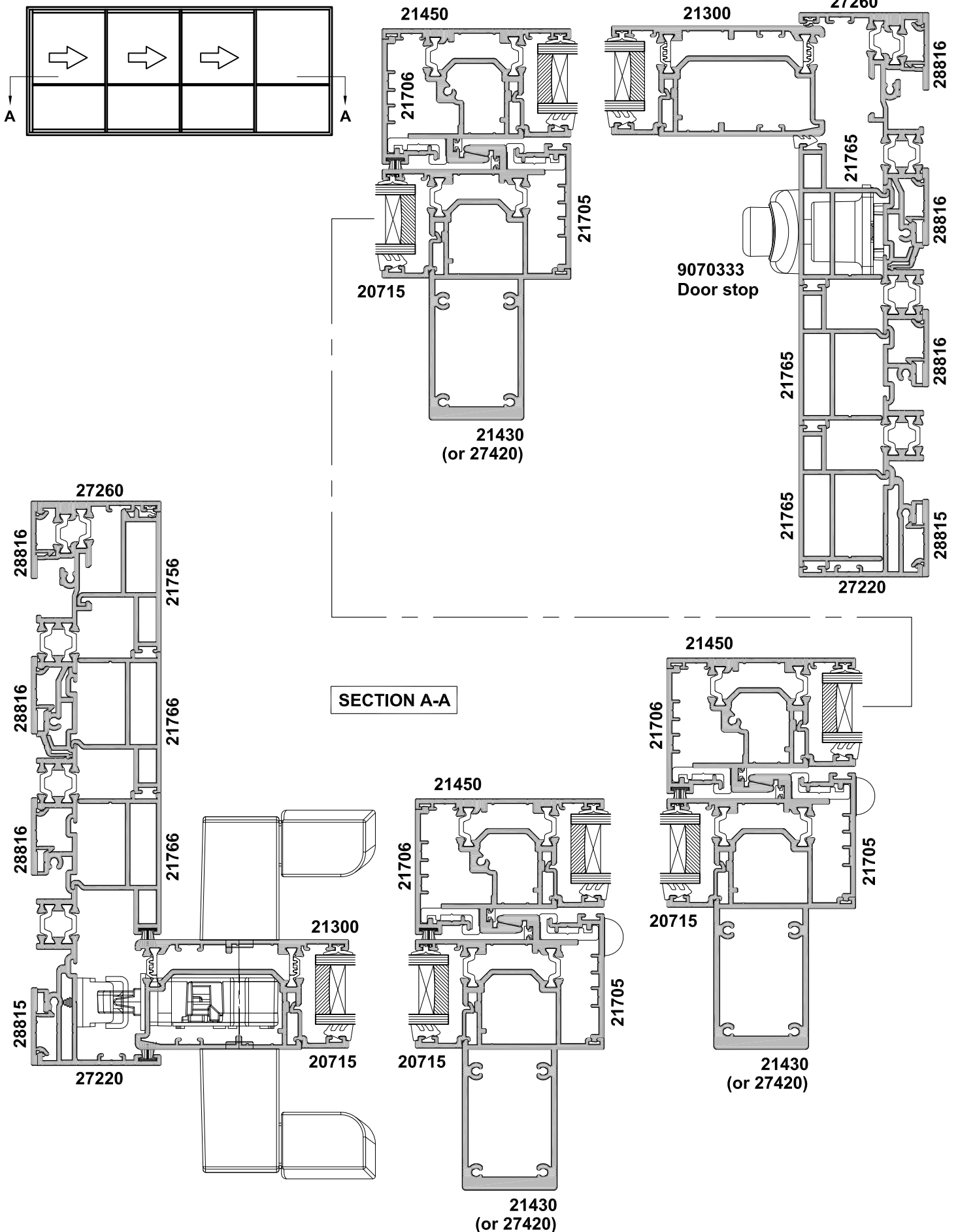


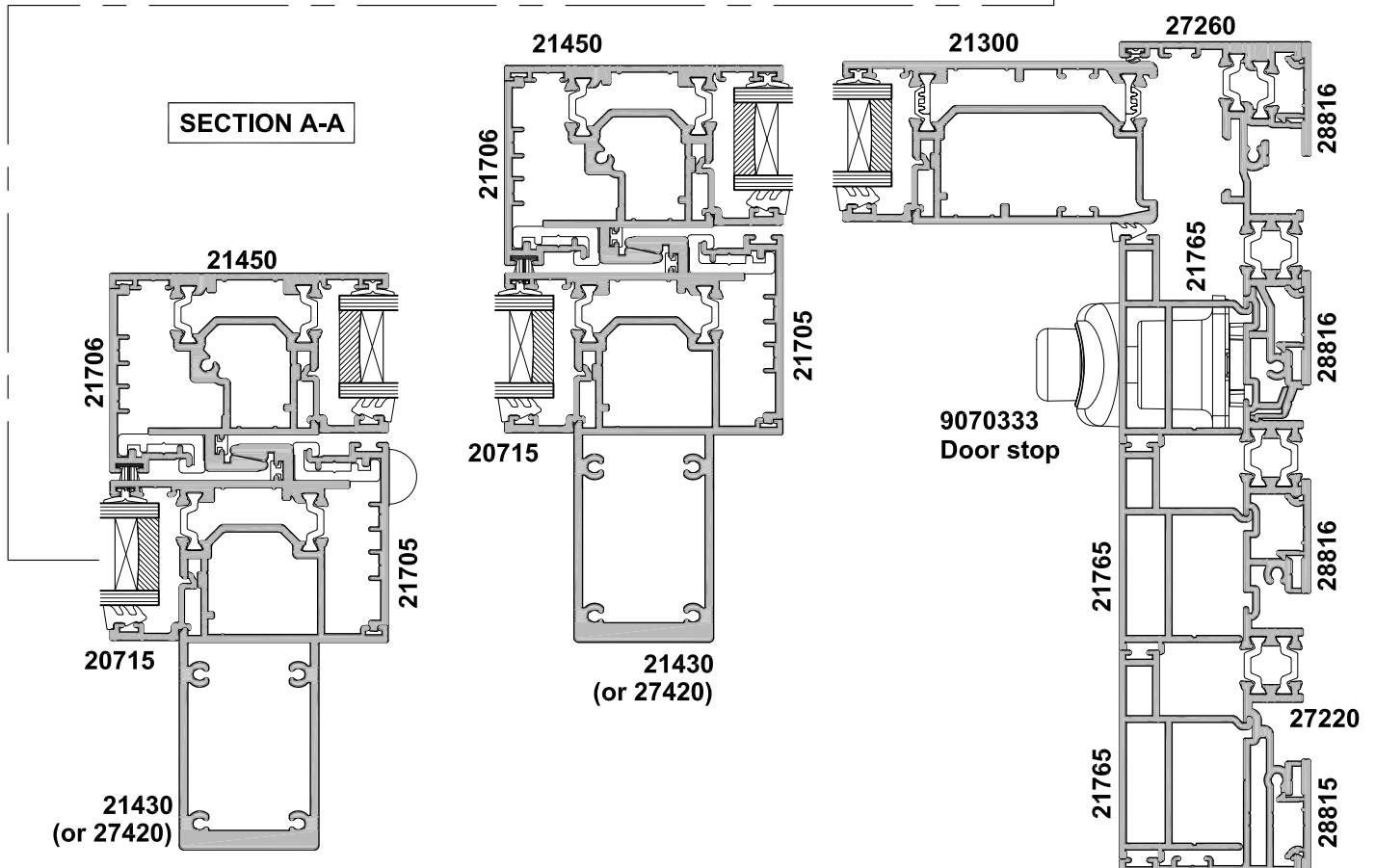
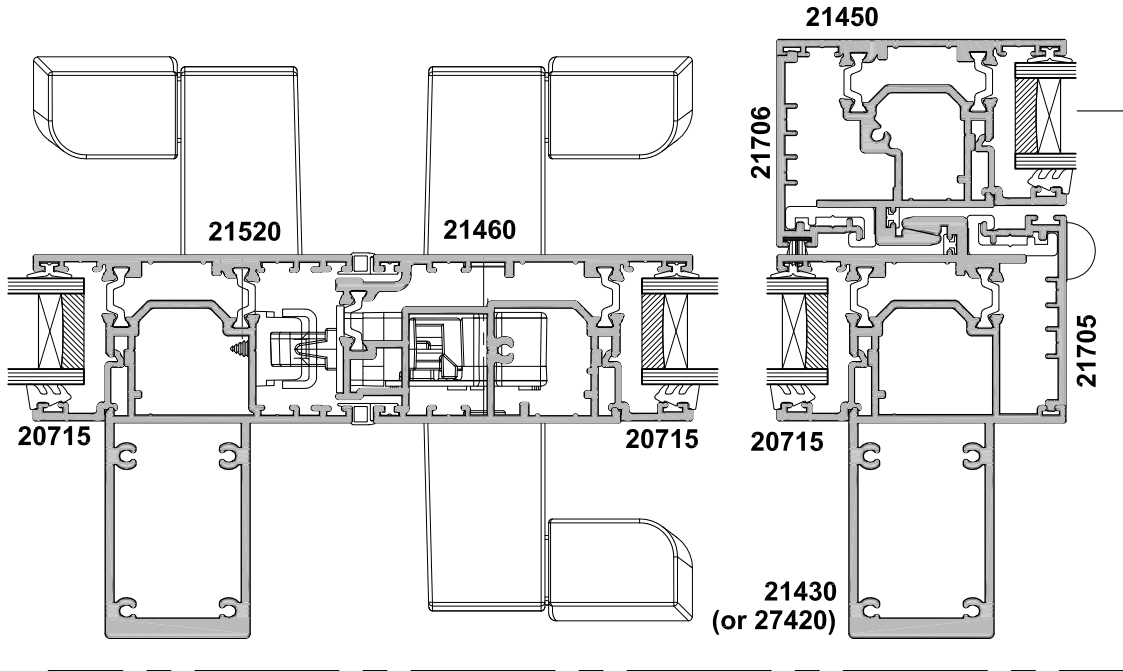
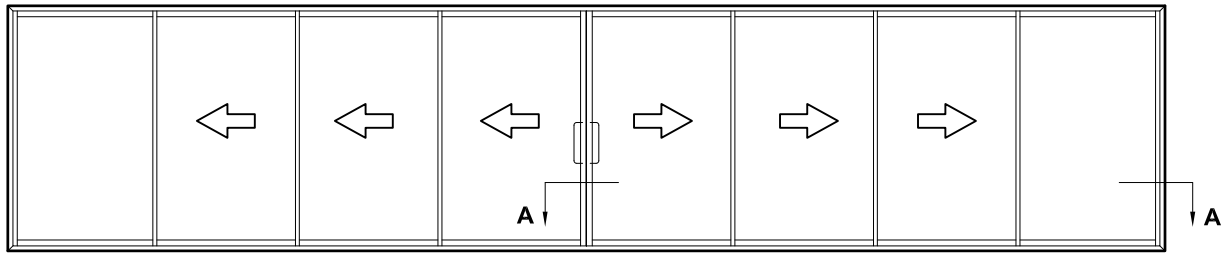


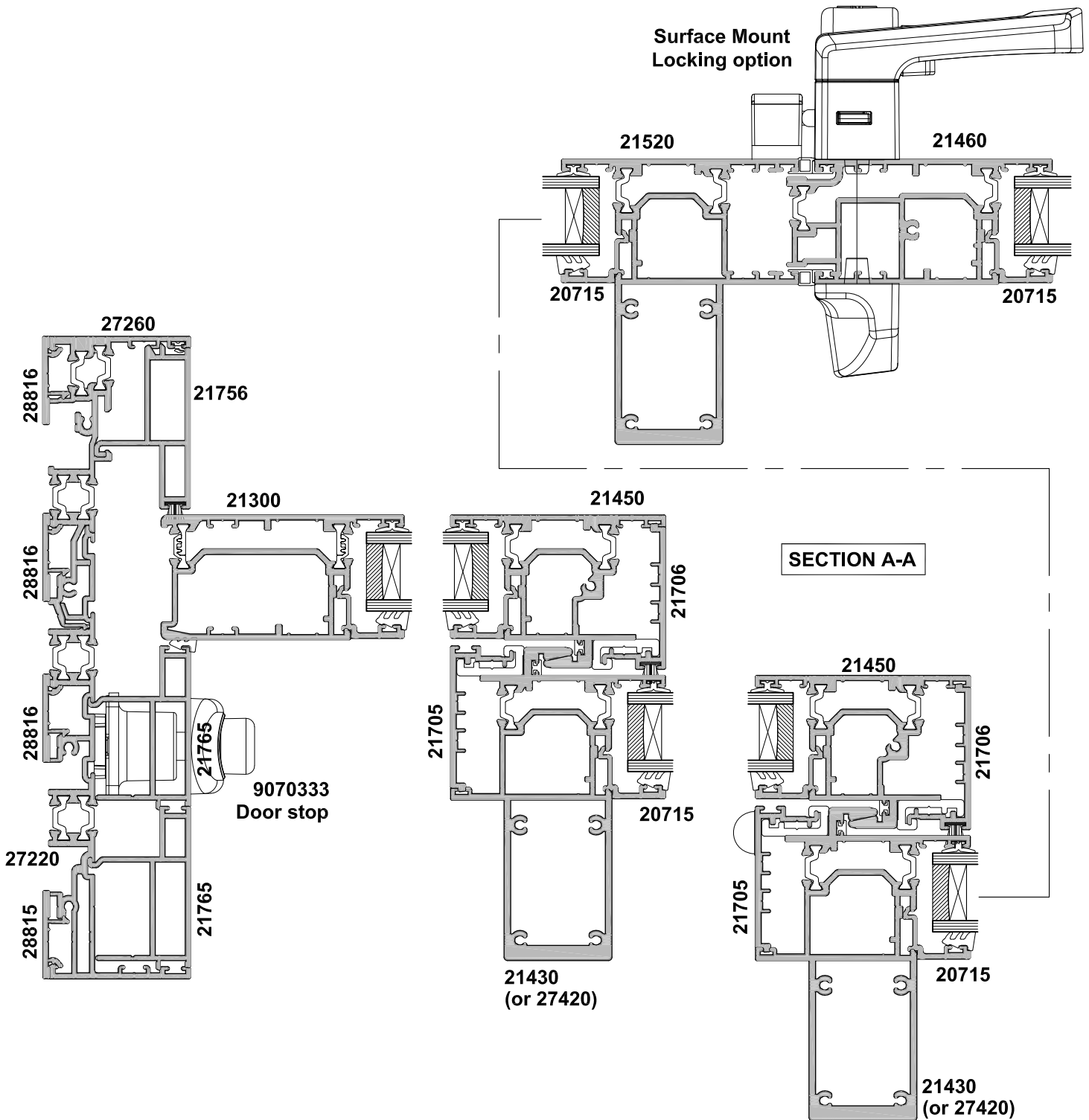
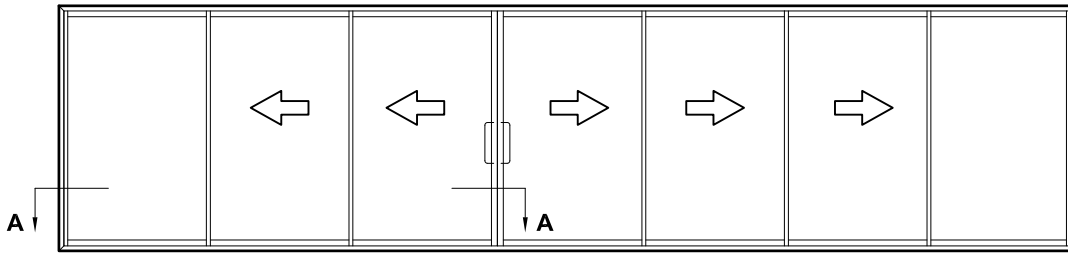


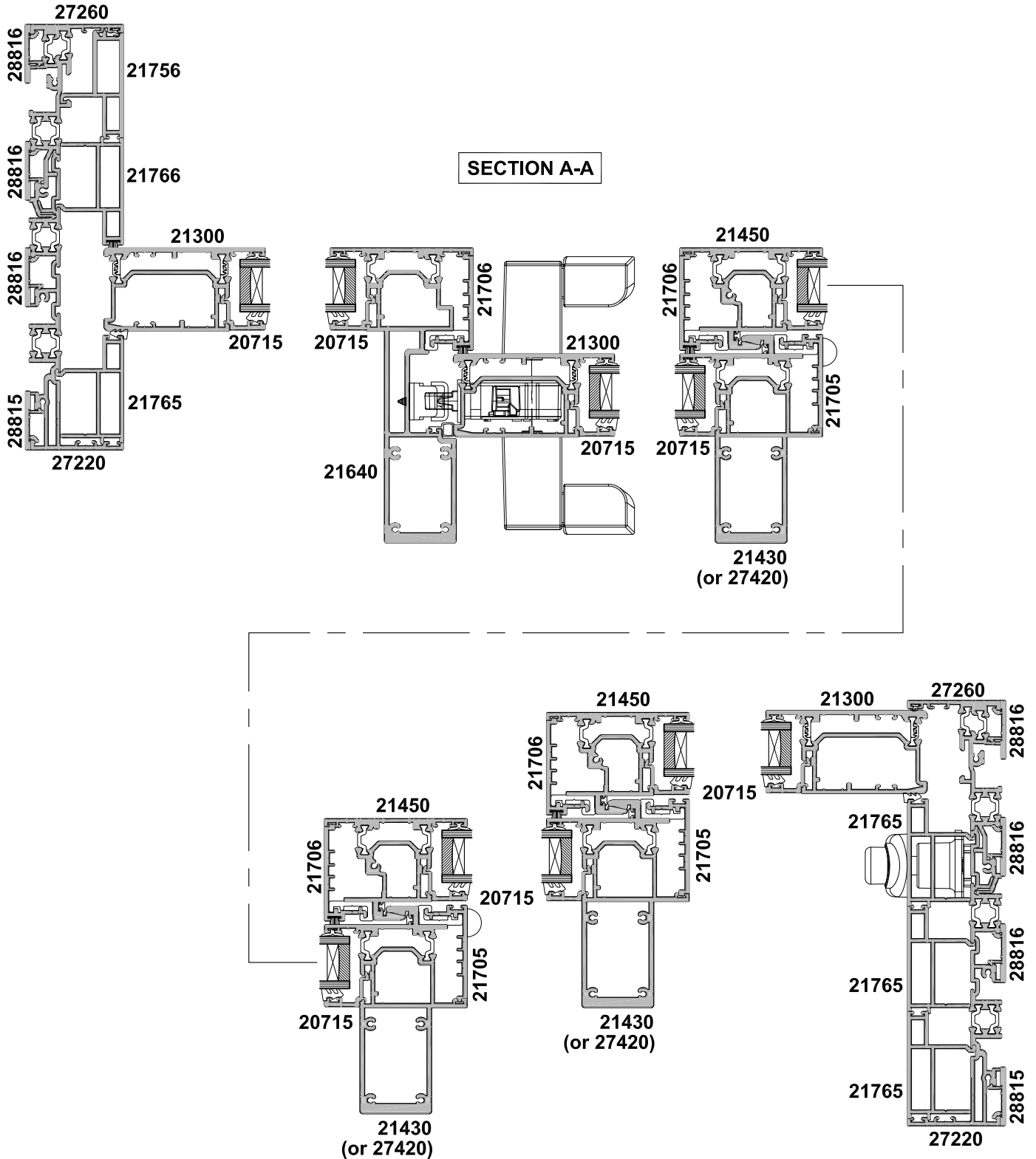
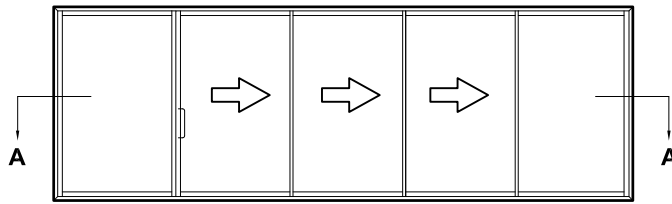


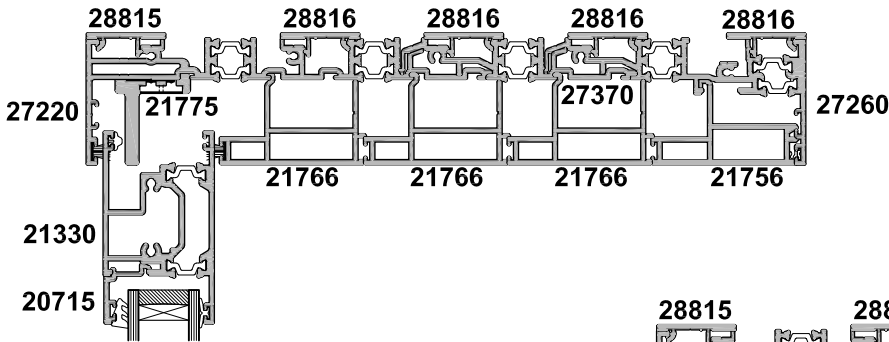
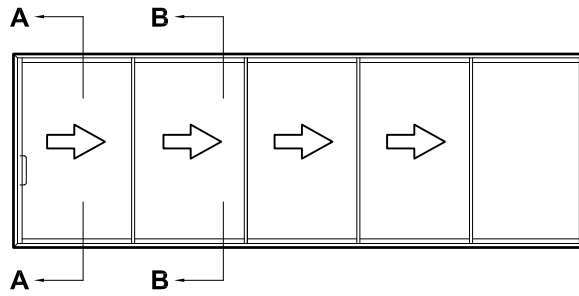




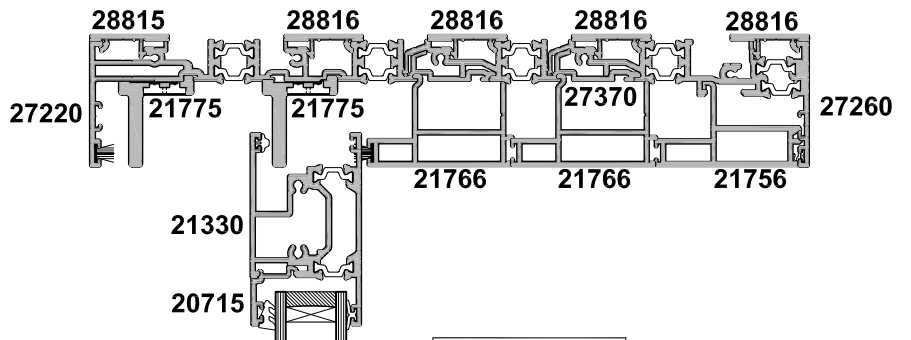




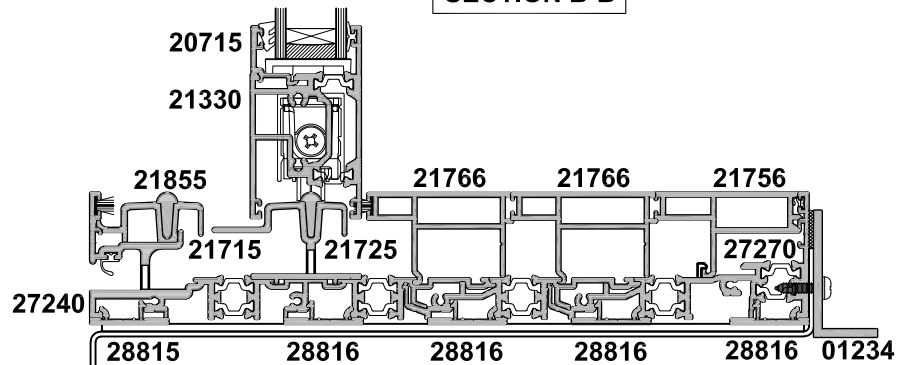




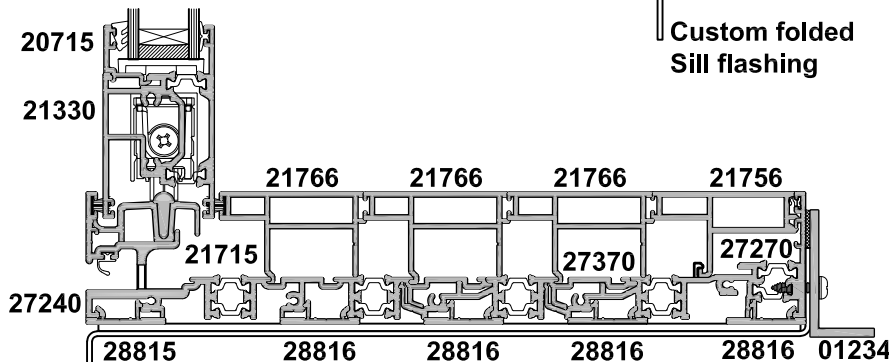
SECTION A-A



SECTION B-B

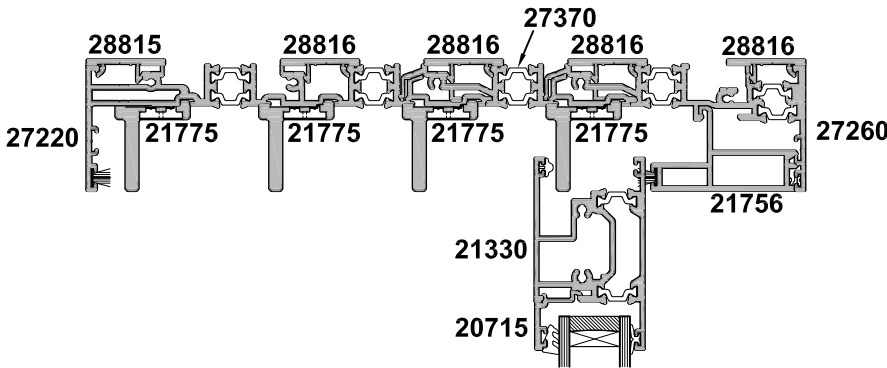
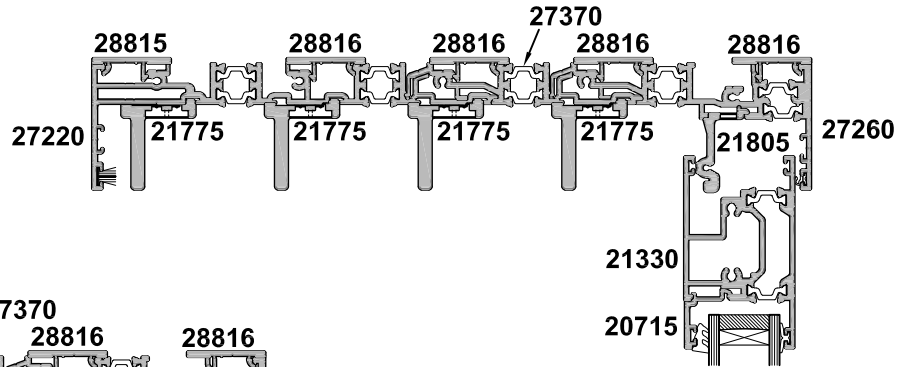
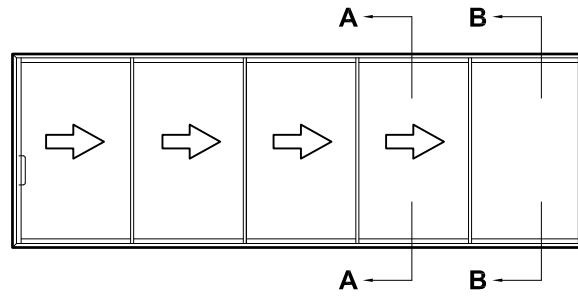


SECTION A-A



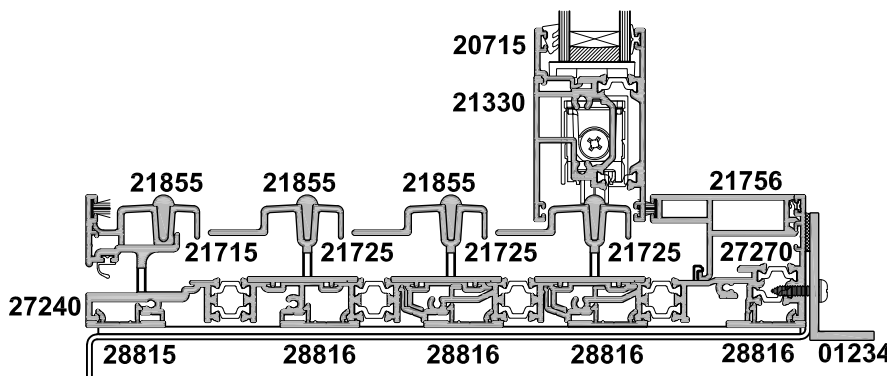
Custom folded  
Sill flashing

Custom folded  
Sill flashing



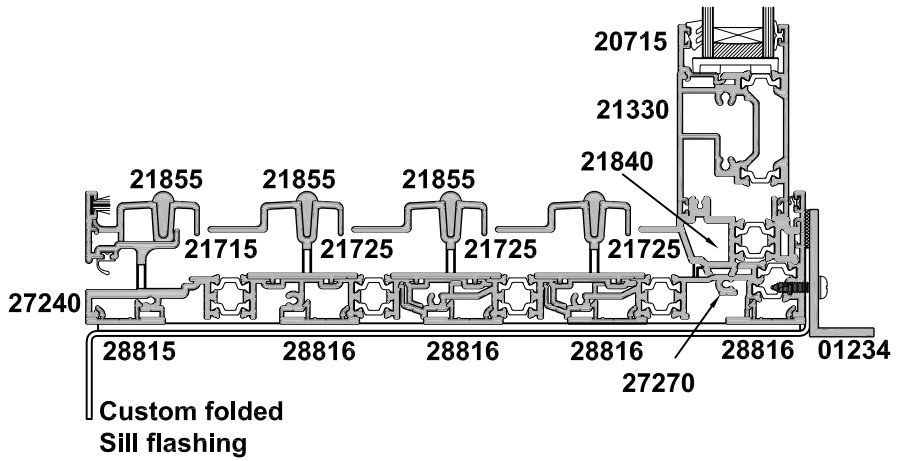
SECTION A-A

SECTION B-B

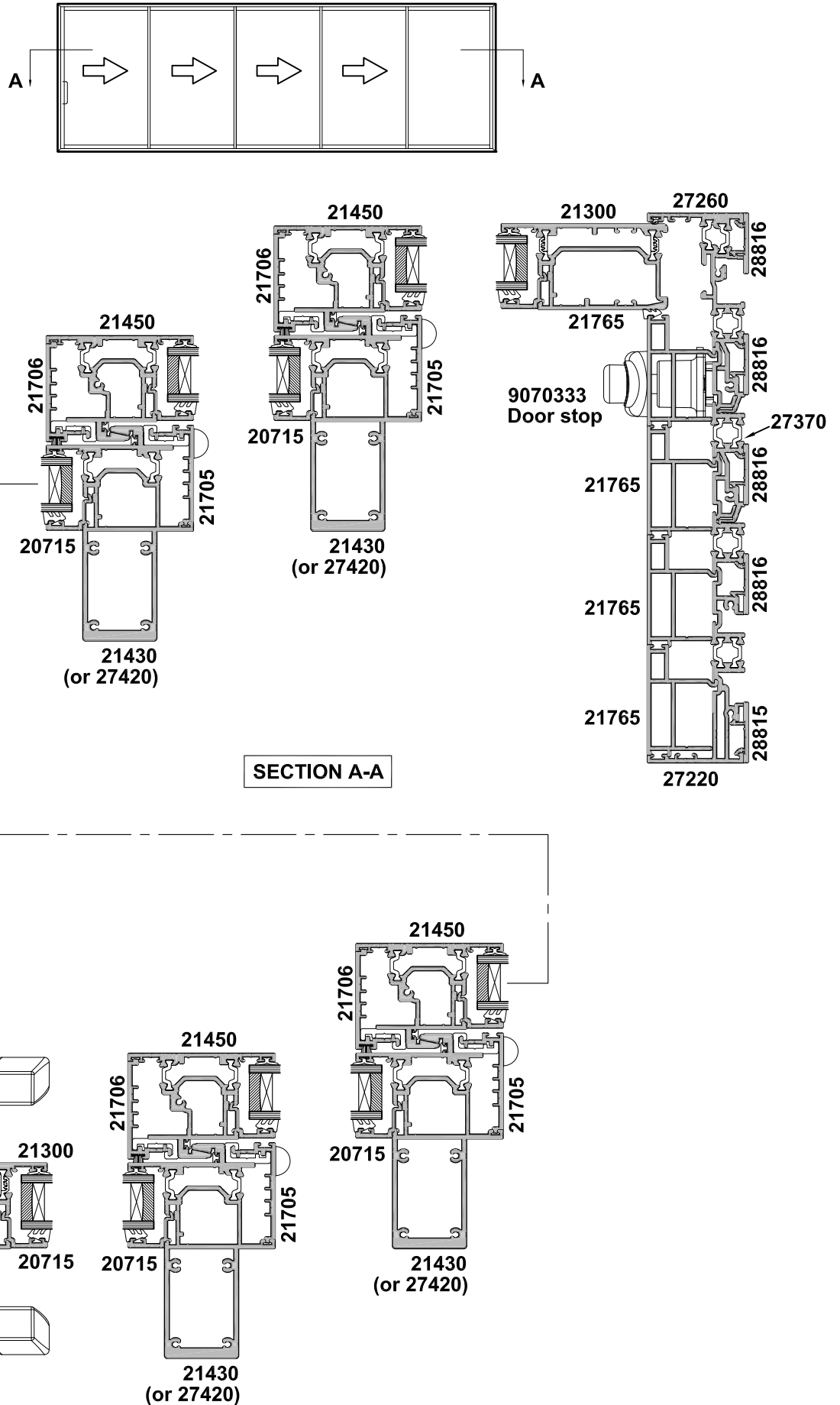


SECTION B-B

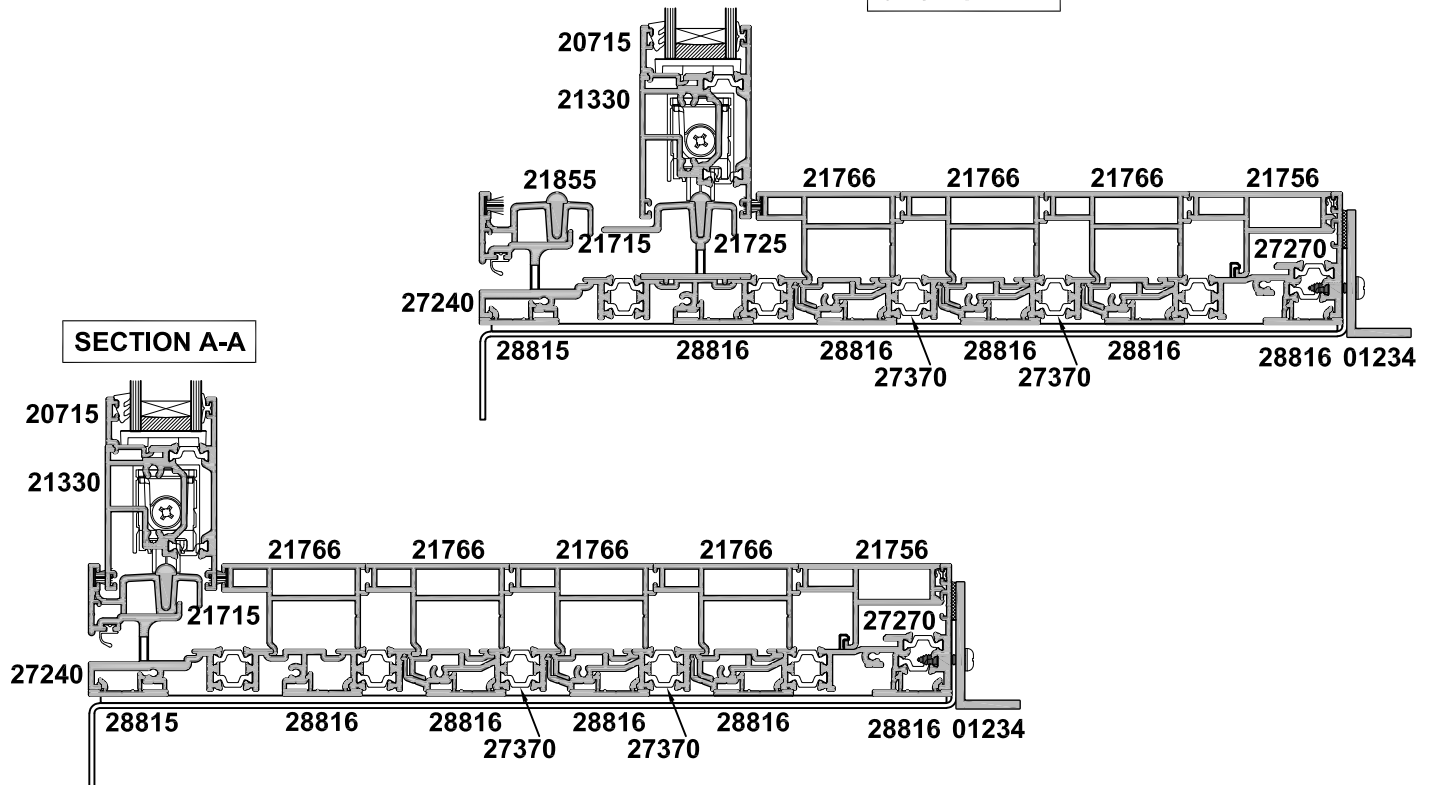
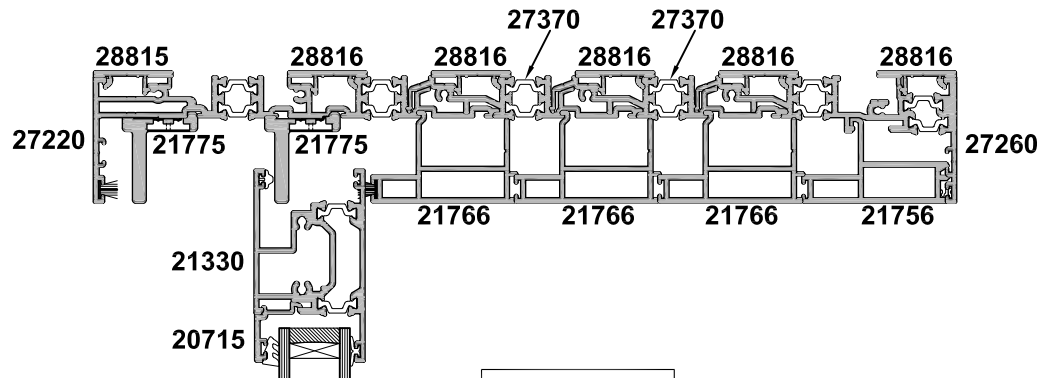
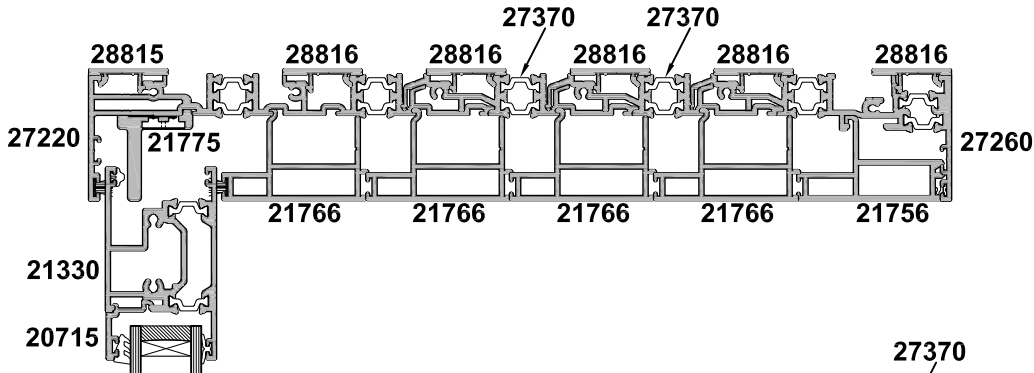
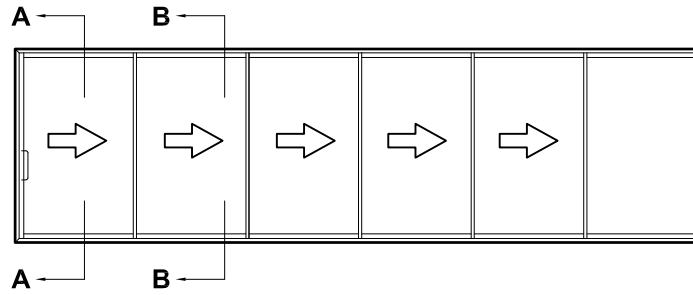
Custom folded  
Sill flashing



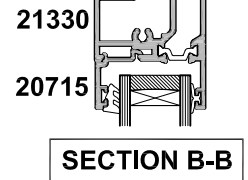
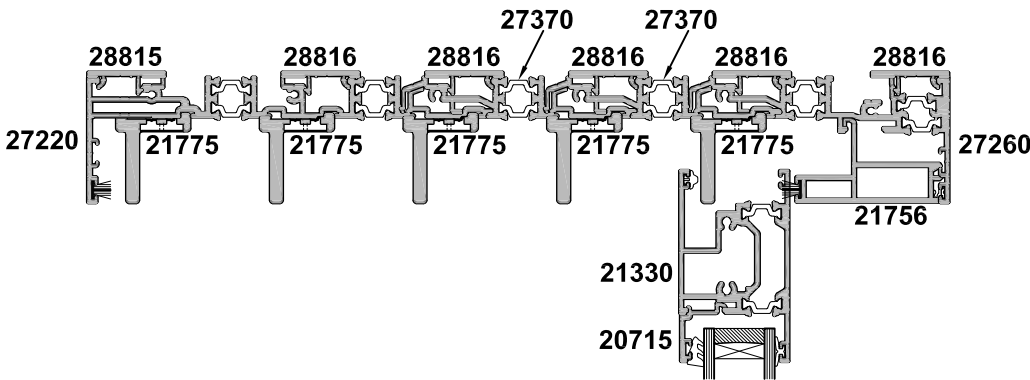
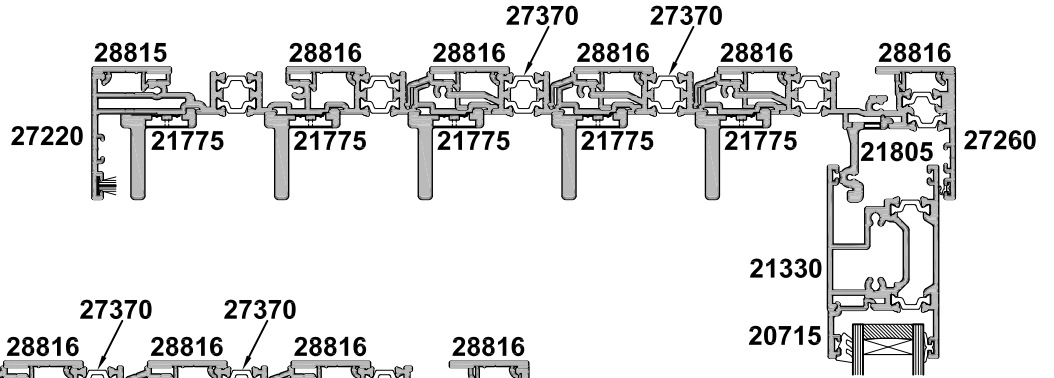
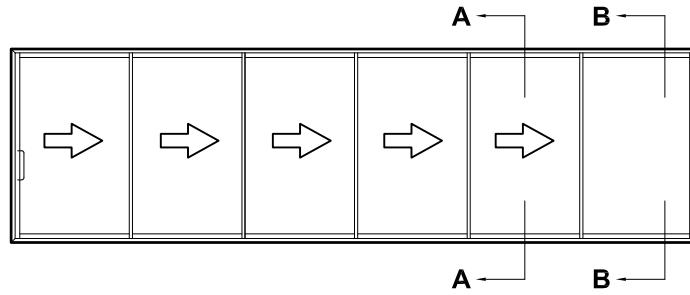
Custom folded  
Sill flashing



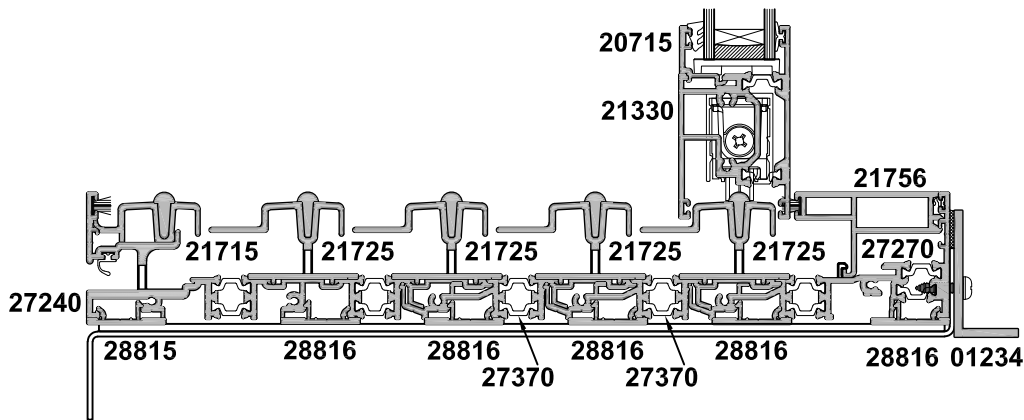




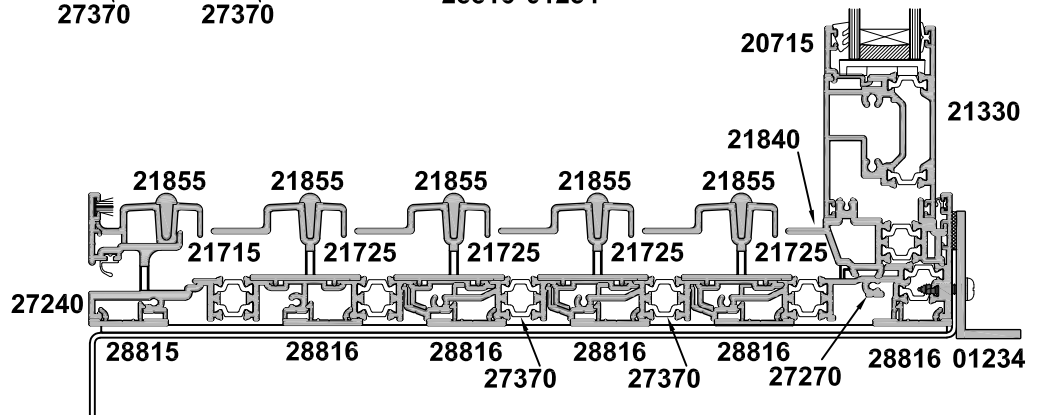


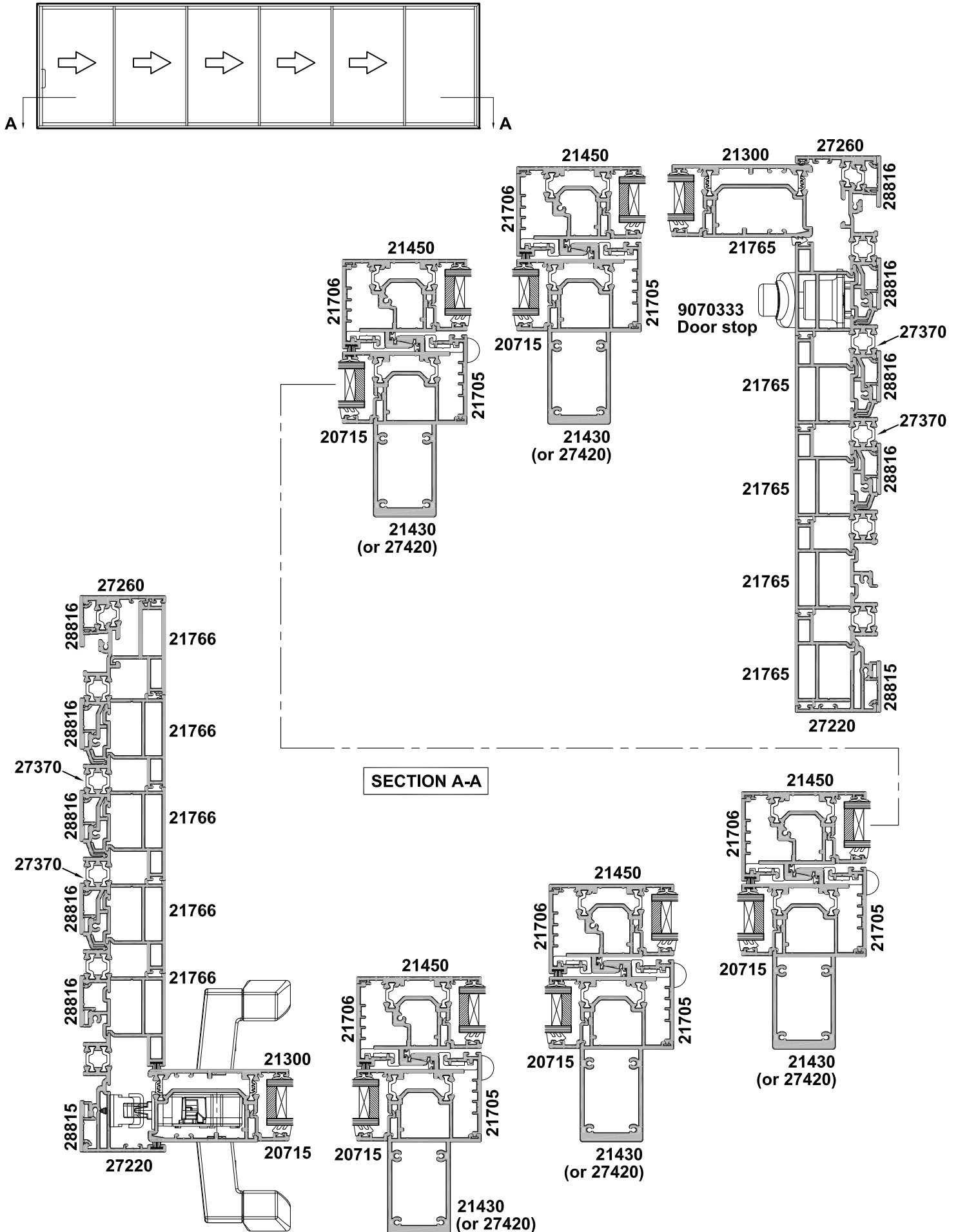


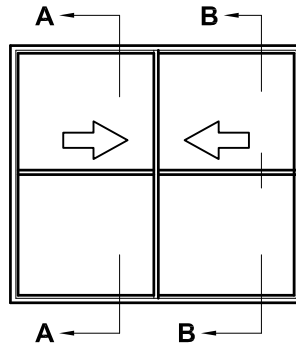
**SECTION A-A**



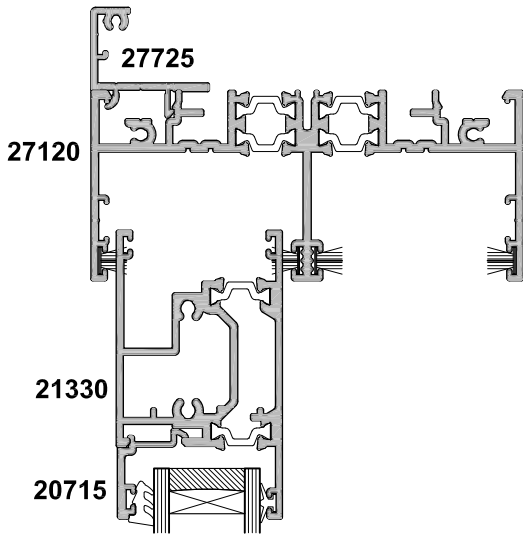
**SECTION B-B**



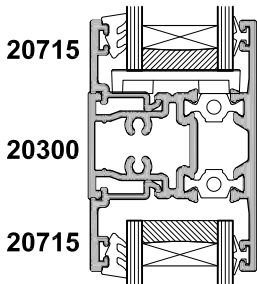
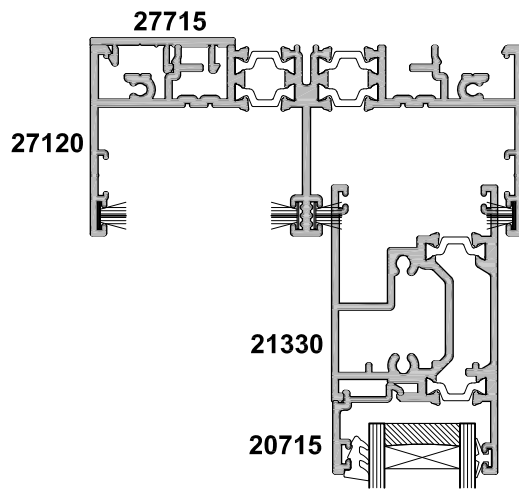




**FLANGE INFILL  
OPTION**

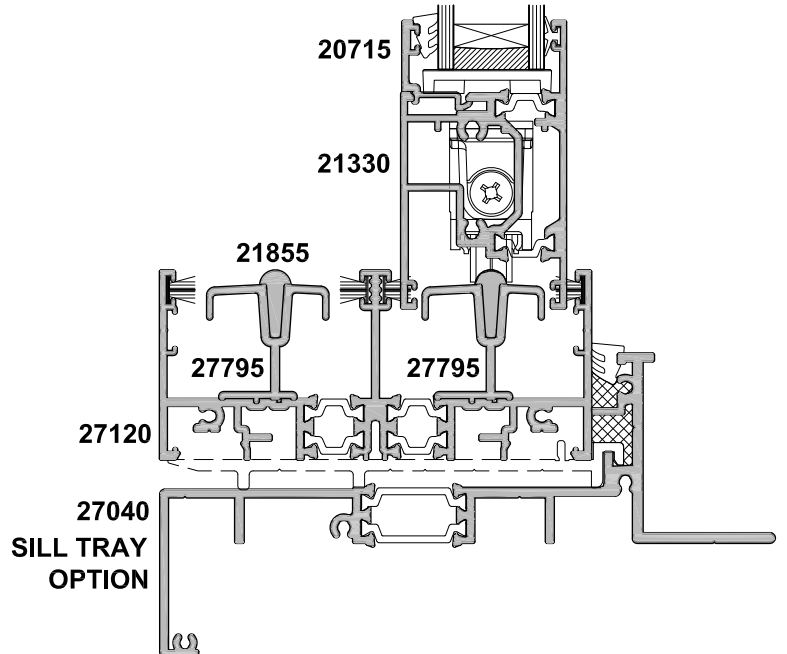
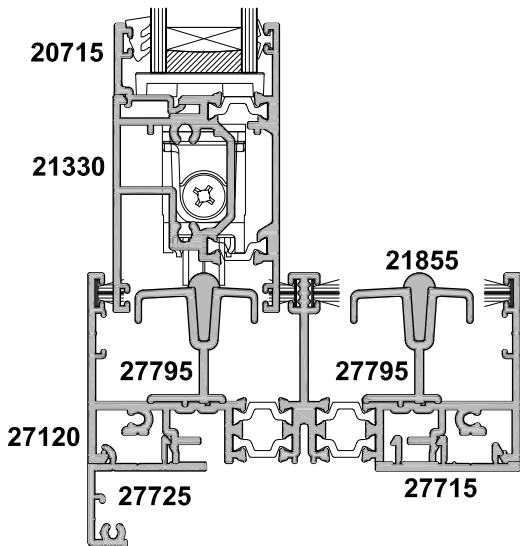
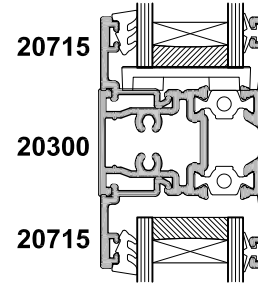


**FLAT INFILL OPTION**



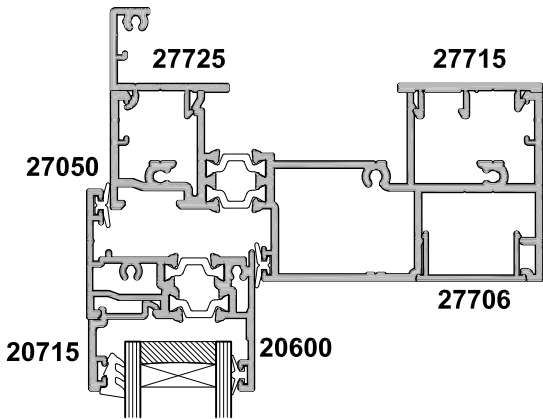
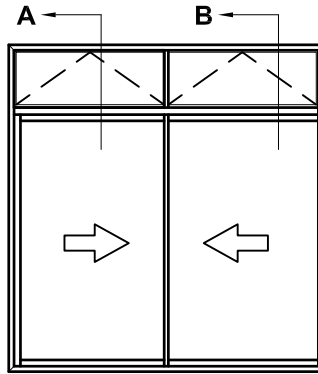
**SECTION A-A**

**SECTION B-B**



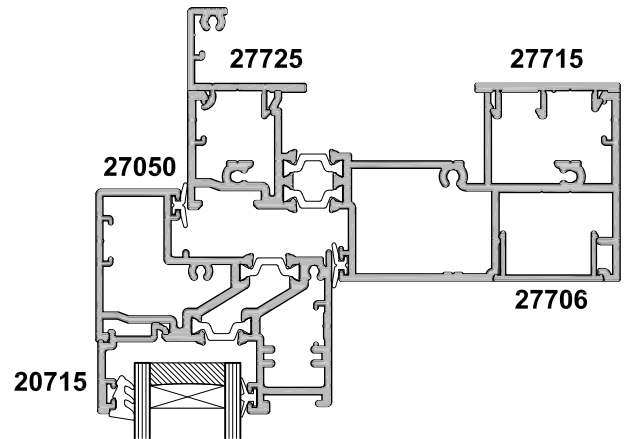
**FLANGE INFILL  
OPTION**

**27040  
SILL TRAY  
OPTION**



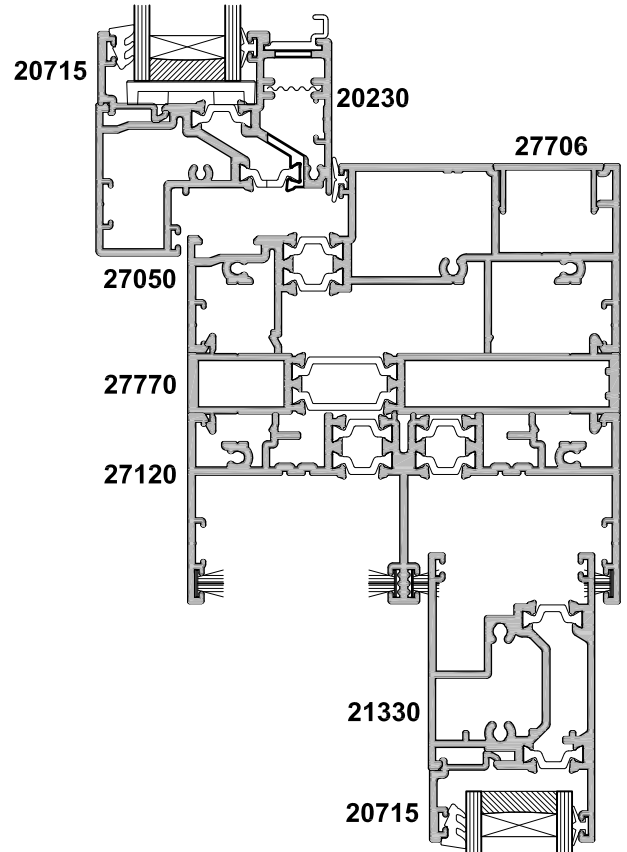
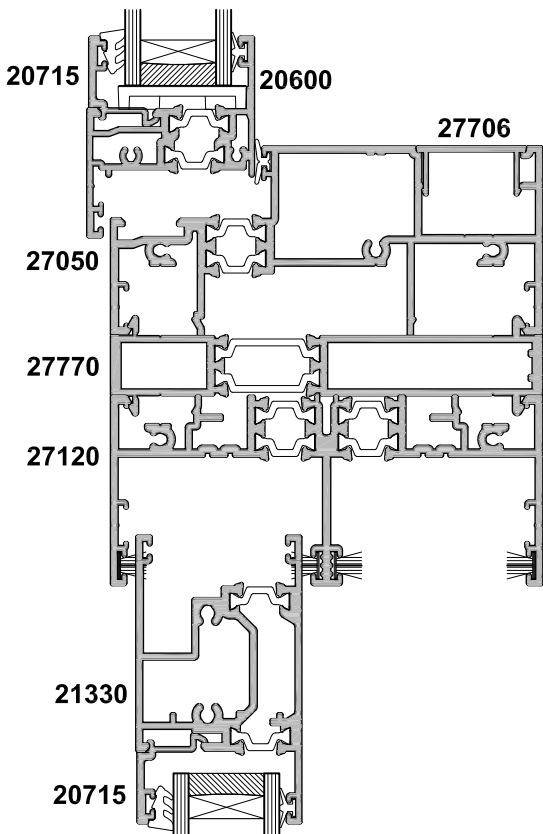
**STANDARD  
SASH OPTION**

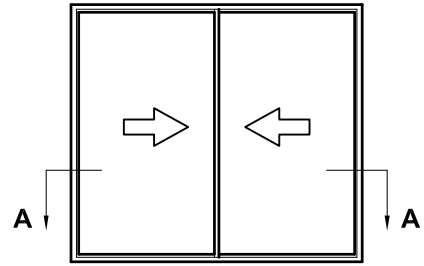
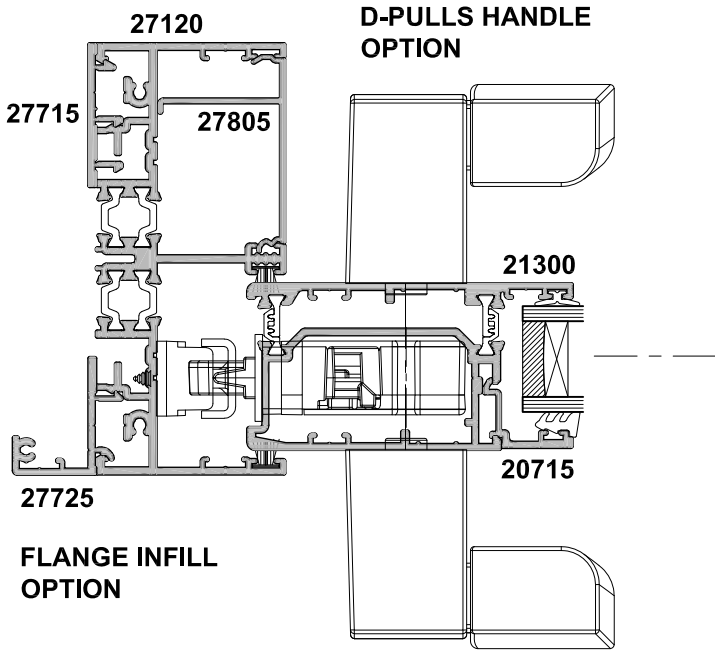
**SECTION A-A**



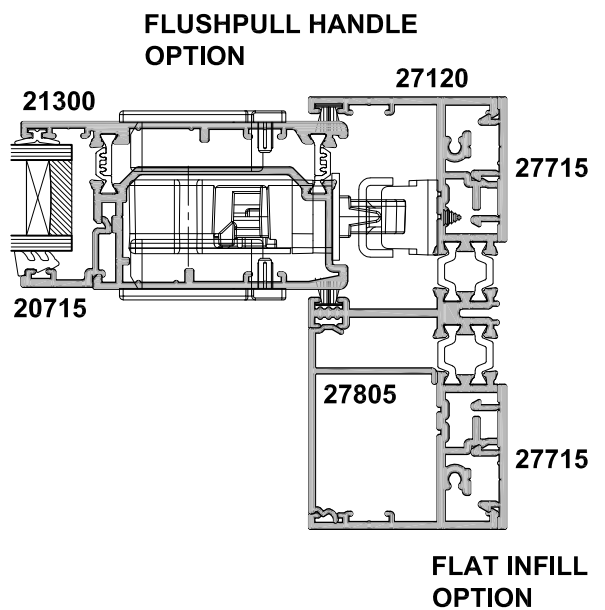
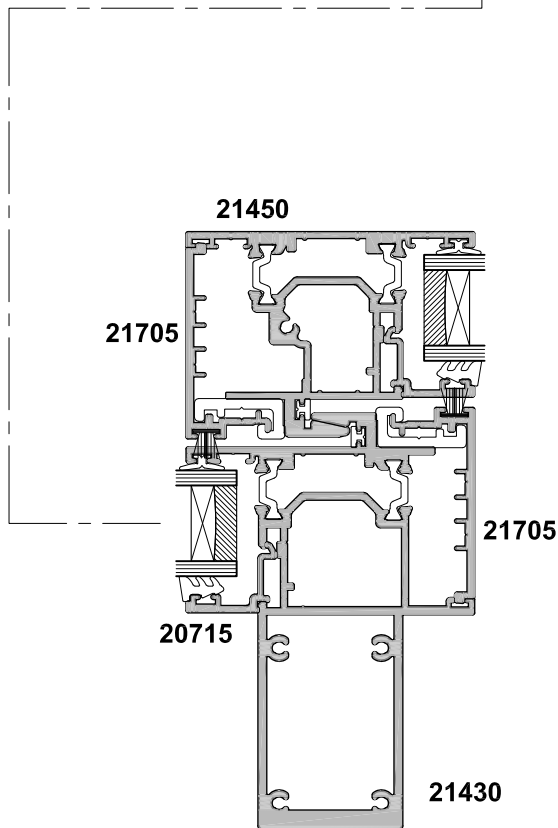
**VENTED SASH  
OPTION**

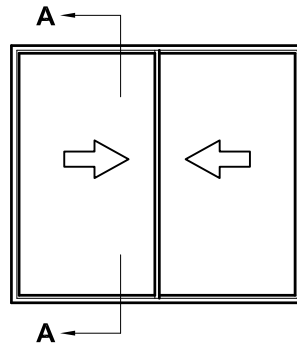
**SECTION B-B**



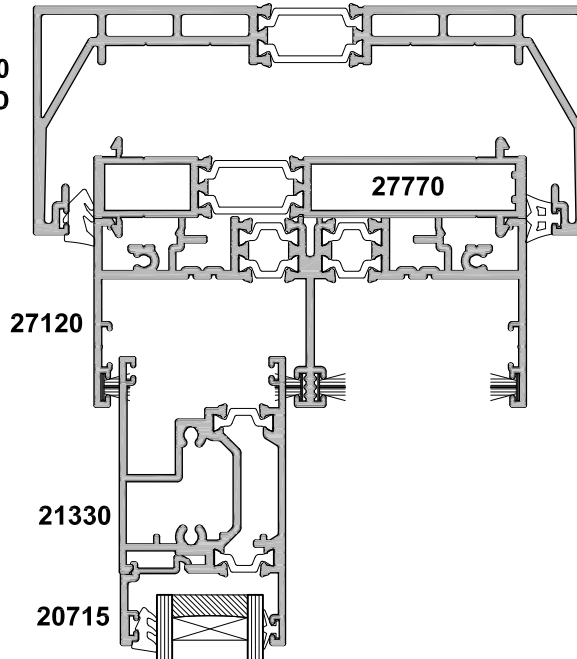


**SECTION A-A**



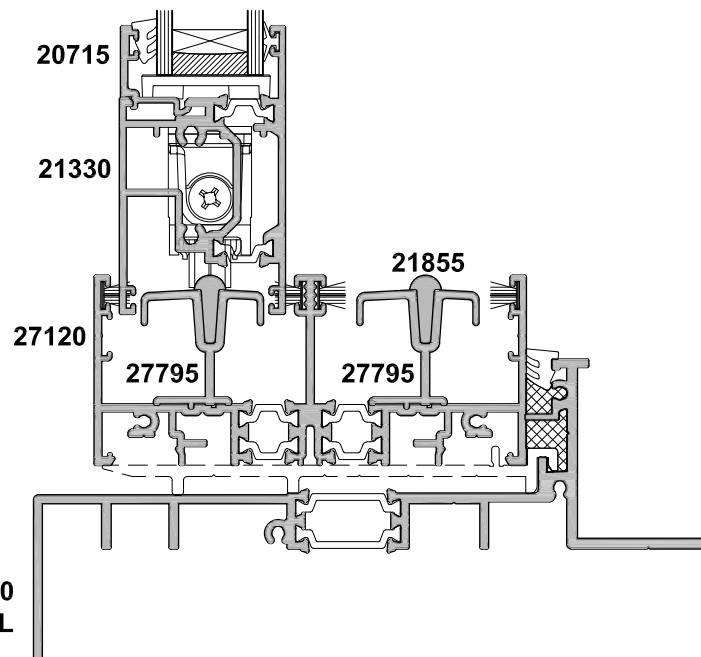


**31010  
SEISMIC HEAD**

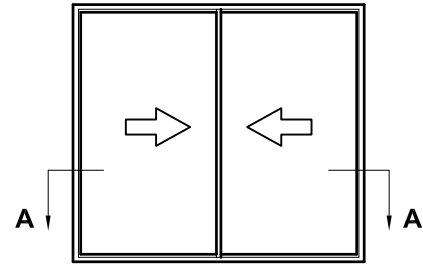
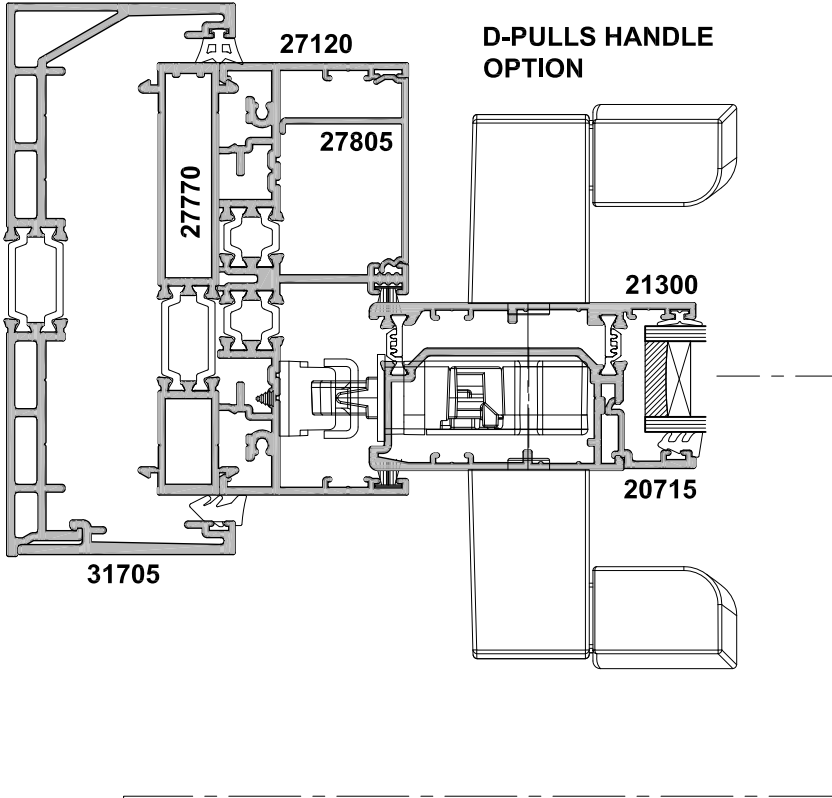


**SECTION A-A**

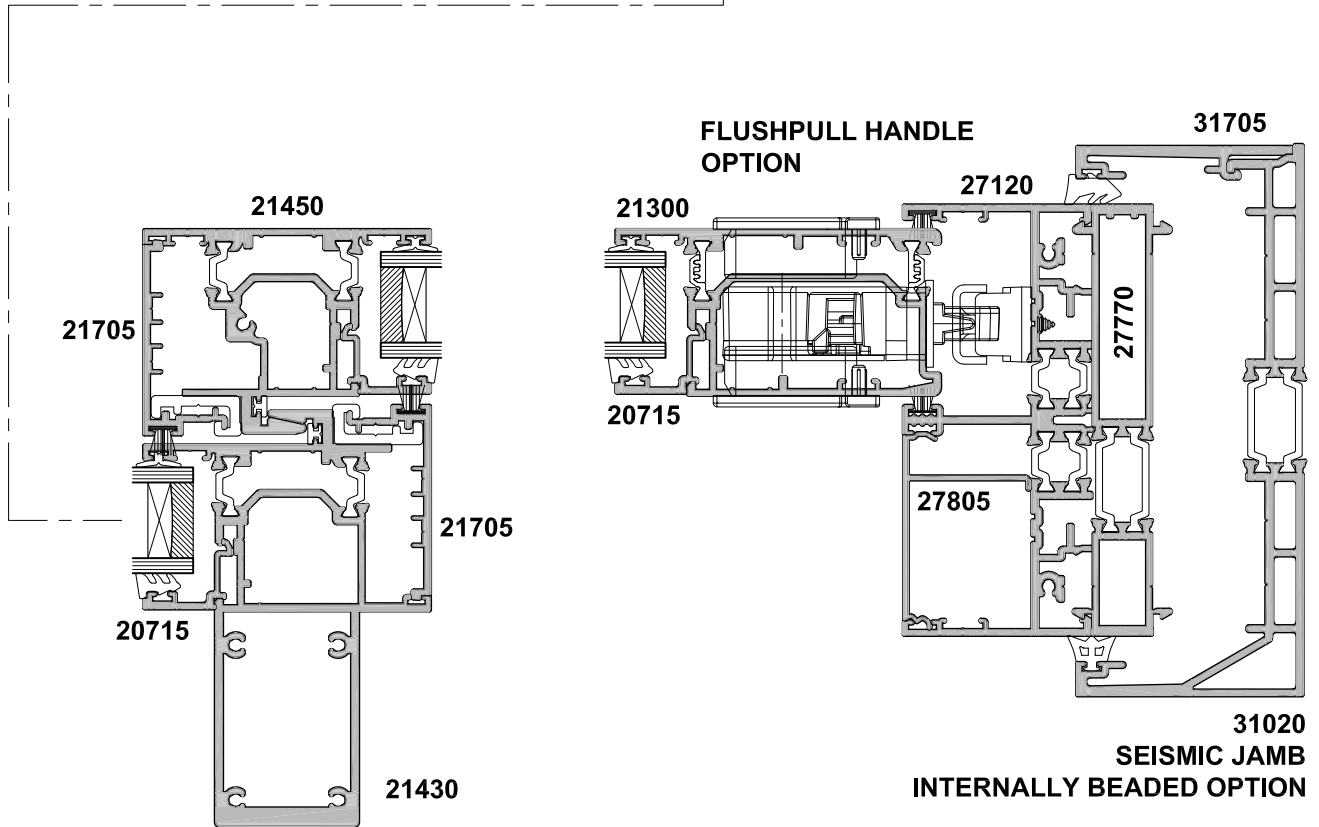
**28120  
SEISMIC SILL**

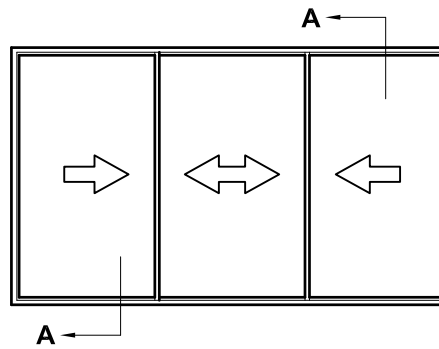


**31020  
SEISMIC JAMB  
EXTERNALLY BEADED OPTION**

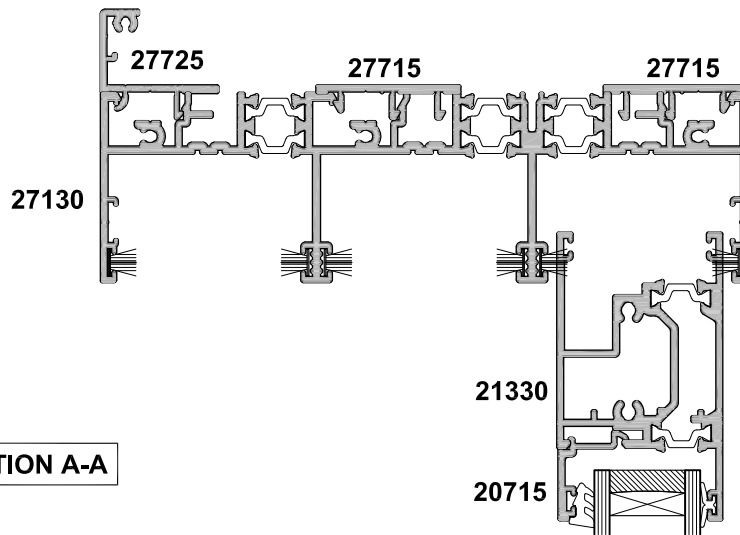


**SECTION A-A**

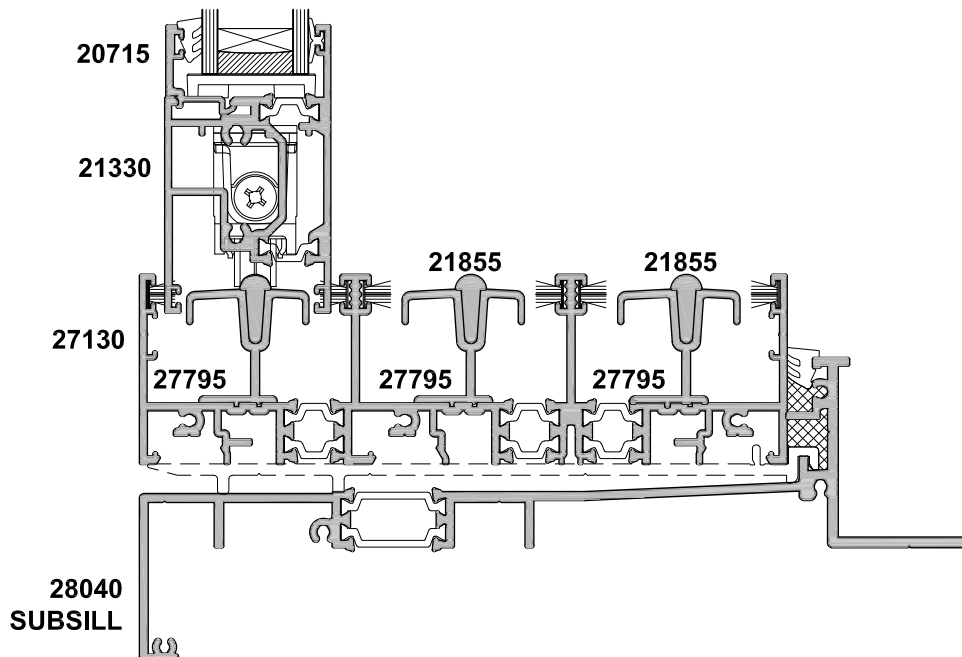




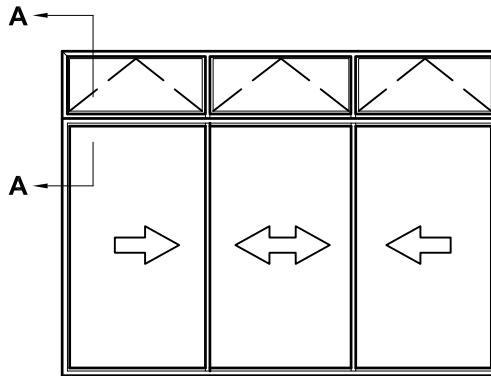
**FLANGE INFILL  
OPTION**



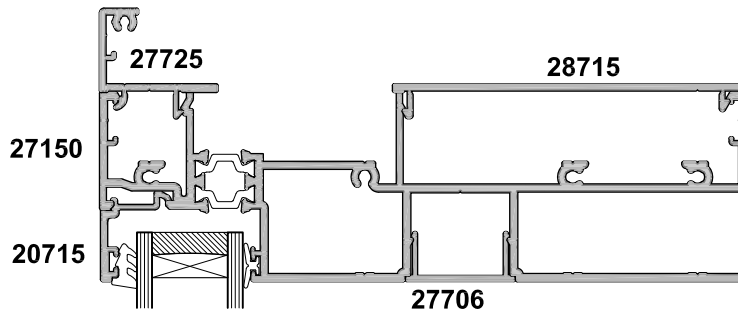
**SECTION A-A**



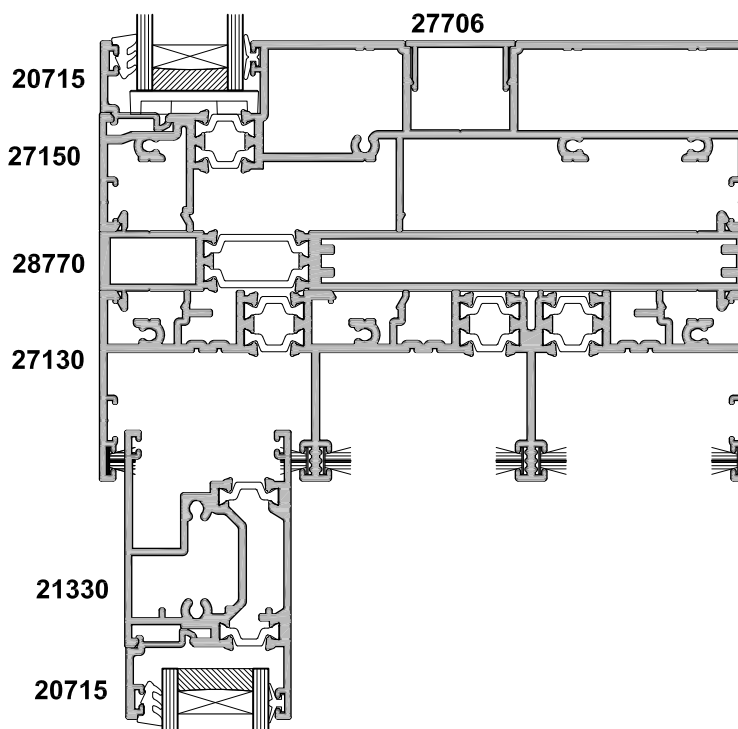


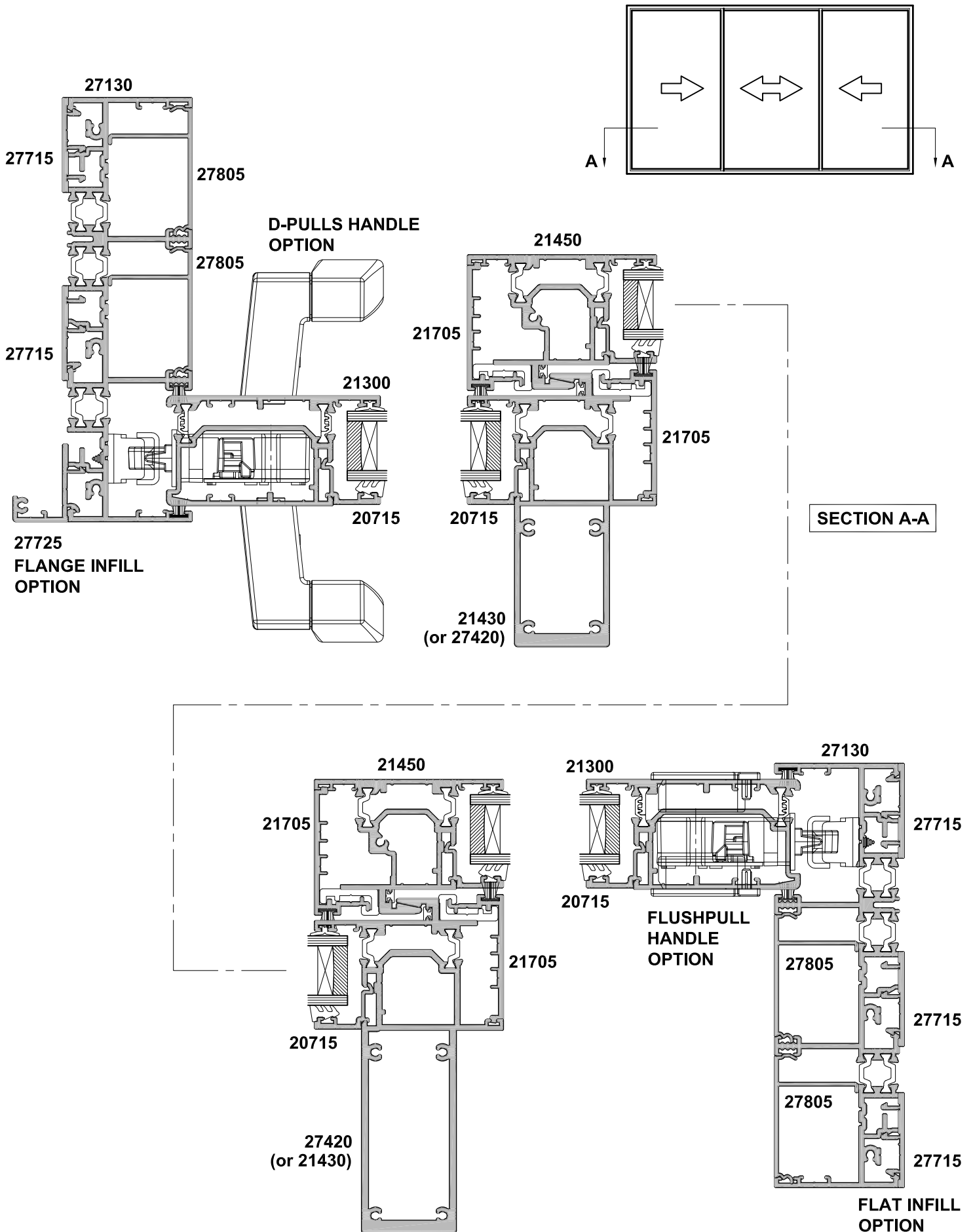


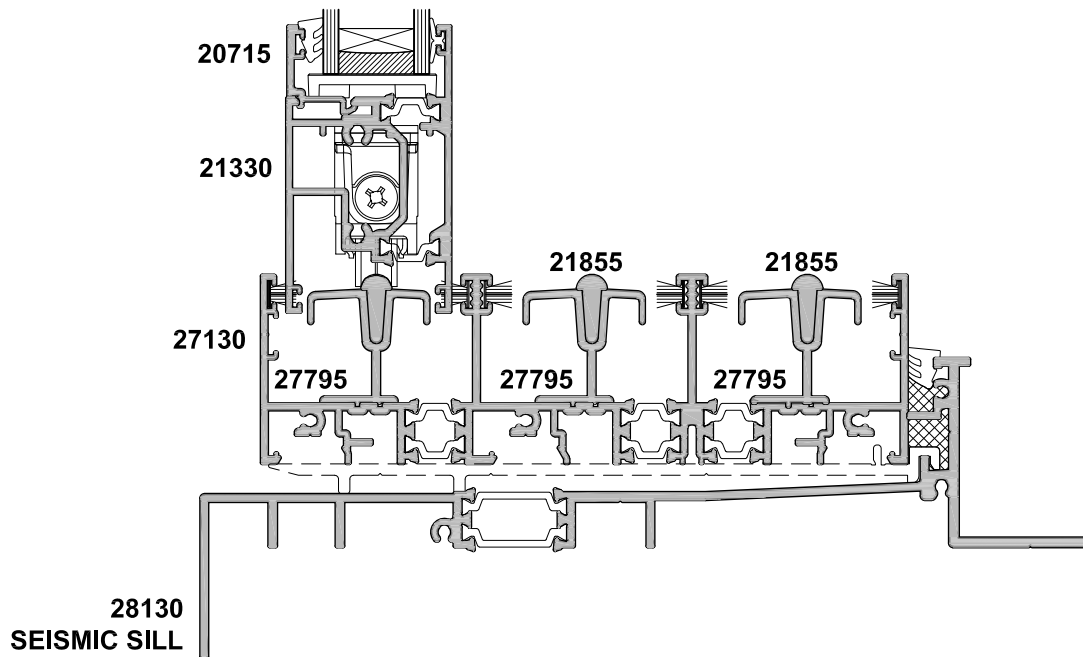
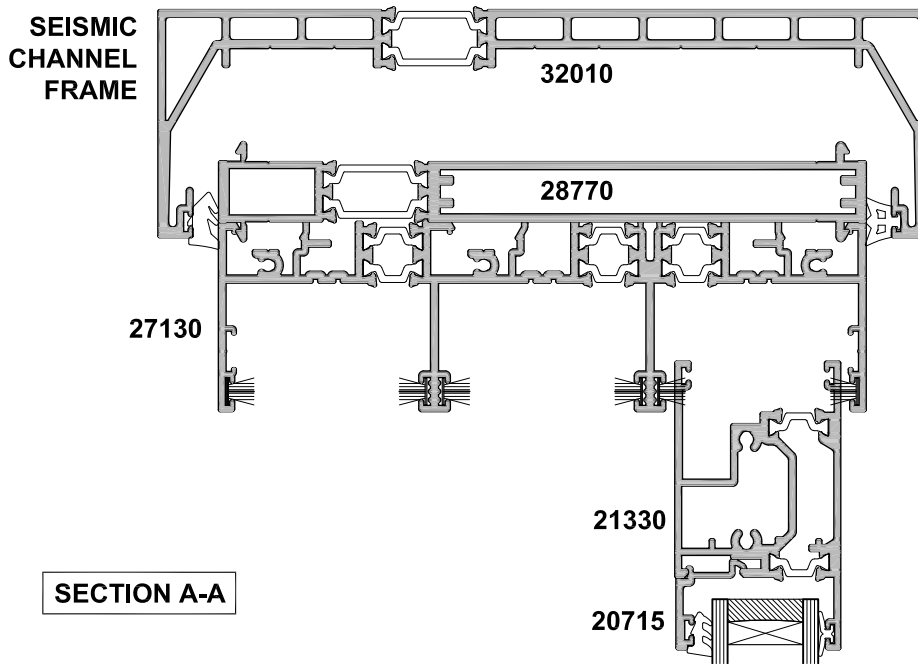
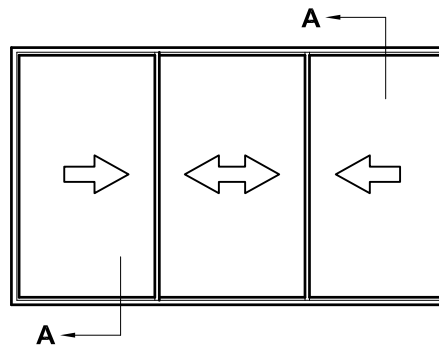
**FLANGE INFILL  
OPTION**

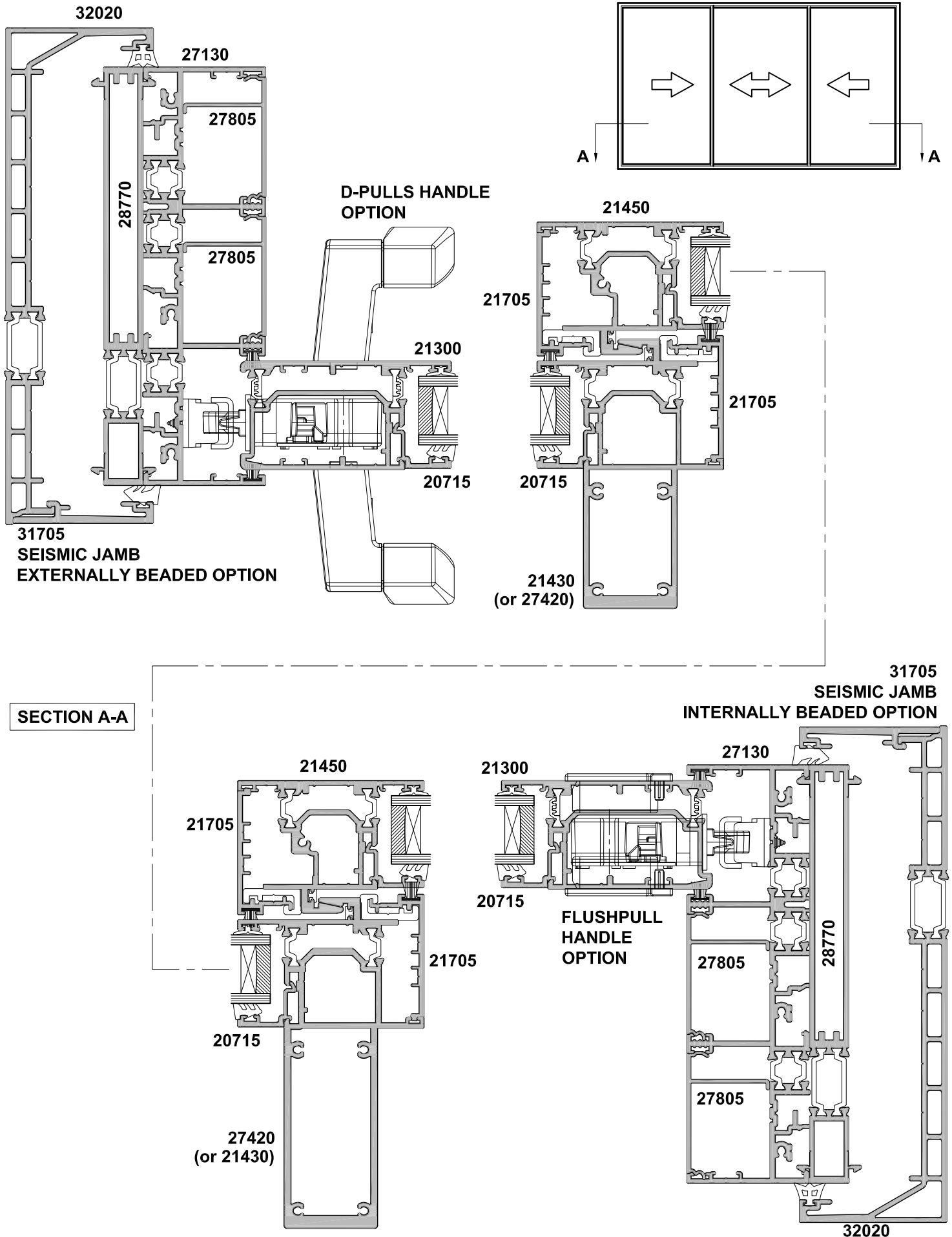


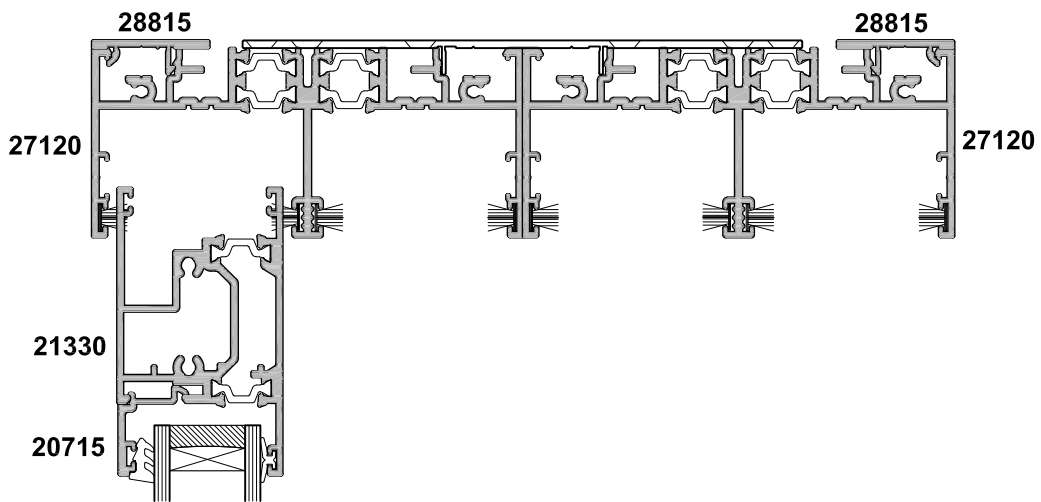
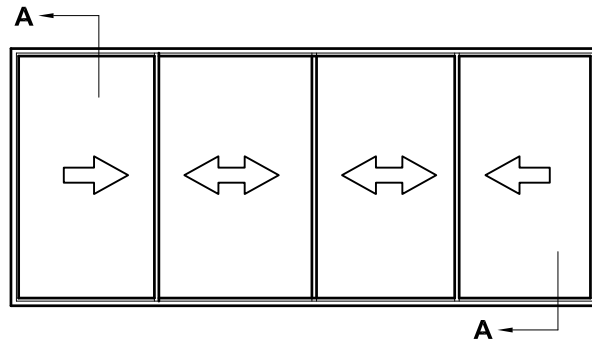
**SECTION A-A**



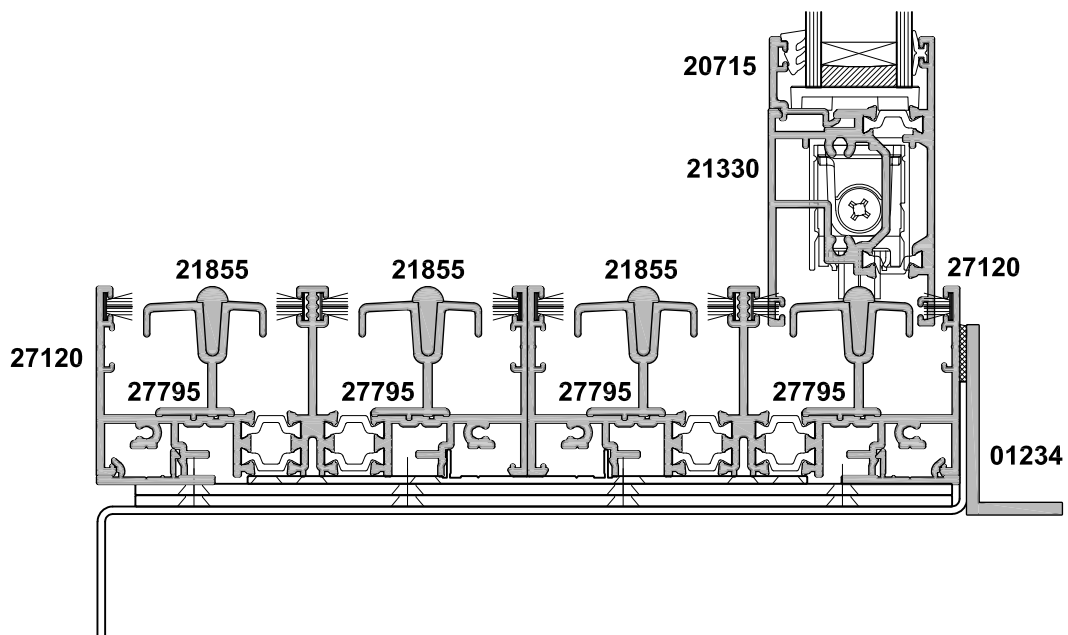


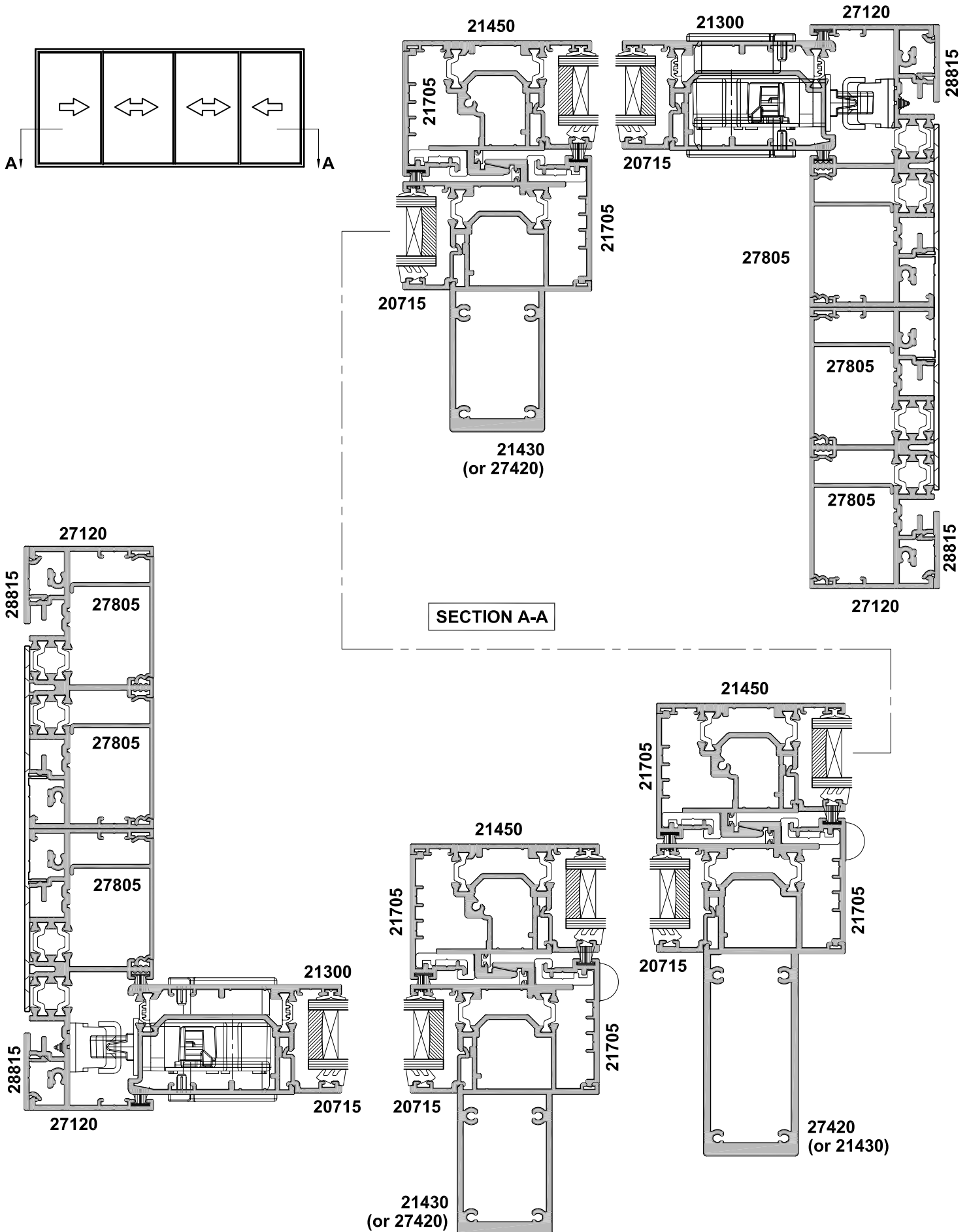


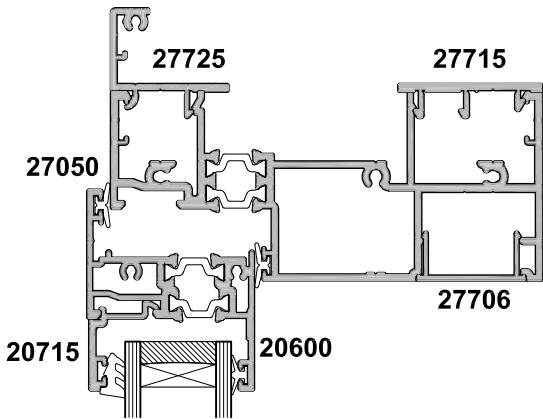
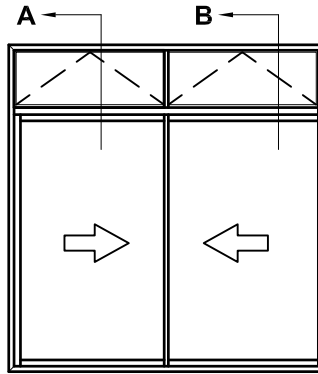




SECTION A-A

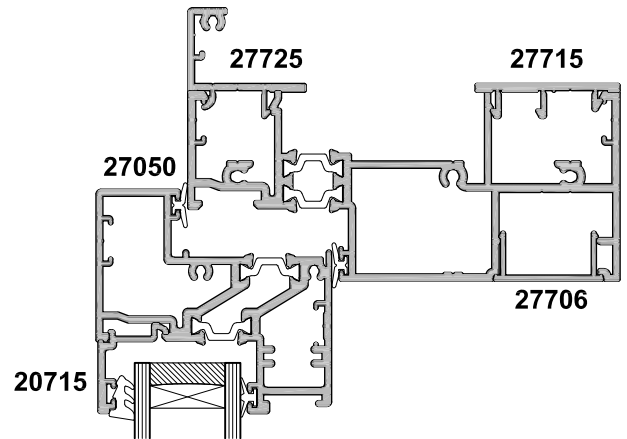






**STANDARD  
SASH OPTION**

**SECTION A-A**



**VENTED SASH  
OPTION**

**SECTION B-B**

