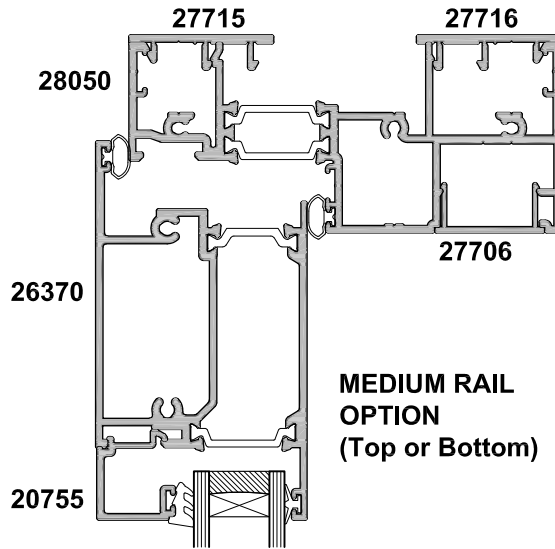
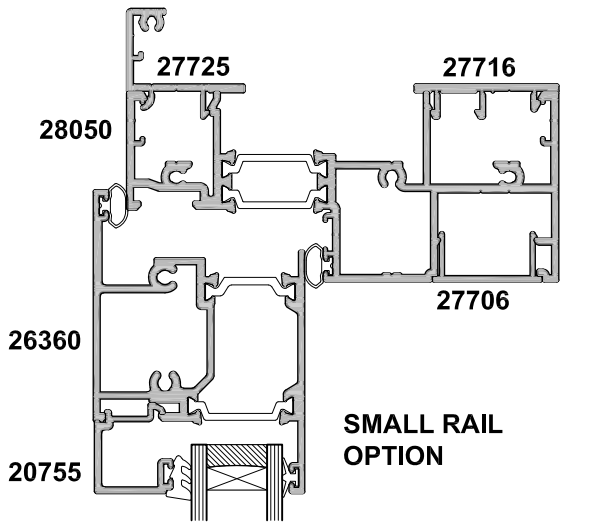


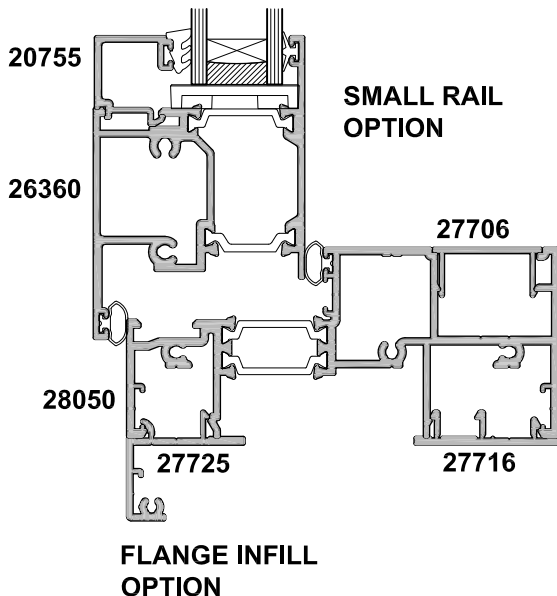
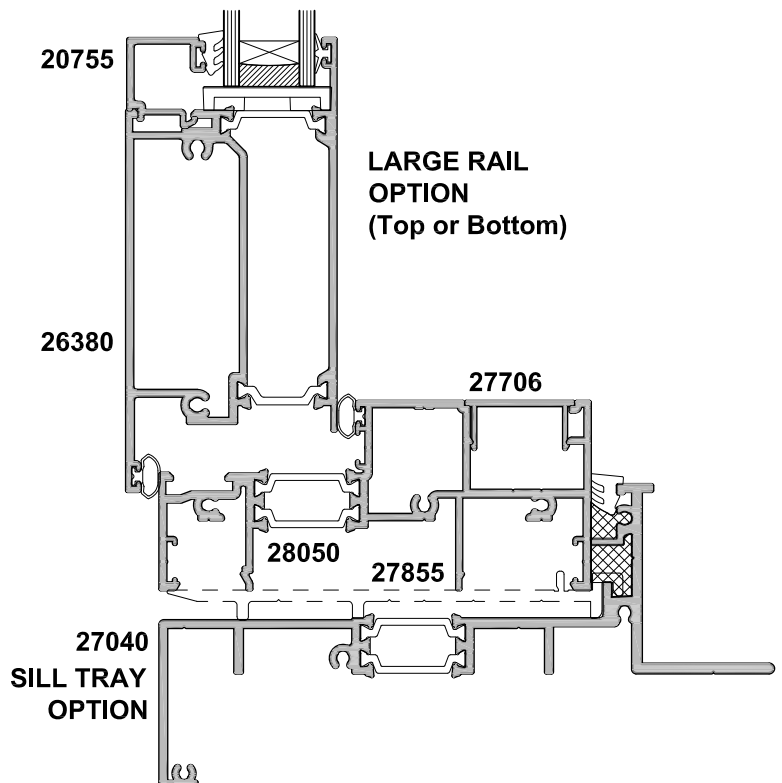
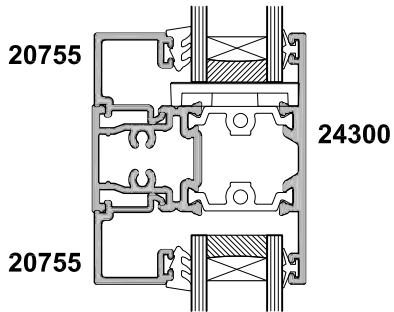
**FLANGE INFILL  
OPTION**

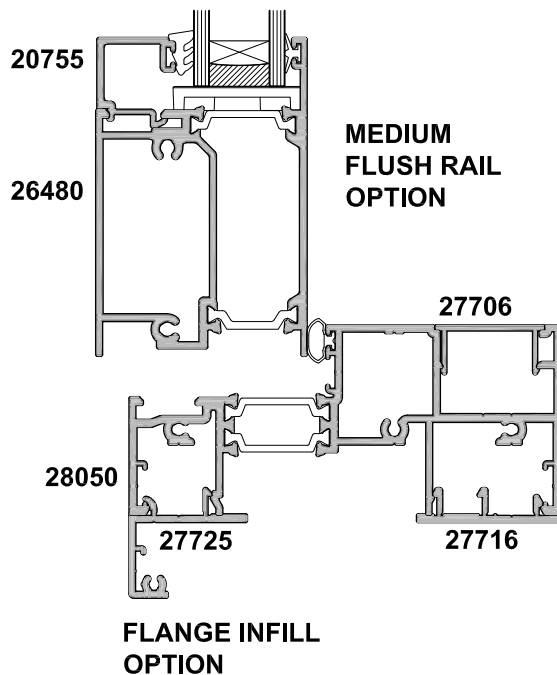
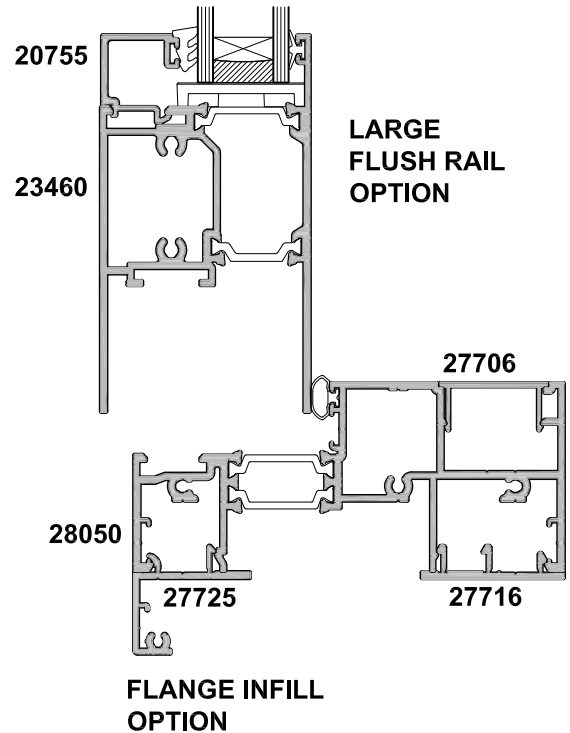
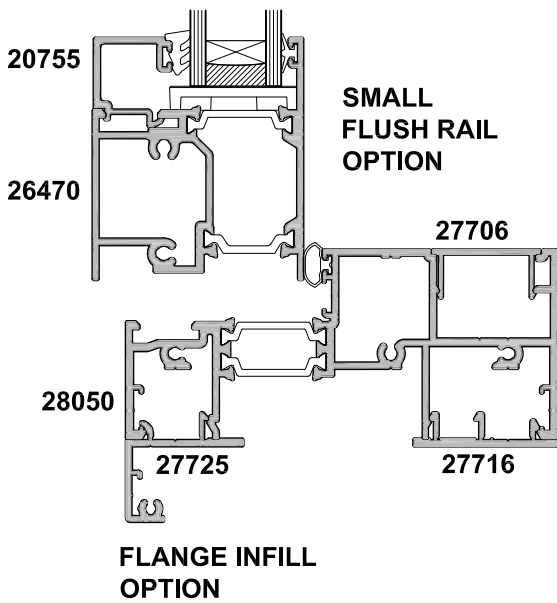
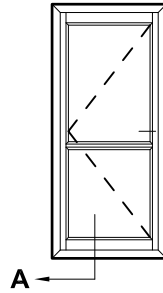
**FLAT INFILL OPTION**

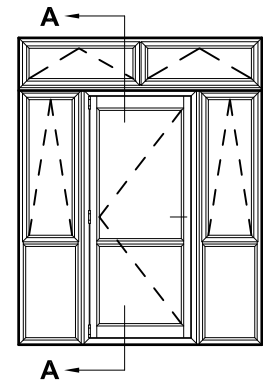
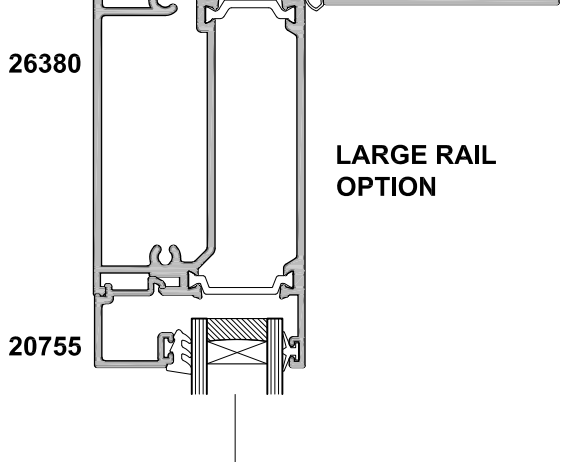
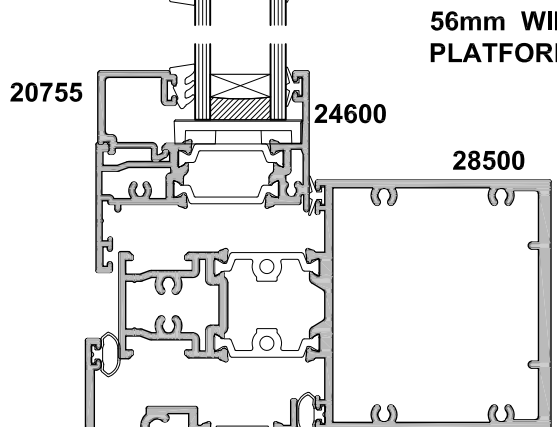
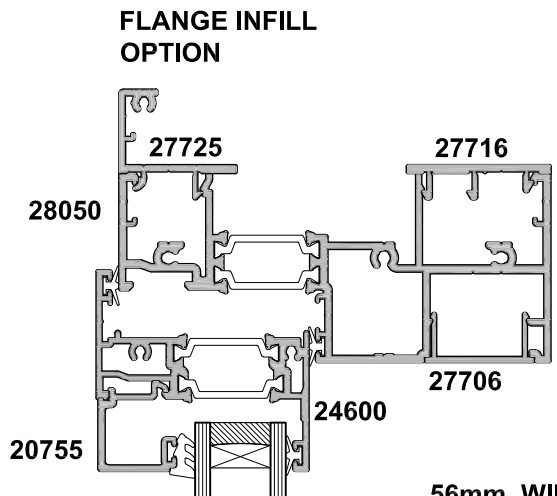


**SECTION A-A**

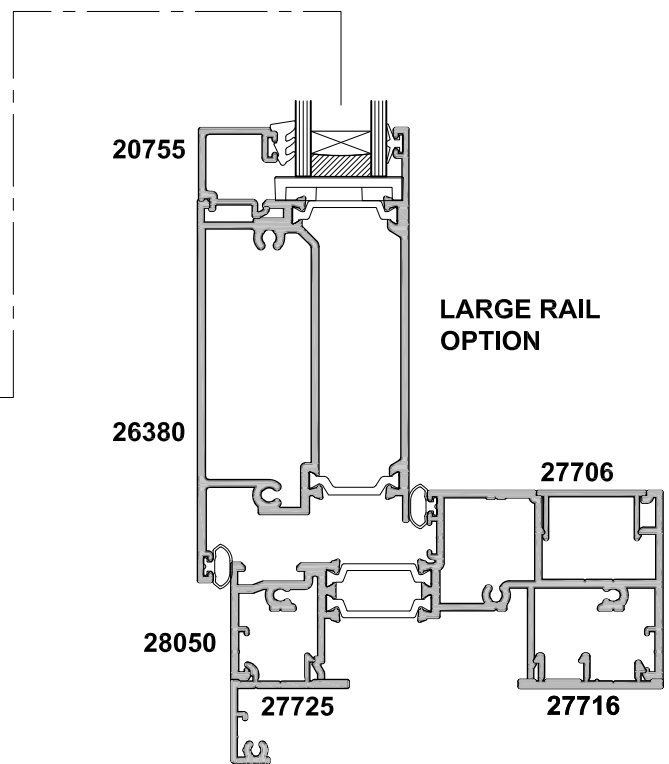
**SECTION B-B**



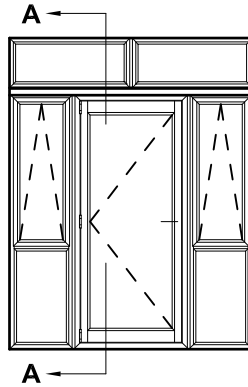




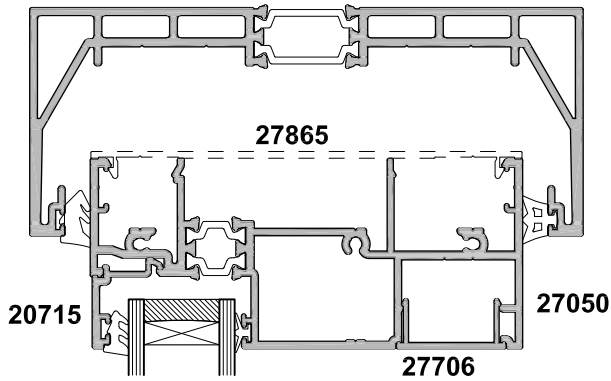
**SECTION A-A**



**FLANGE INFILL OPTION**

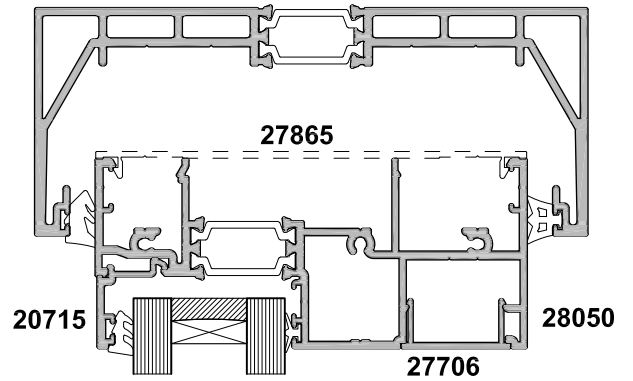


**31010  
SEISMIC HEAD**

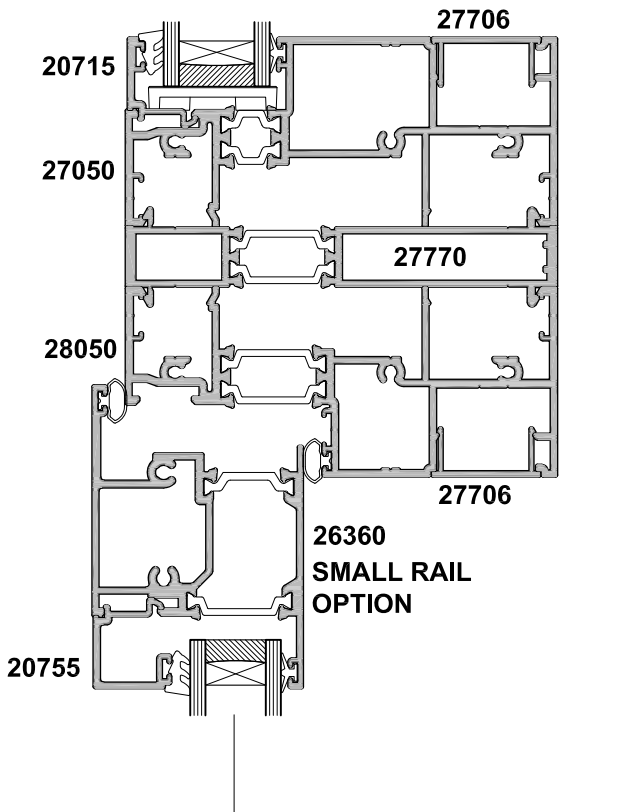


**44mm WINDOW  
PLATFORM OPTION**

**31010  
SEISMIC HEAD**

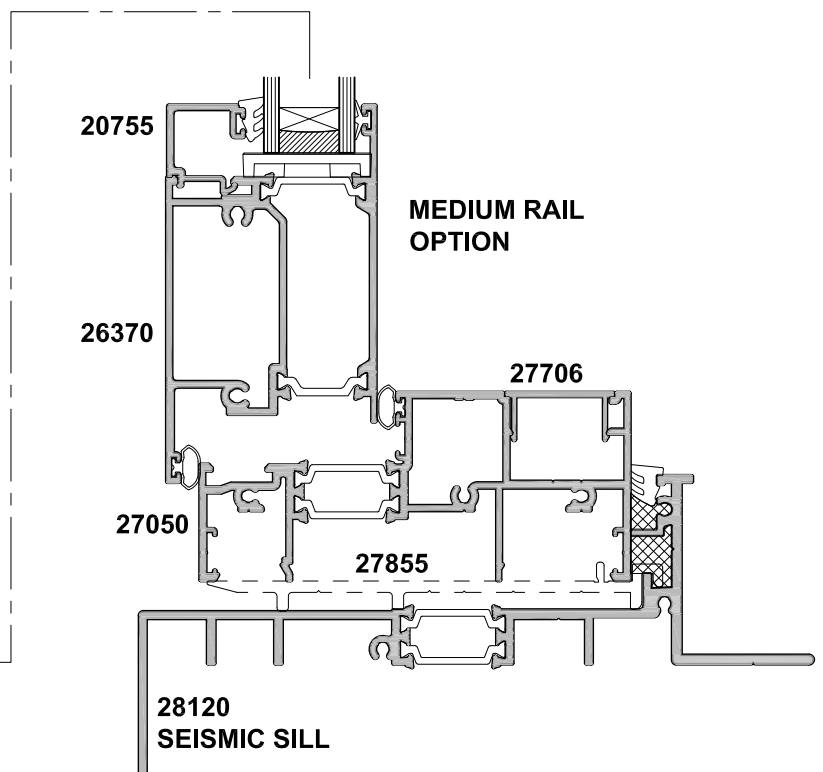


**56mm WINDOW  
PLATFORM OPTION**



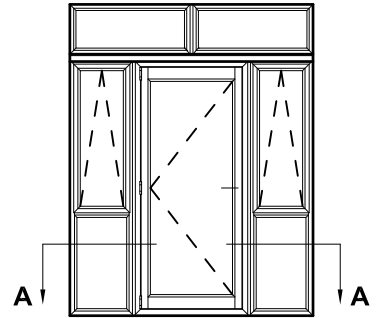
**26360  
SMALL RAIL  
OPTION**

**SECTION A-A**



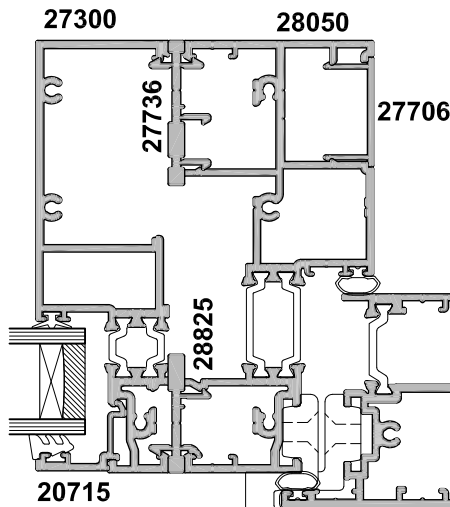
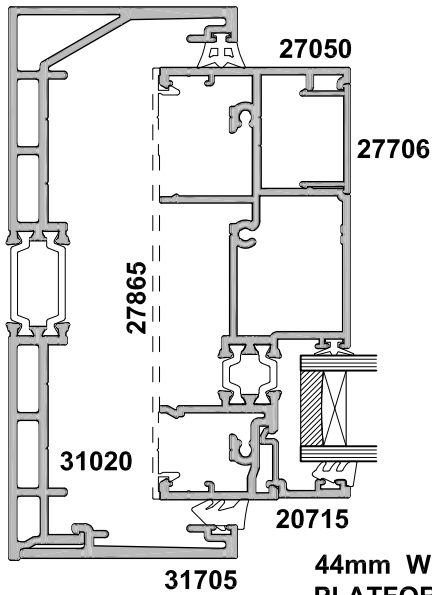
**MEDIUM RAIL  
OPTION**

**28120  
SEISMIC SILL**

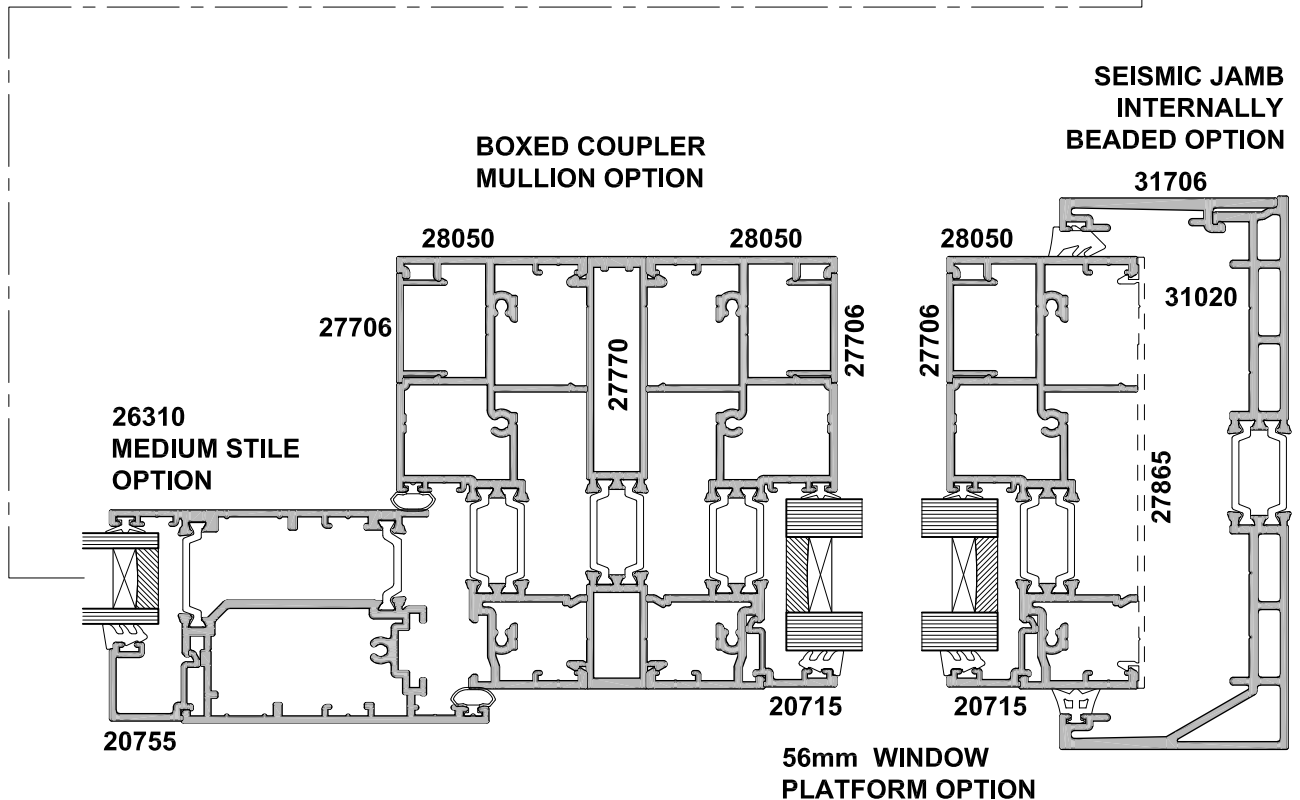


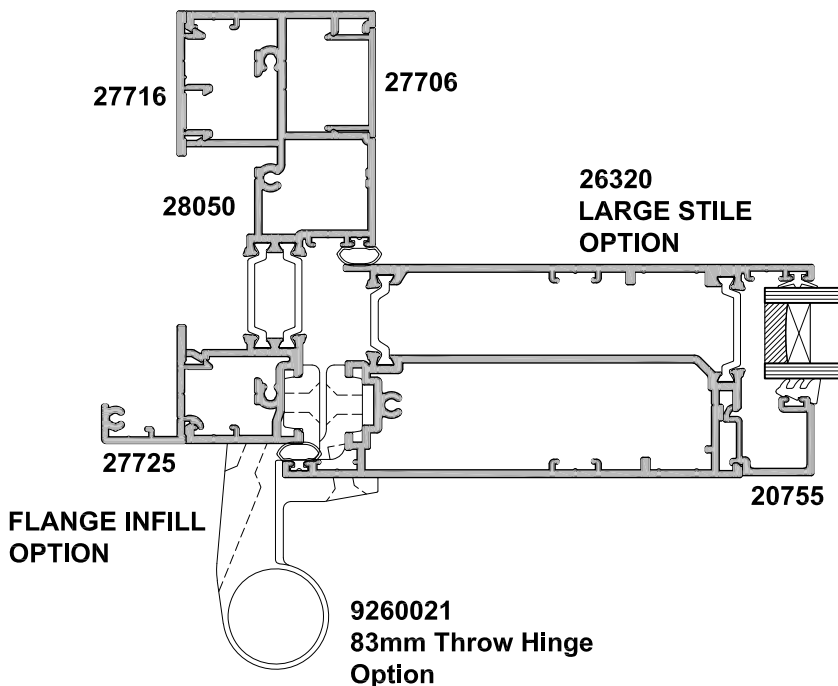
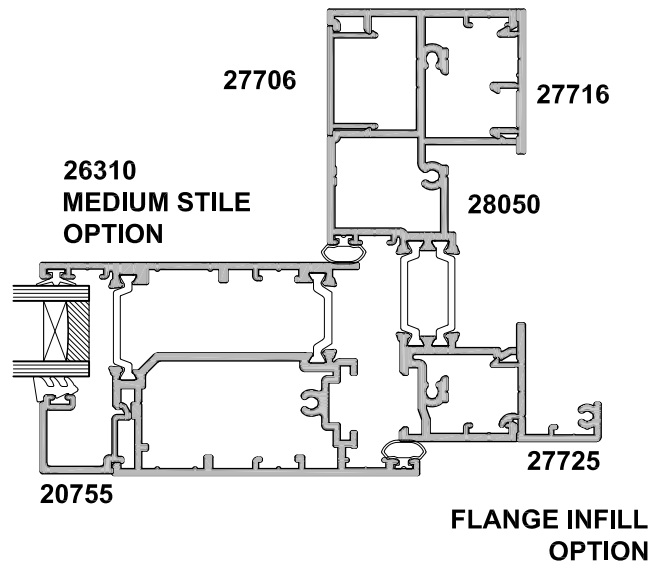
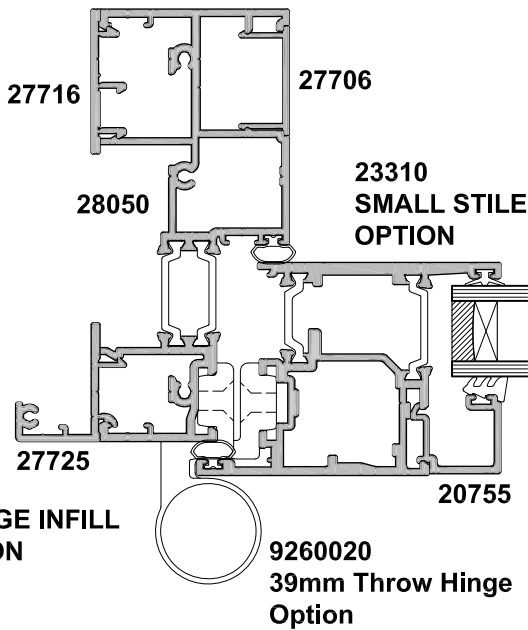
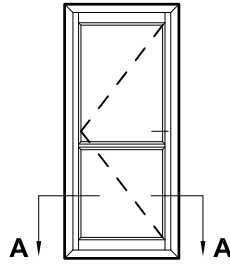
**SEISMIC JAMB  
EXTERNALLY  
BEADED OPTION**

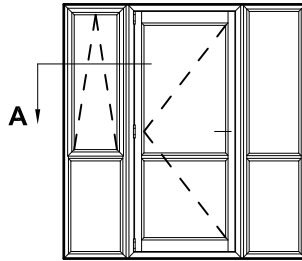
**THIN COUPLER  
MULLION OPTION**



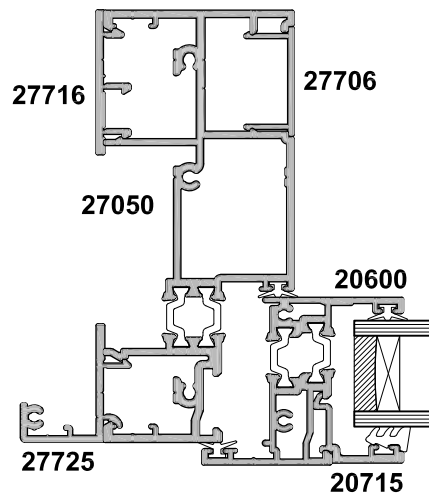
**SECTION A-A**





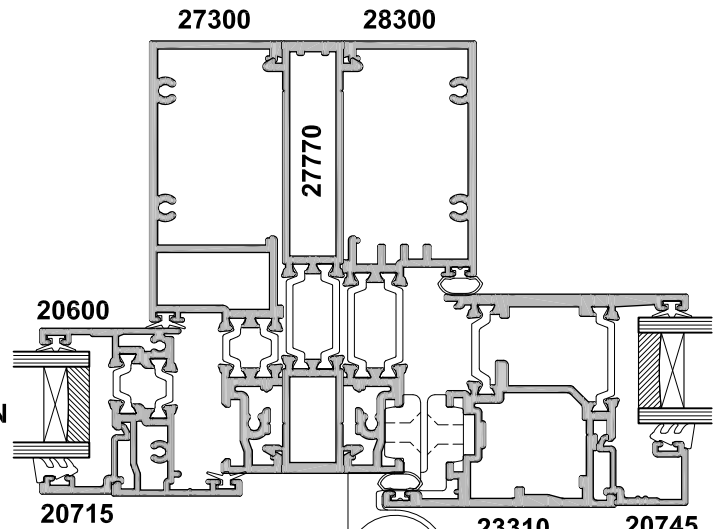


**COUPLE OPTION**



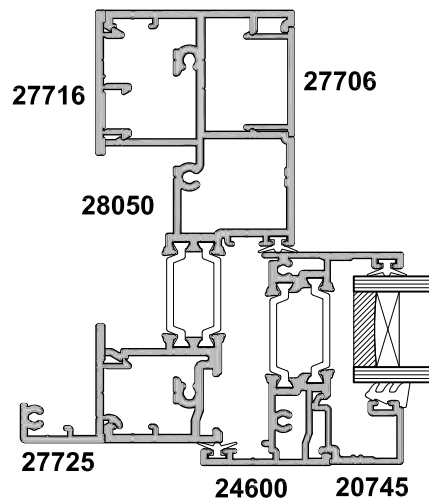
**FLANGE INFILL  
OPTION**

**44mm WINDOW  
PLATFORM OPTION**



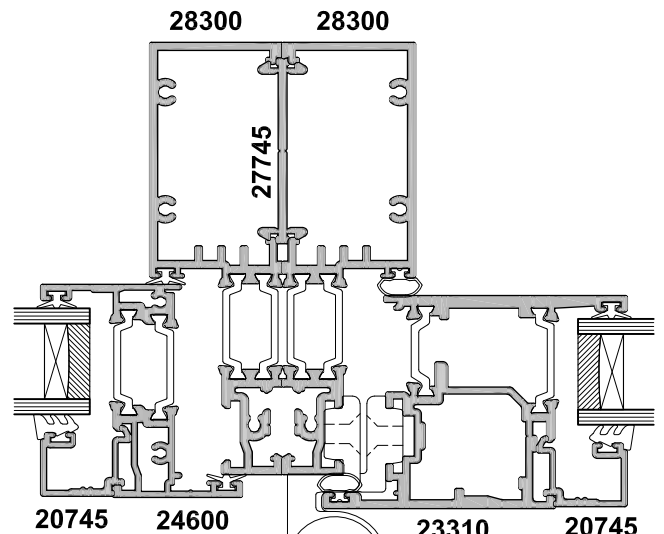
**9260020  
39mm Throw Hinge**

**MULLION OPTION**

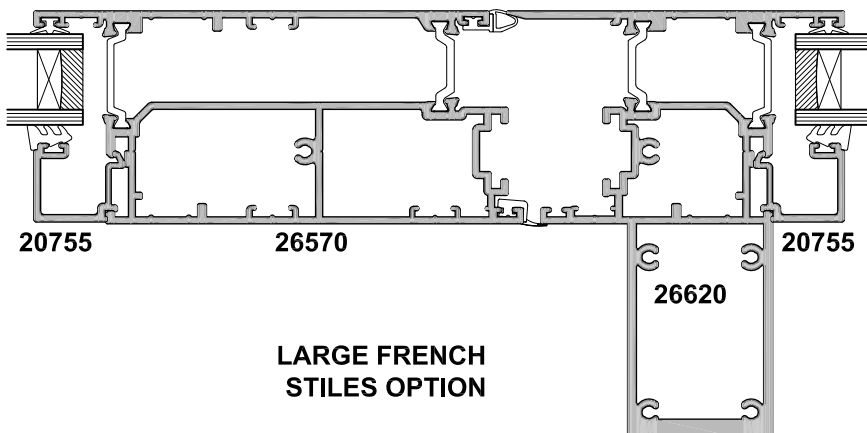
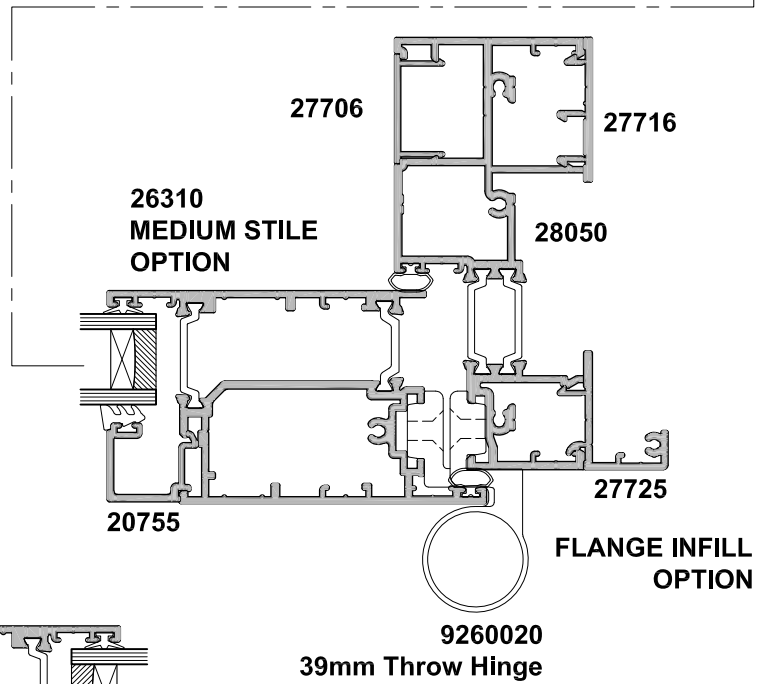
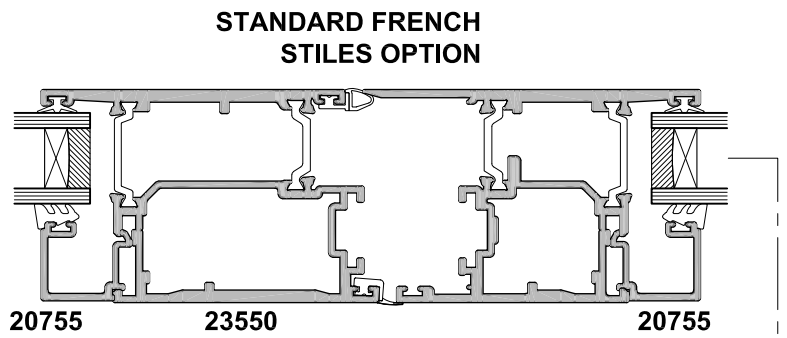
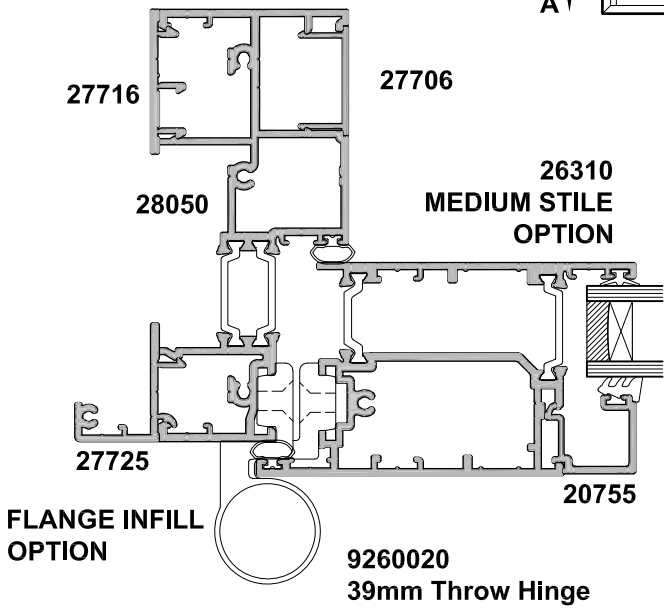
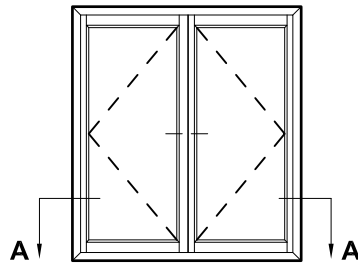


**FLANGE INFILL  
OPTION**

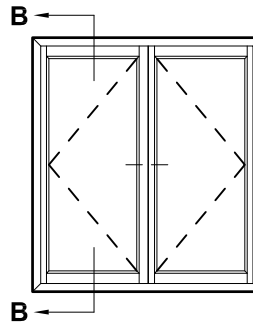
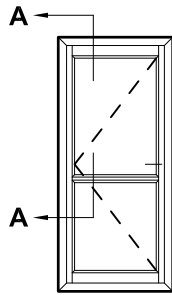
**56mm WINDOW  
PLATFORM OPTION**



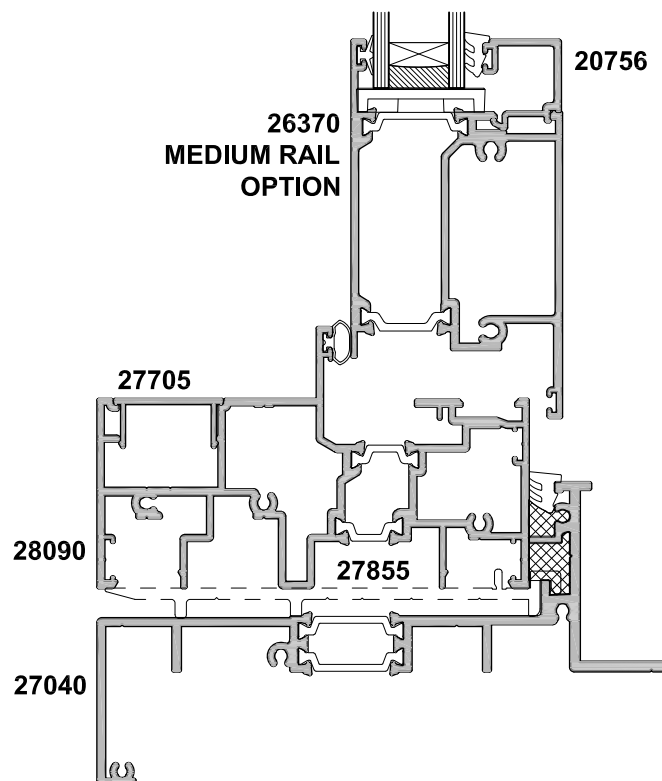
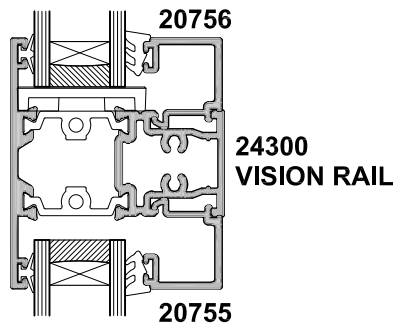
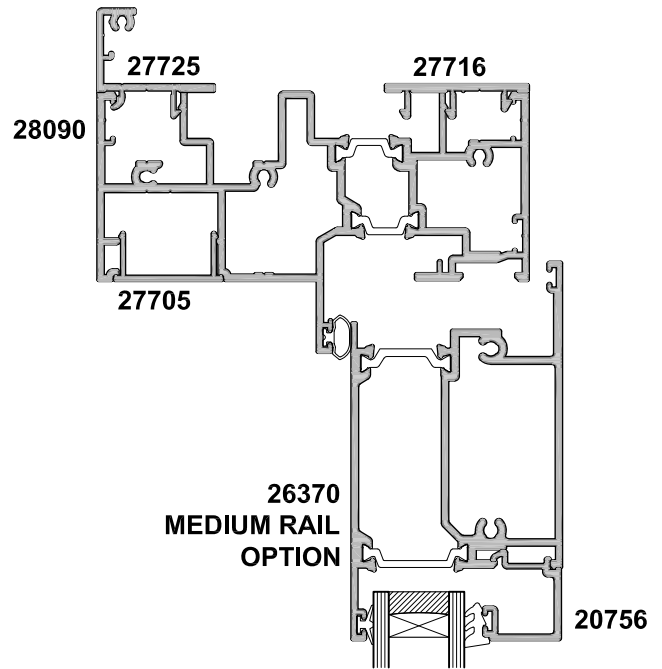
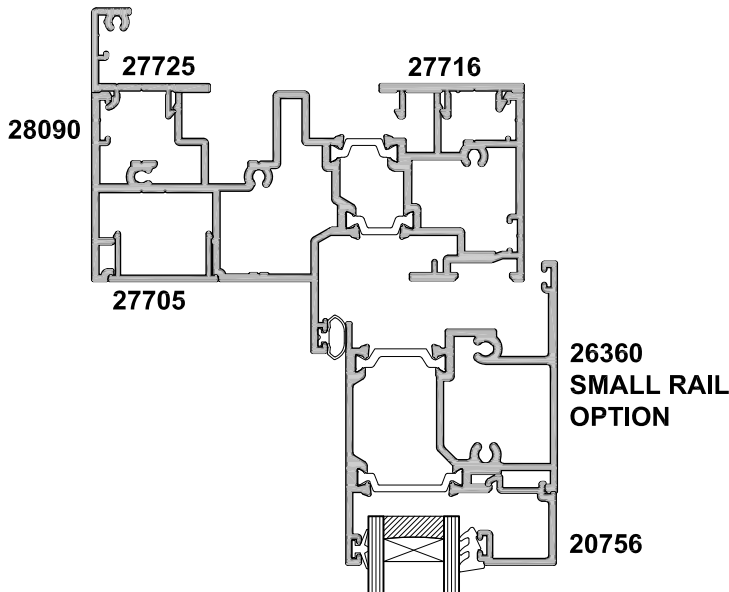
**9260020  
39mm Throw Hinge**

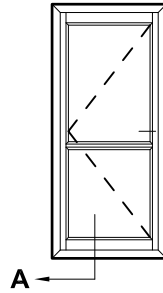




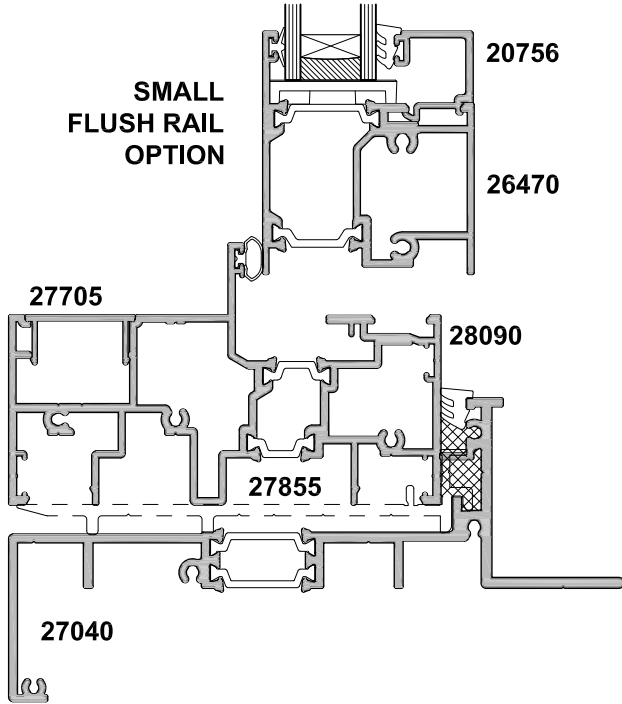


**FLANGE INFILL  
OPTION**

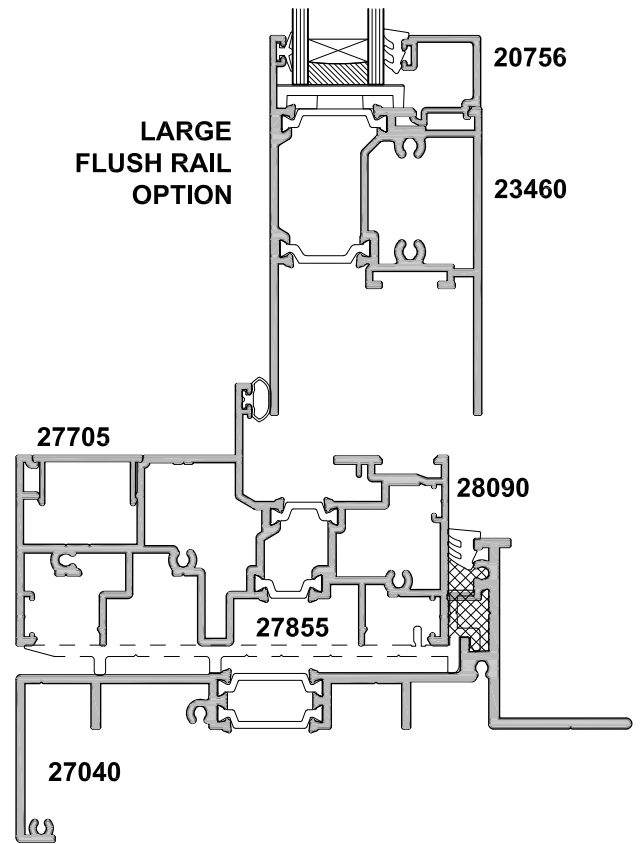




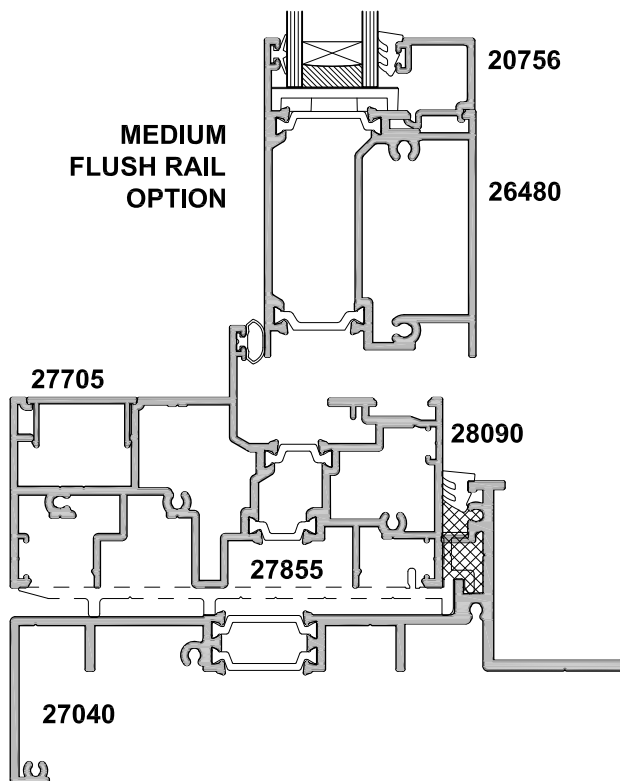
**SMALL  
FLUSH RAIL  
OPTION**

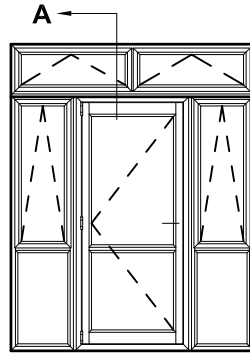


**LARGE  
FLUSH RAIL  
OPTION**

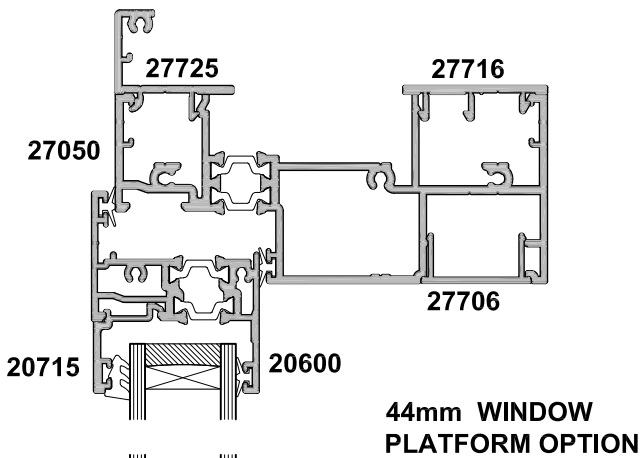


**MEDIUM  
FLUSH RAIL  
OPTION**

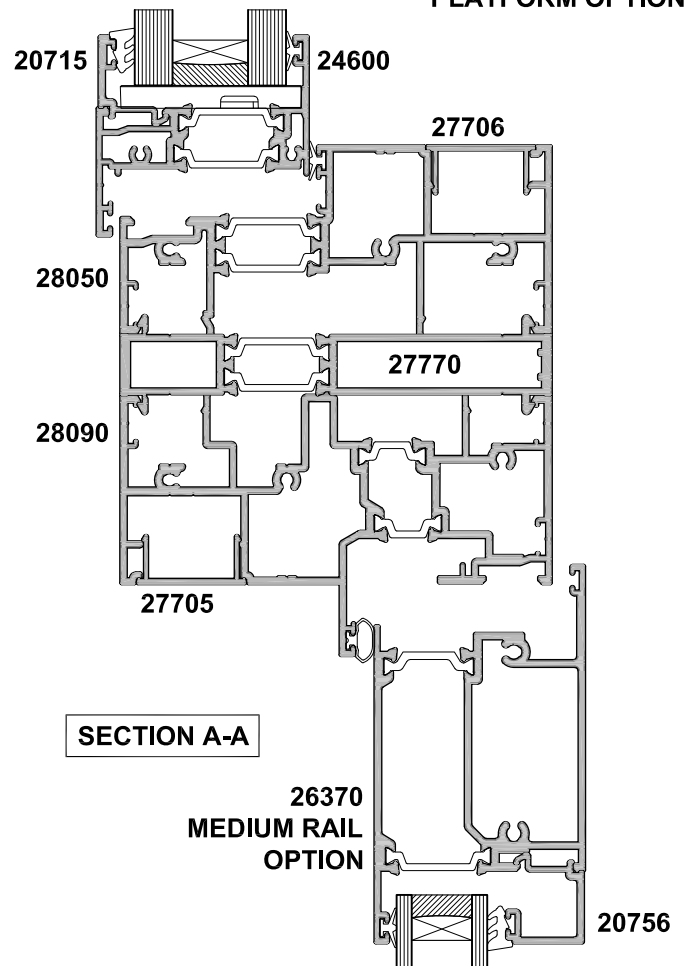
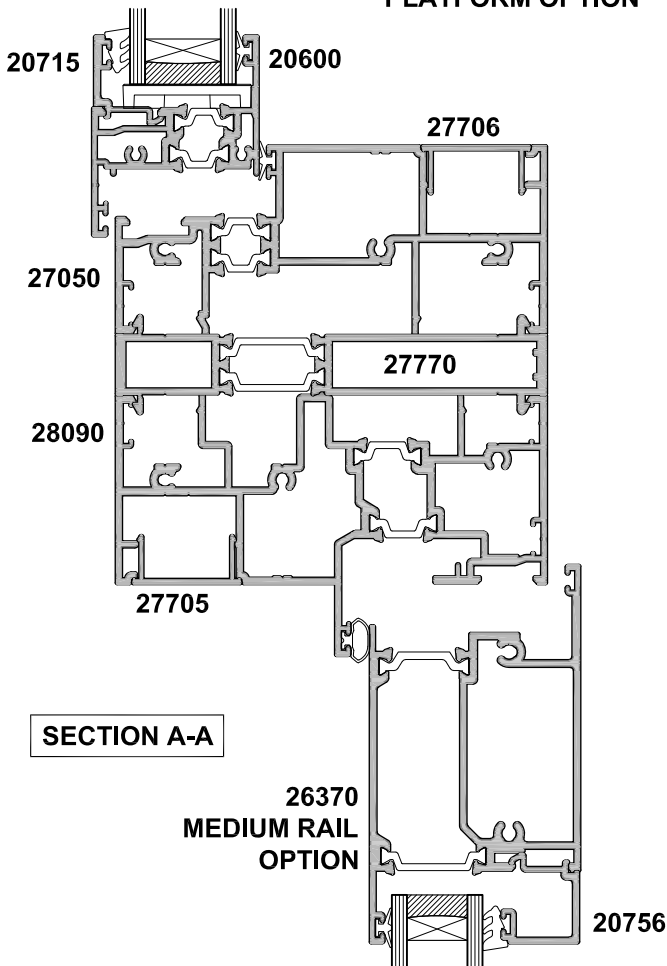
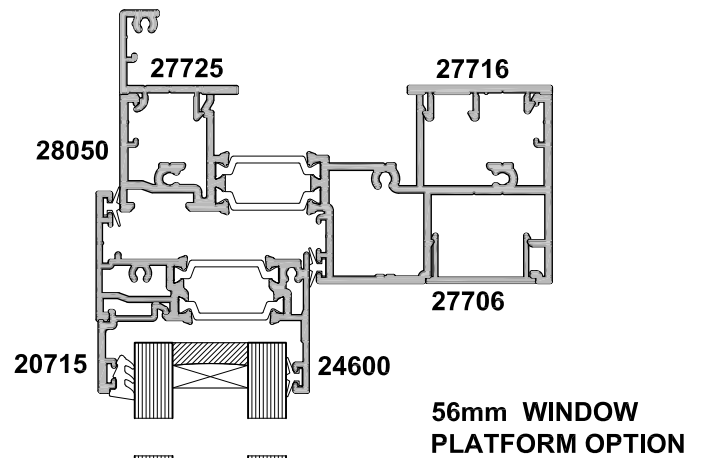


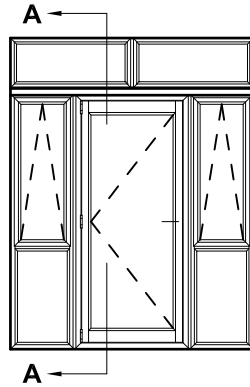


**FLANGE INFILL  
OPTION**

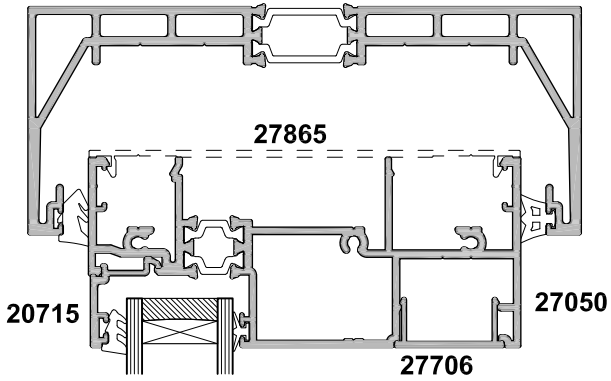


**FLANGE INFILL  
OPTION**

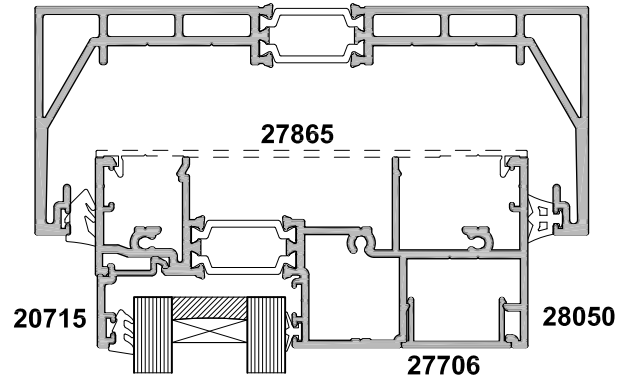




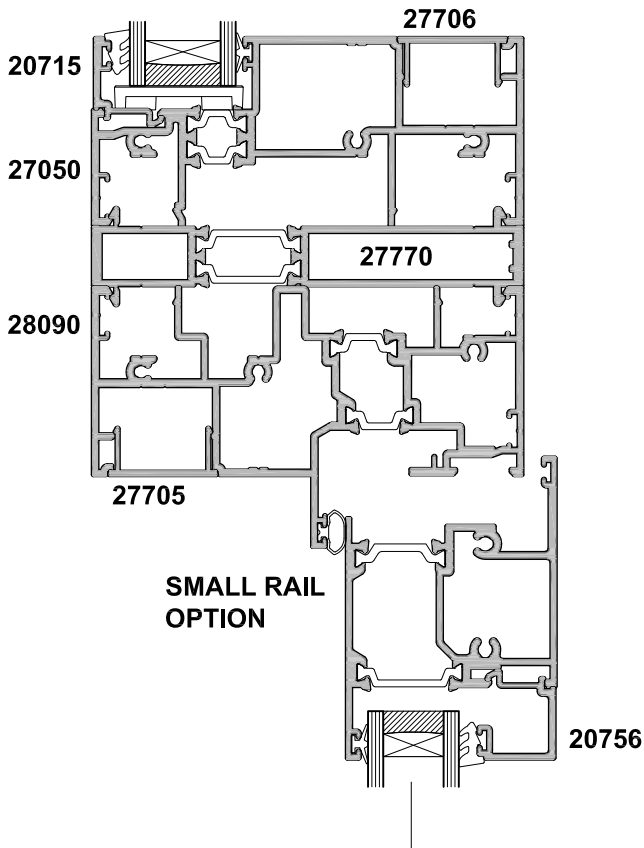
**31010  
SEISMIC HEAD**



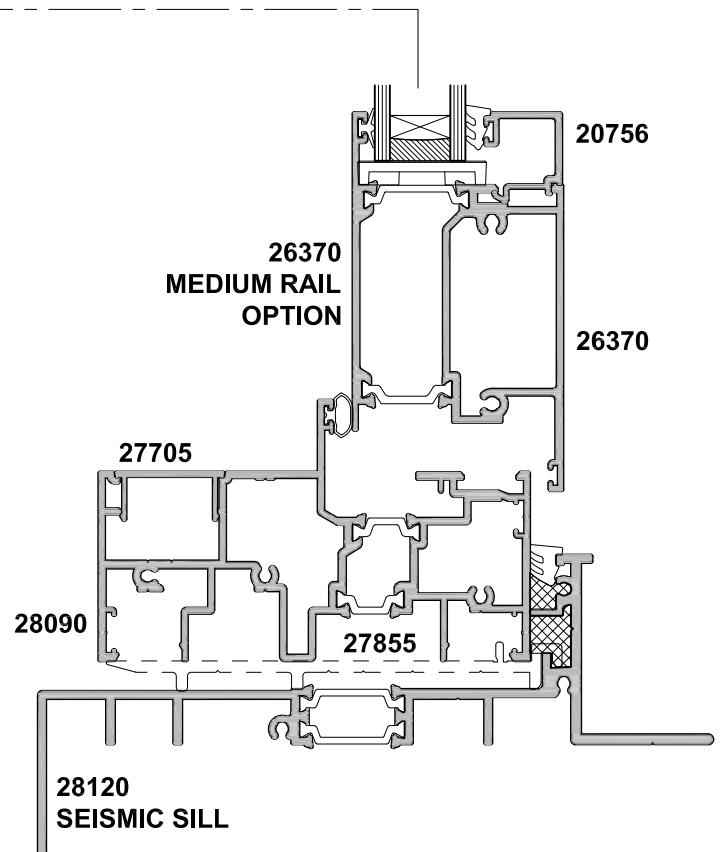
**31010  
SEISMIC HEAD**



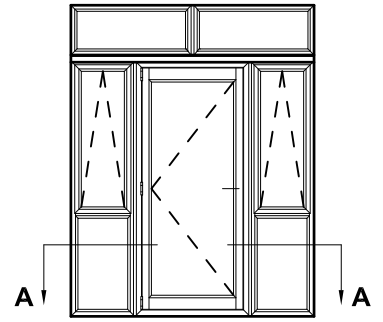
**44mm WINDOW  
PLATFORM OPTION**



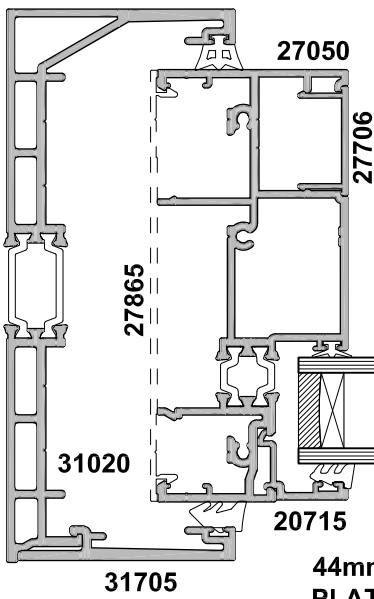
**56mm WINDOW  
PLATFORM OPTION**



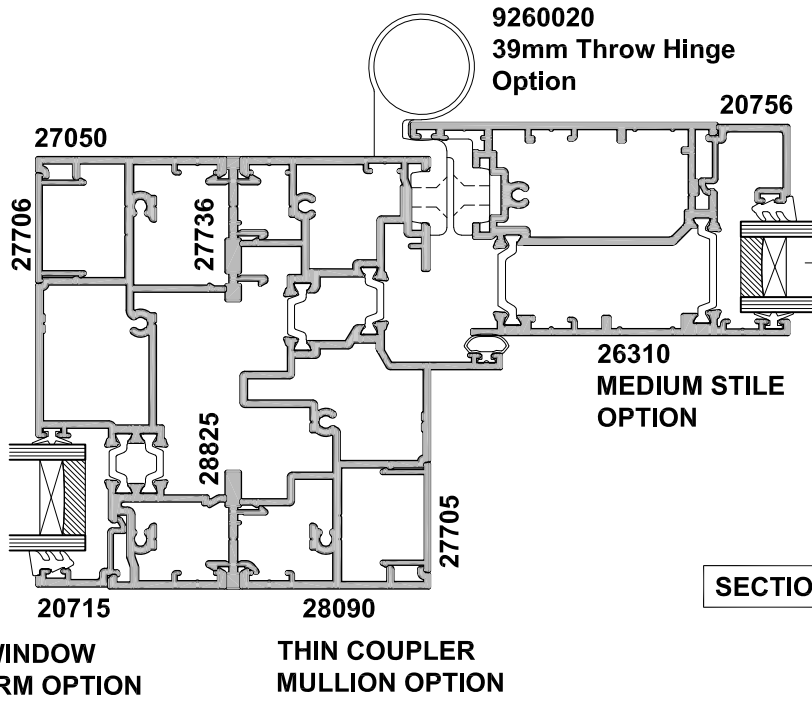
**SECTION A-A**



**SEISMIC JAMB  
EXTERNALLY  
BEADED OPTION**



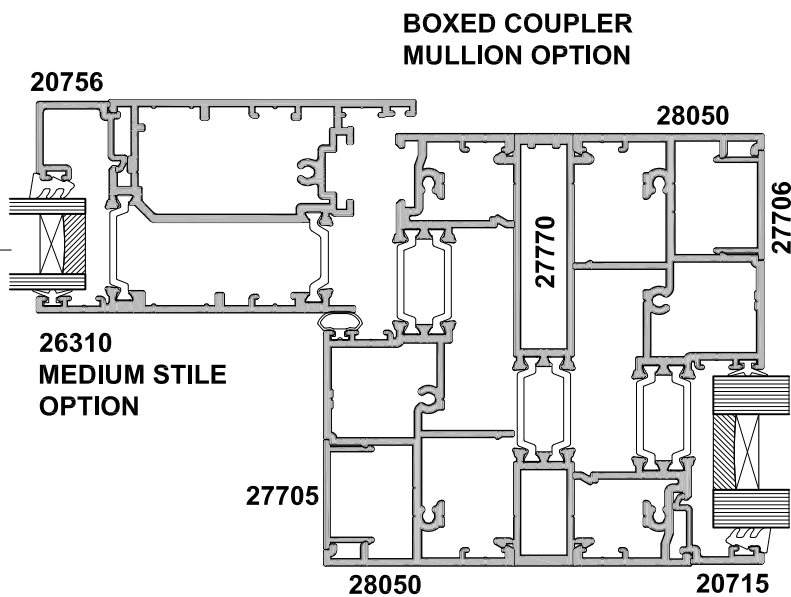
**44mm WINDOW  
PLATFORM OPTION**



**THIN COUPLER  
MULLION OPTION**

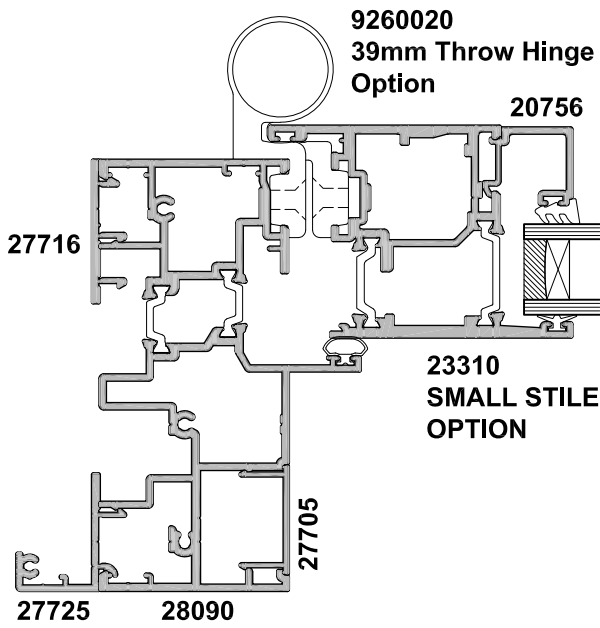
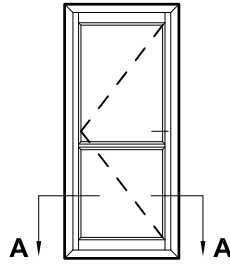
**SECTION A-A**

**SEISMIC JAMB  
INTERNALLY  
BEADED OPTION**

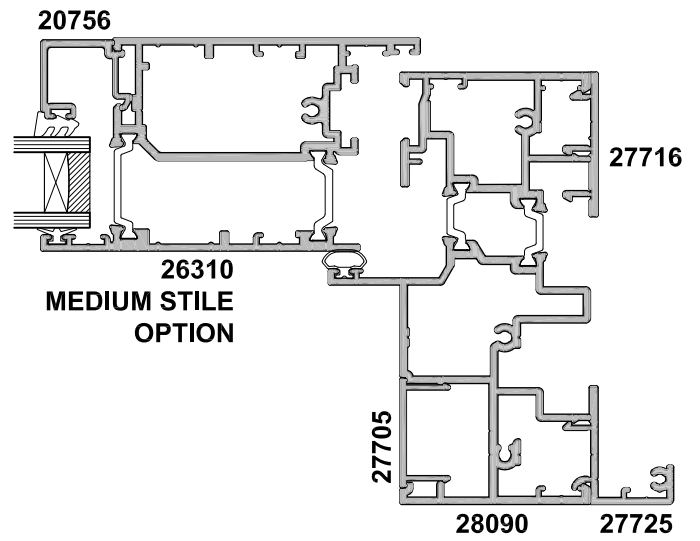


**BOXED COUPLER  
MULLION OPTION**

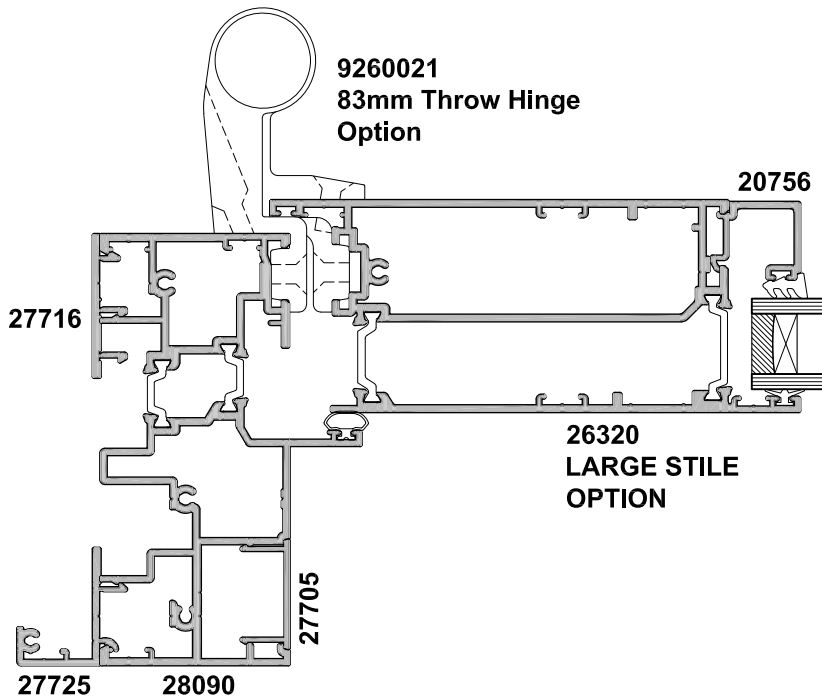
**56mm WINDOW  
PLATFORM OPTION**



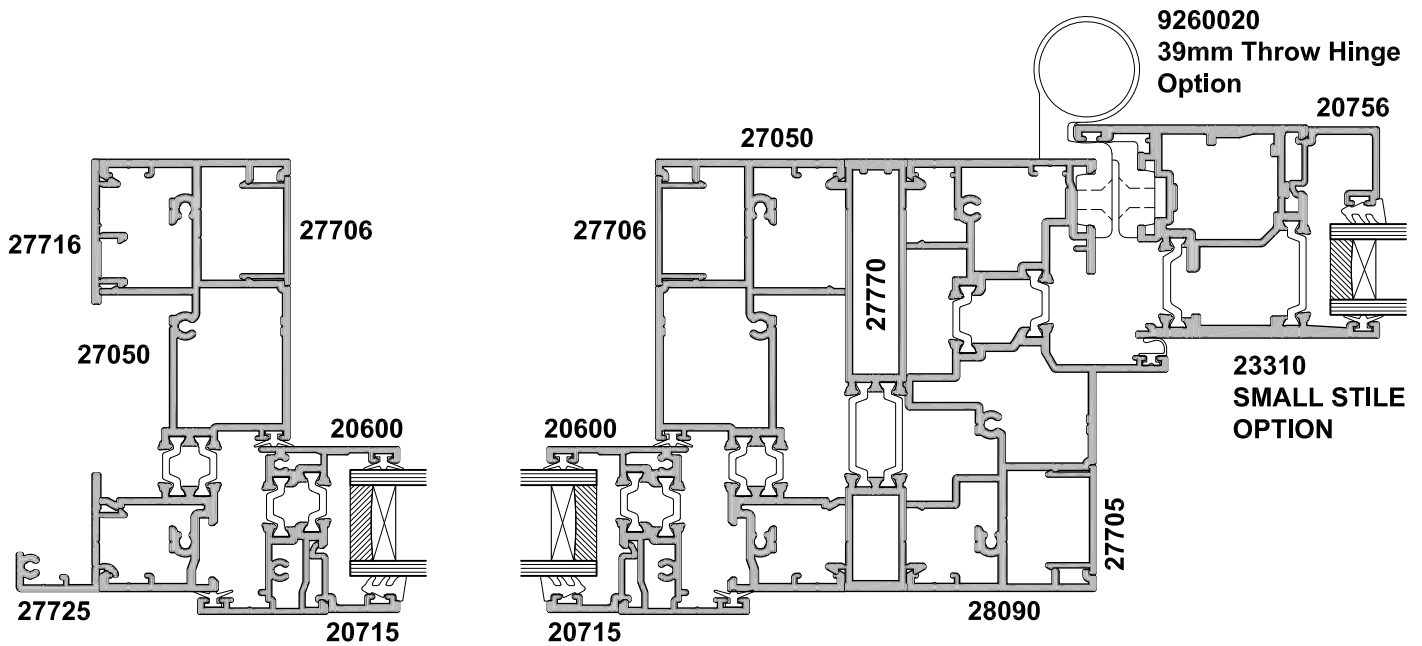
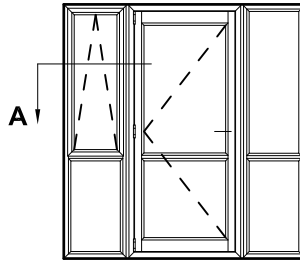
FLANGE INFILL  
OPTION



FLANGE INFILL  
OPTION

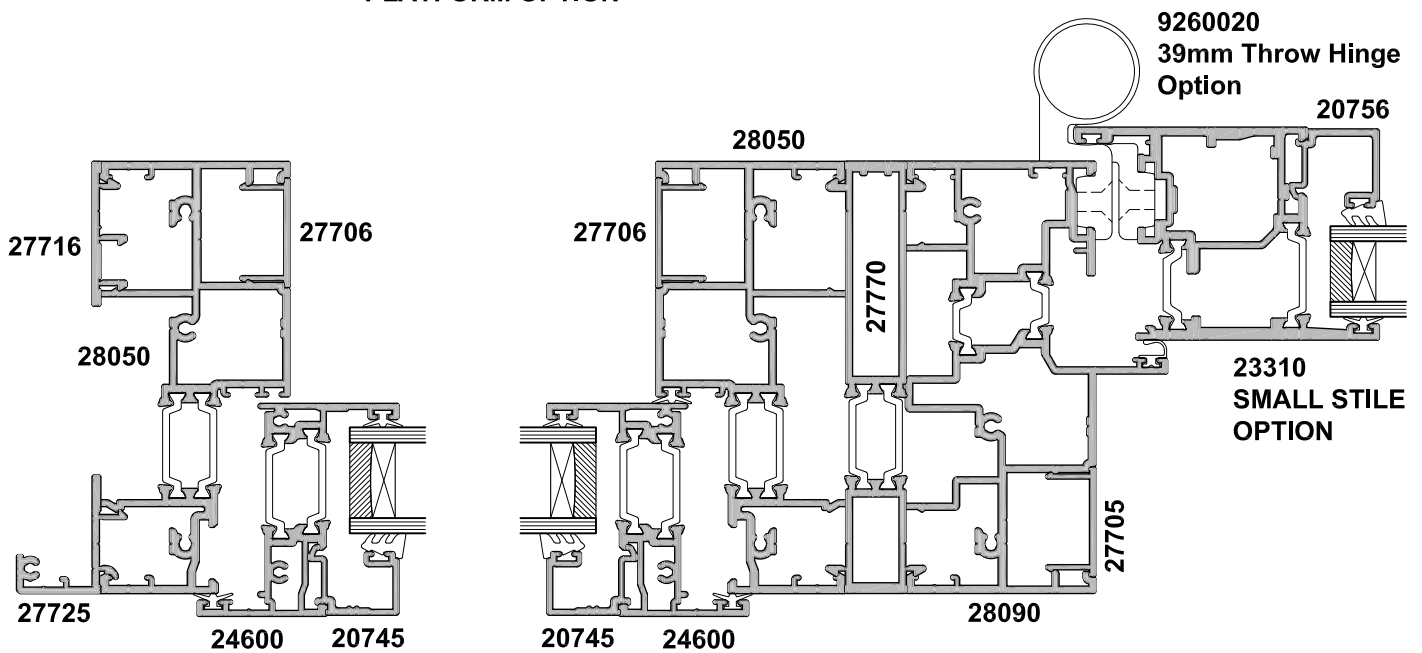


FLANGE INFILL  
OPTION



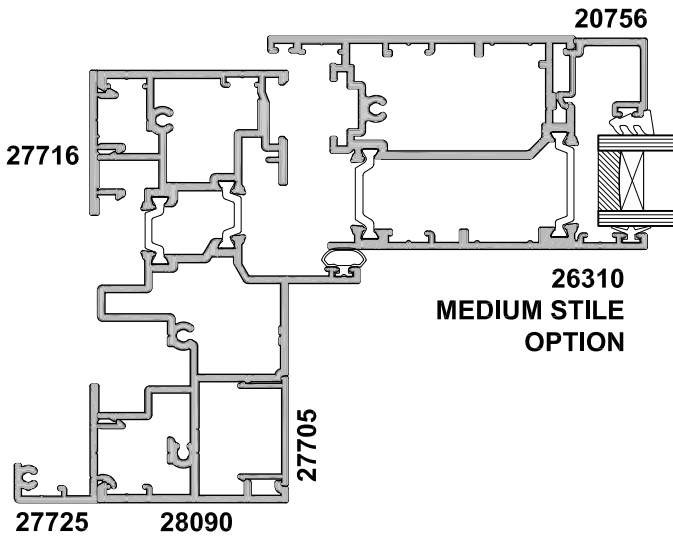
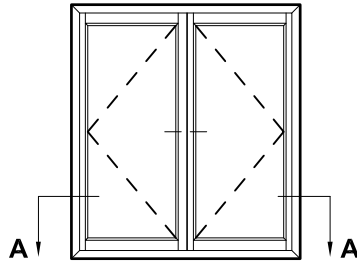
**FLANGE INFILL  
OPTION**

**44mm WINDOW  
PLATFORM OPTION**

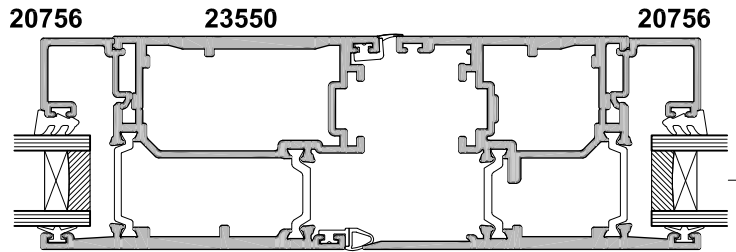


**FLANGE INFILL  
OPTION**

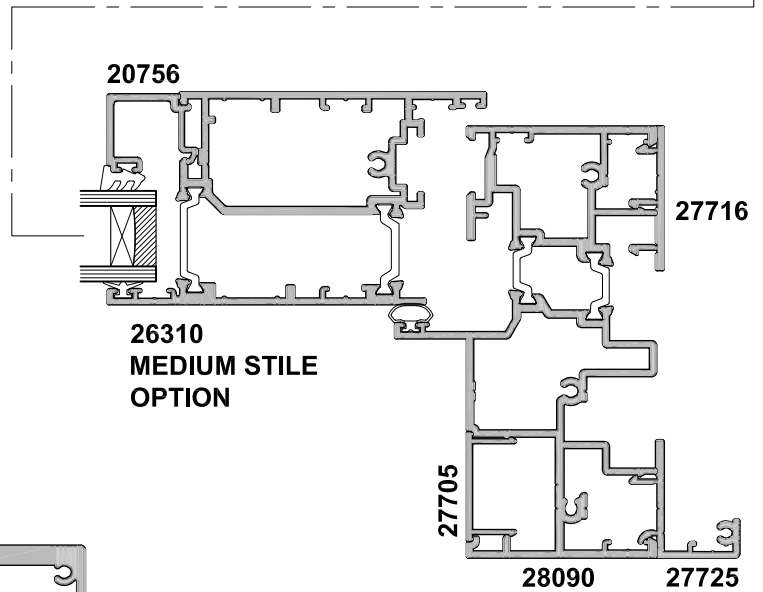
**56mm WINDOW  
PLATFORM OPTION**



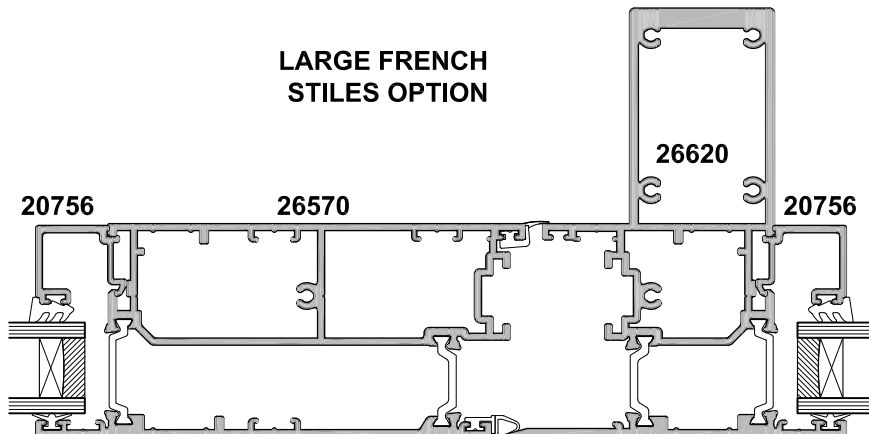
**FLANGE INFILL  
OPTION**



**STANDARD FRENCH  
STILES OPTION**



**FLANGE INFILL  
OPTION**



**LARGE FRENCH  
STILES OPTION**