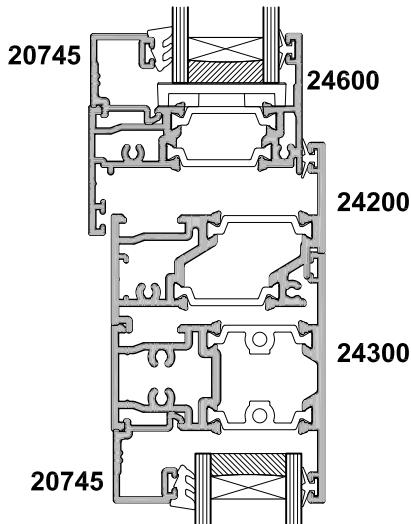
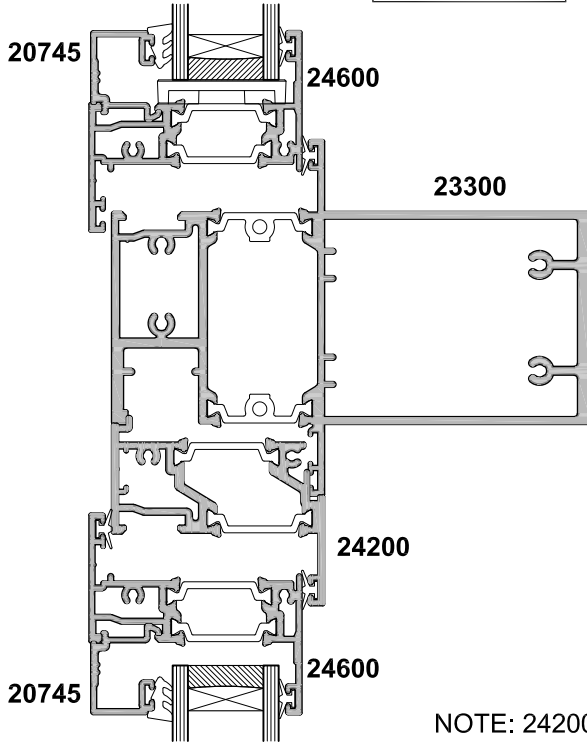
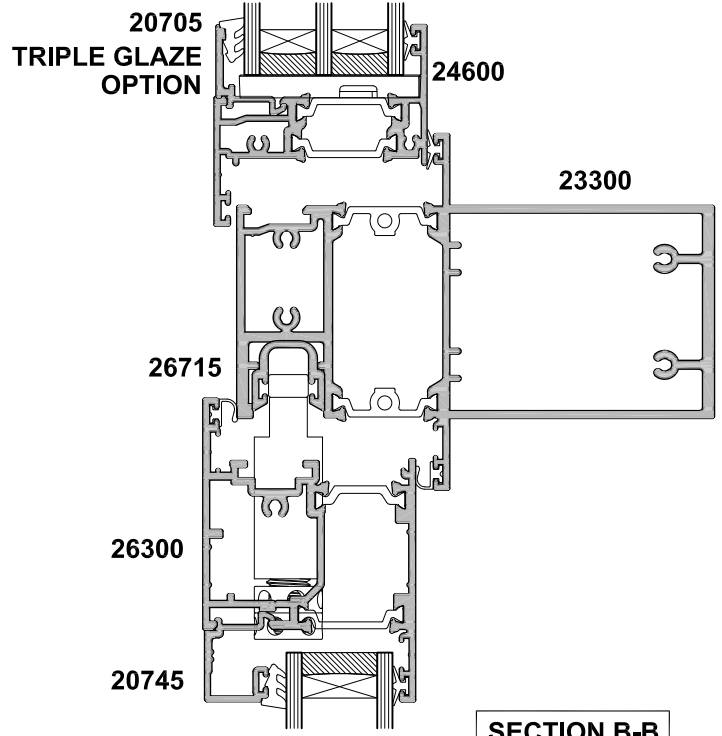


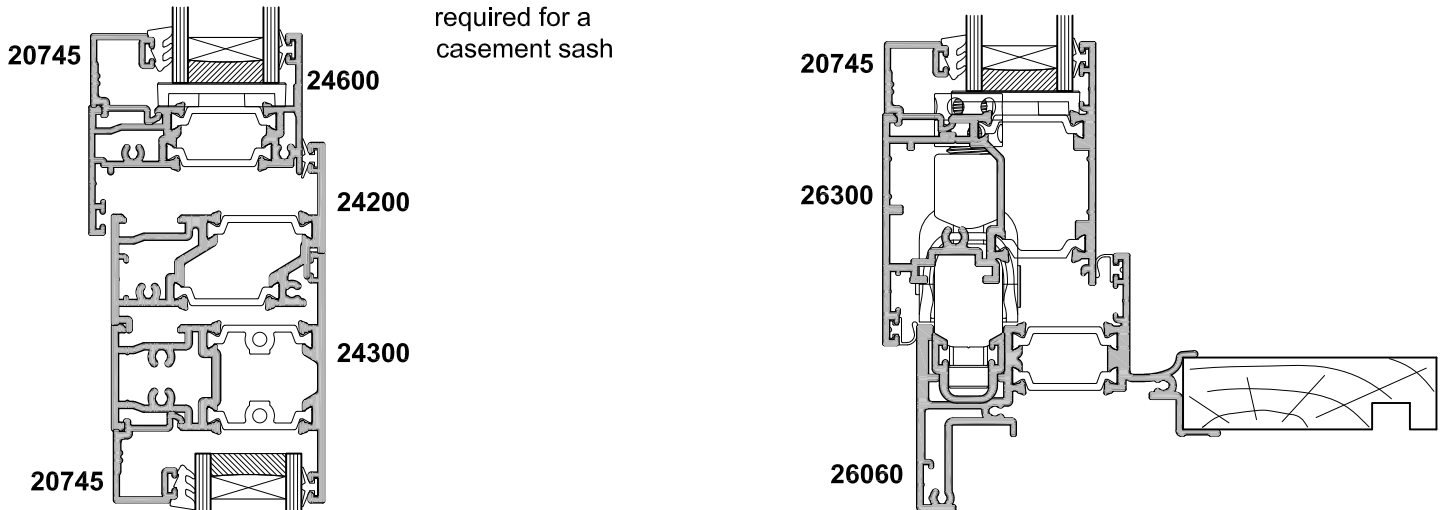
**SECTION A-A**

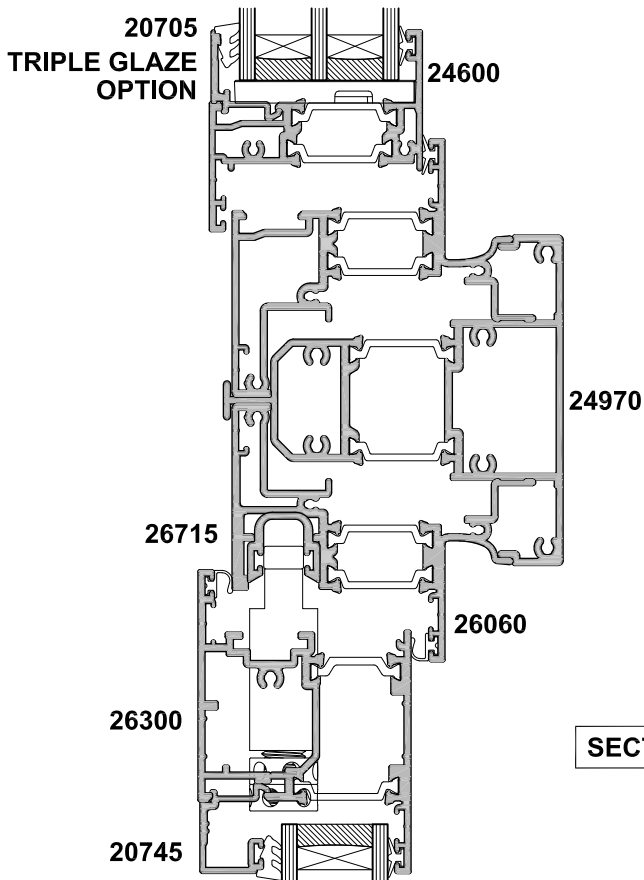
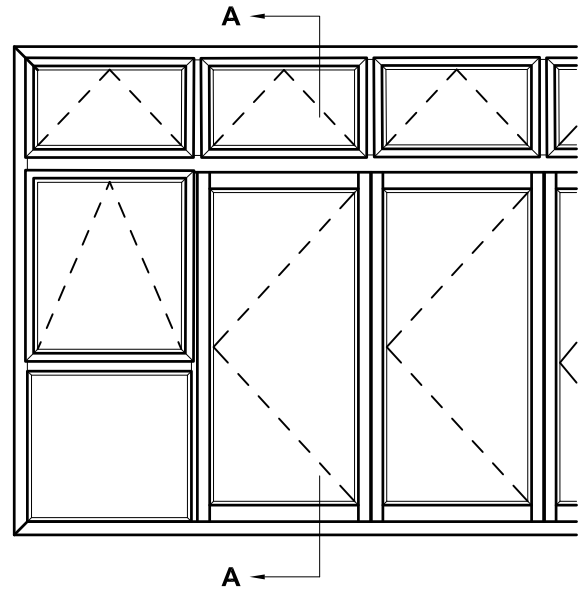
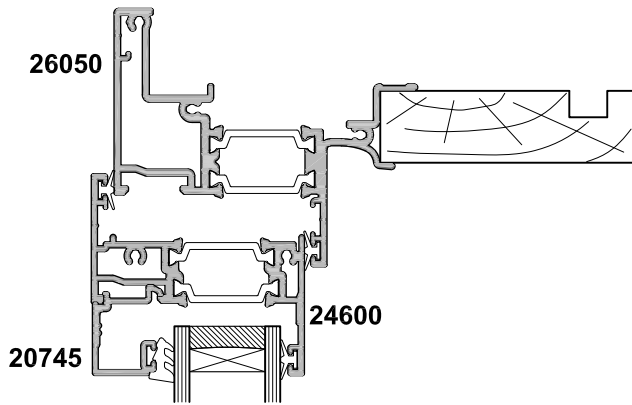


NOTE: 24200  
Adaptor will be  
required for a  
casement sash

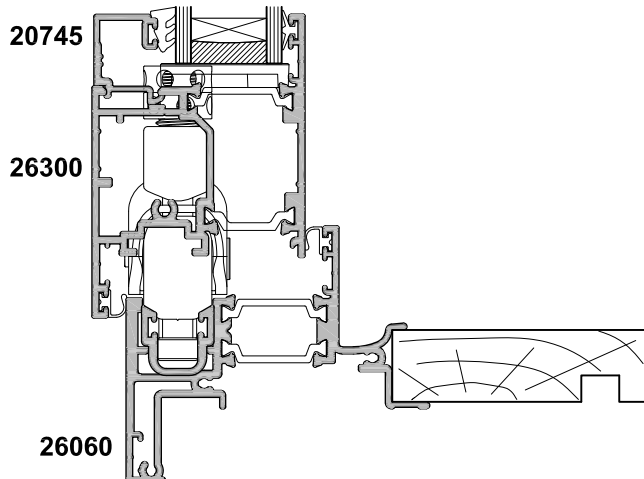


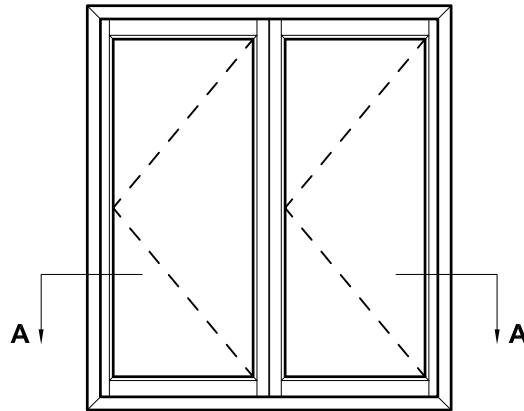
**SECTION B-B**



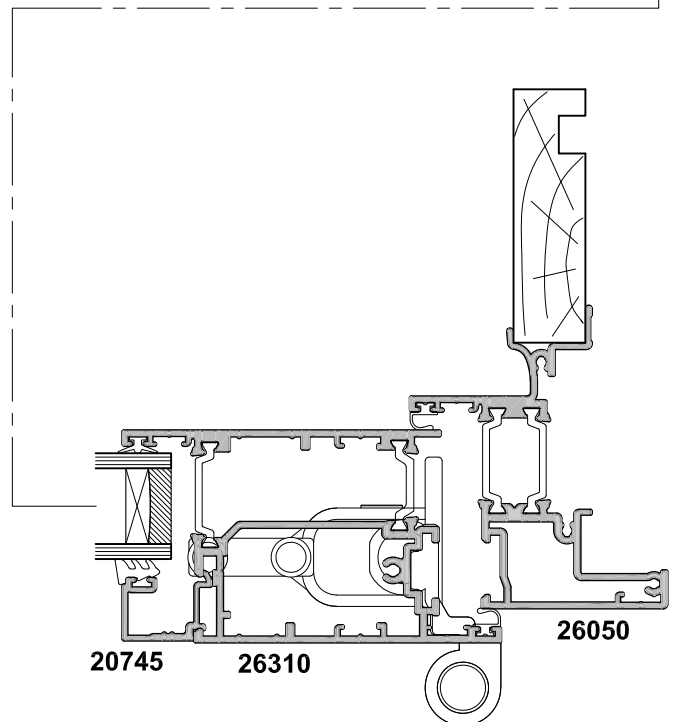
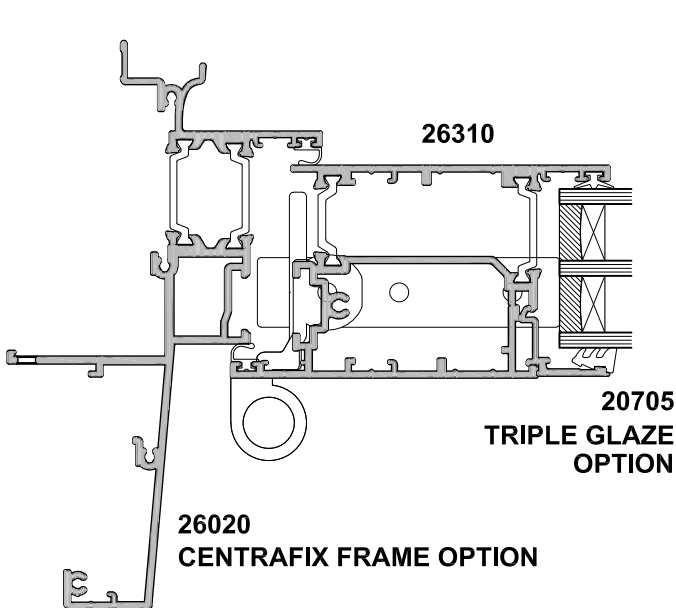
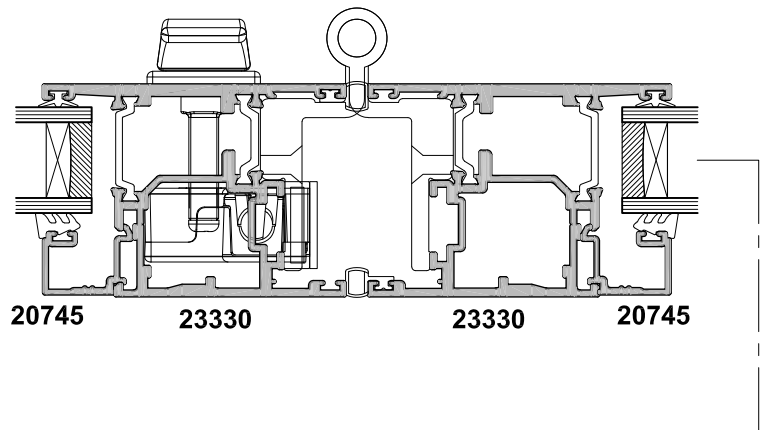
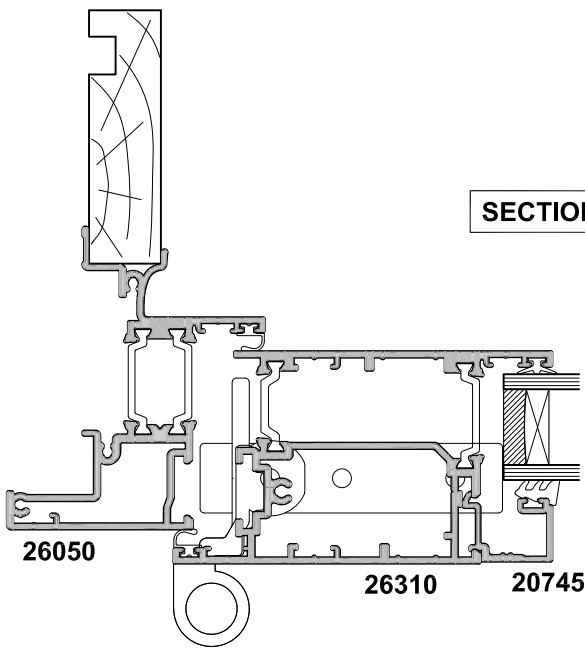


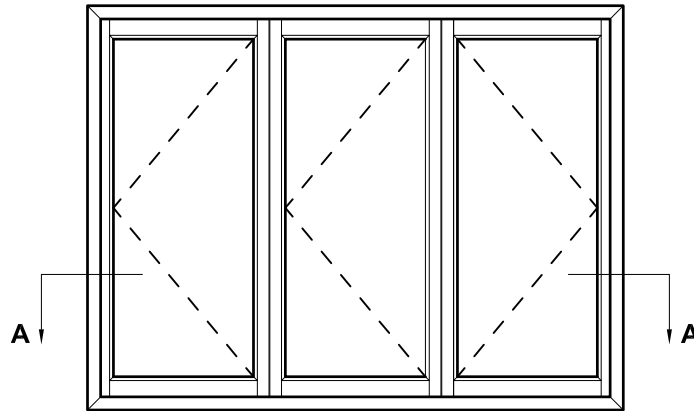
SECTION A-A



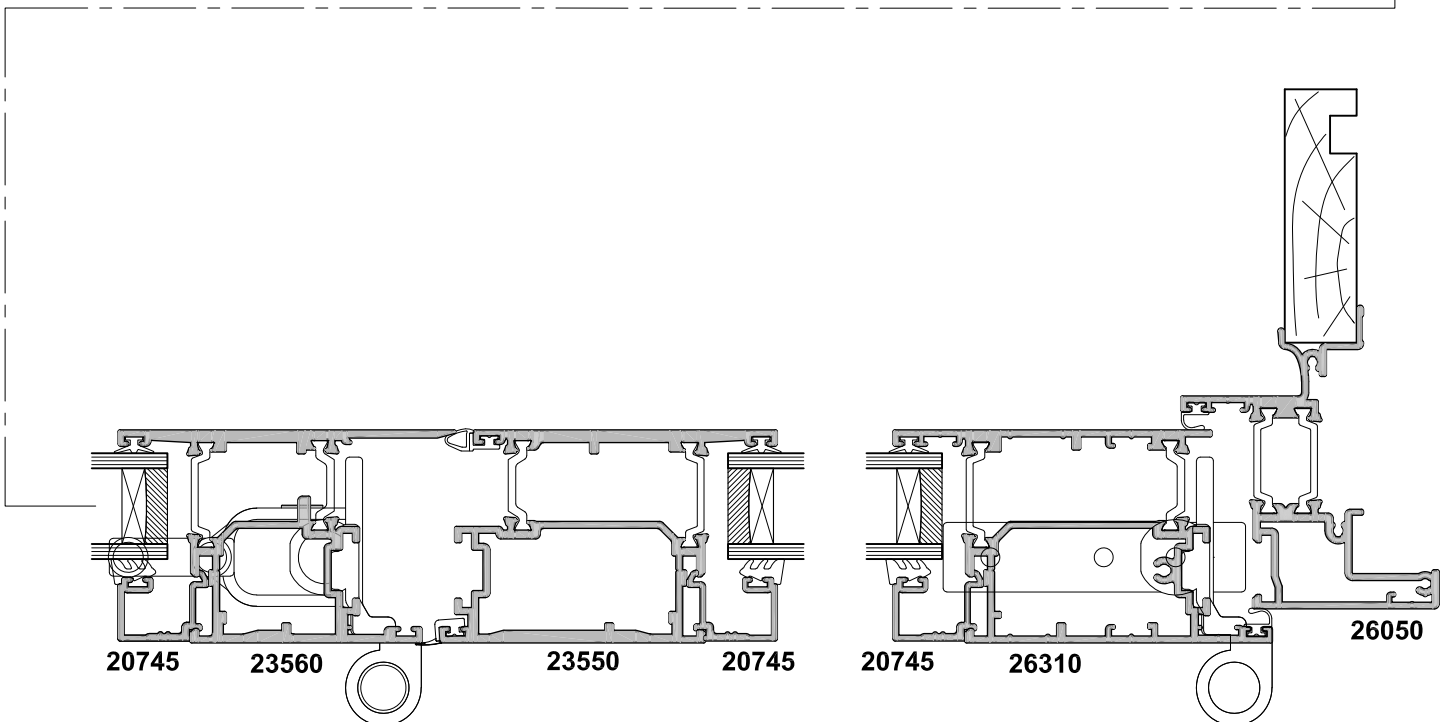
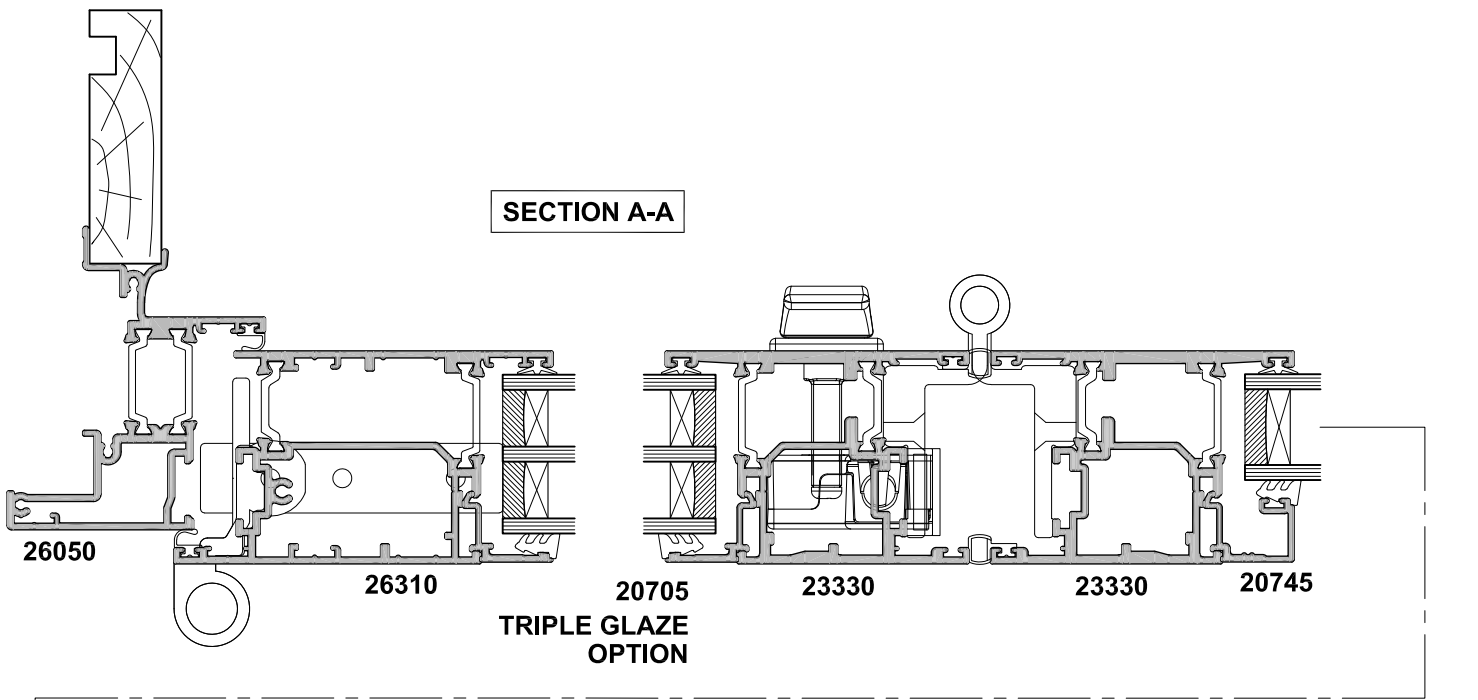


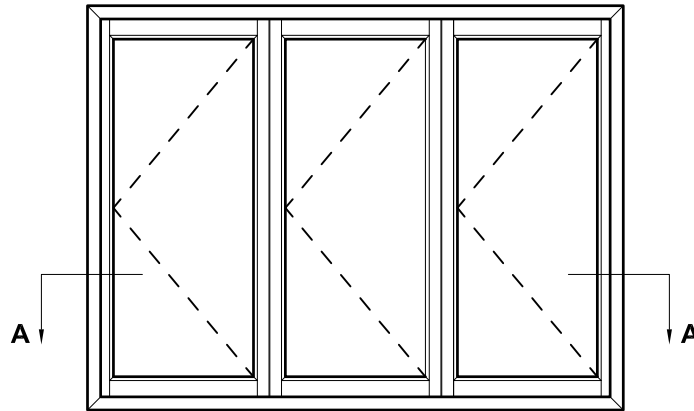
**SECTION A-A**



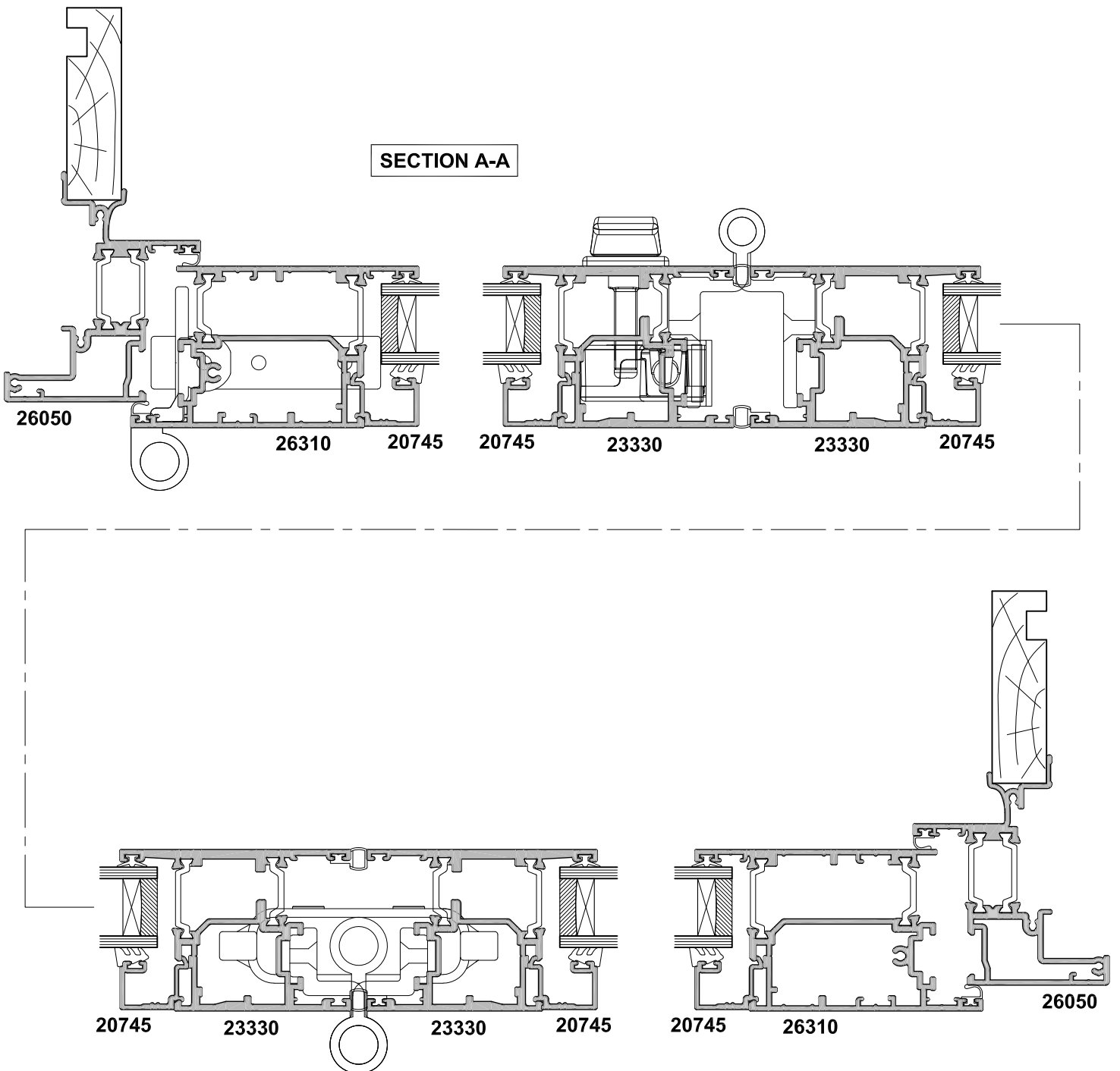


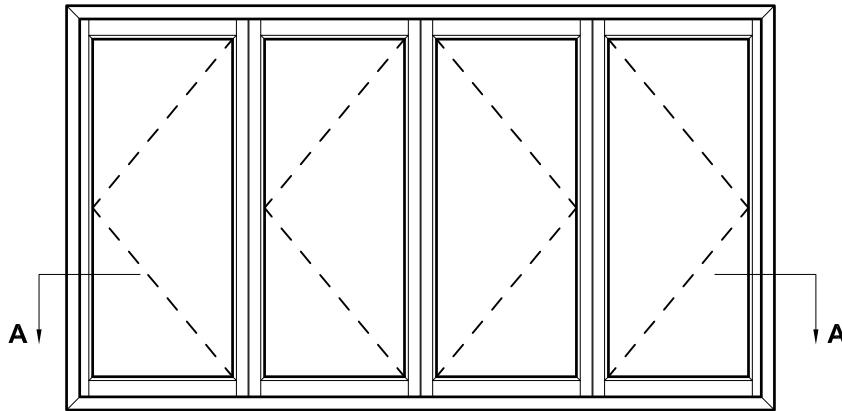
SECTION A-A



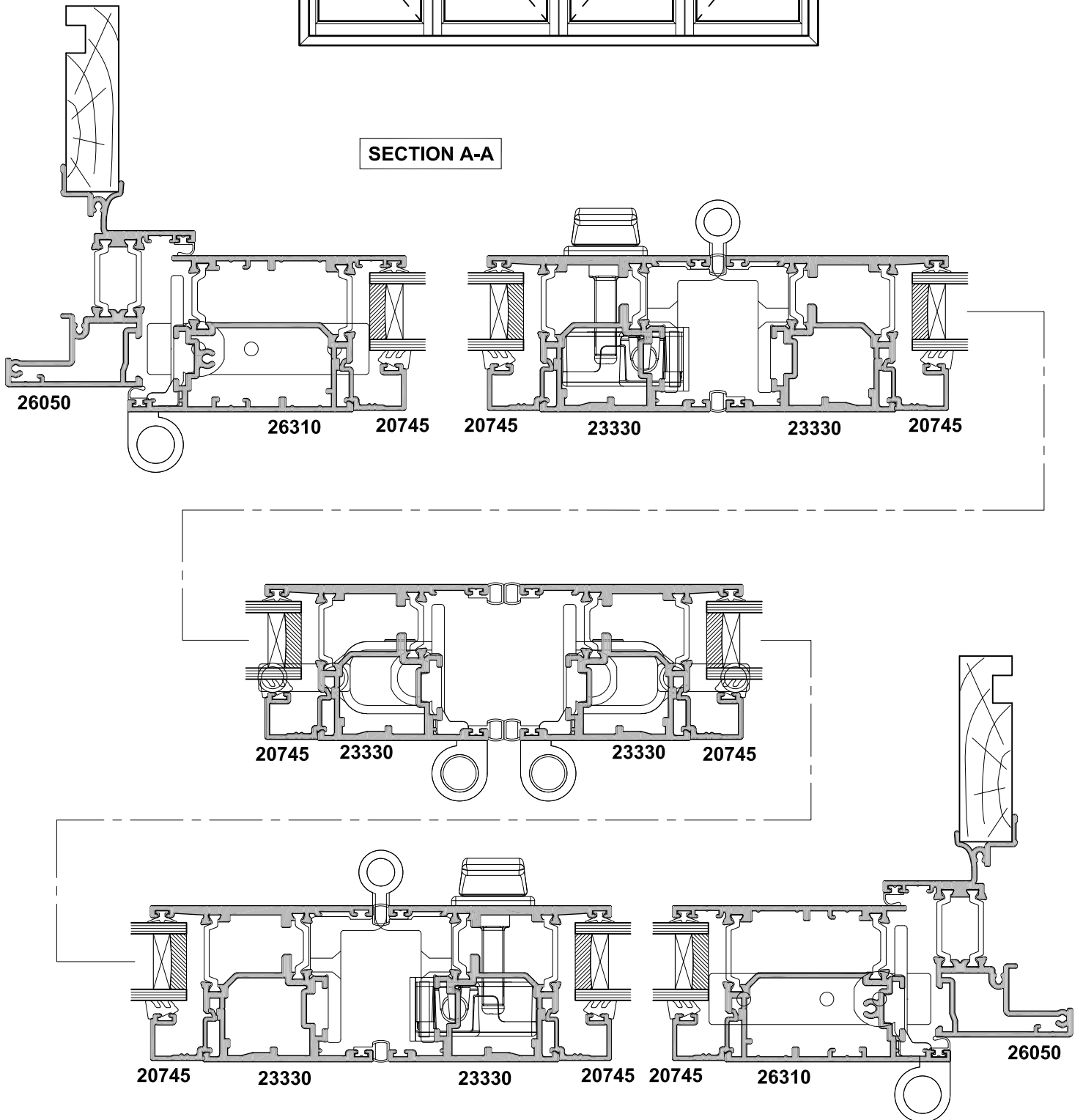


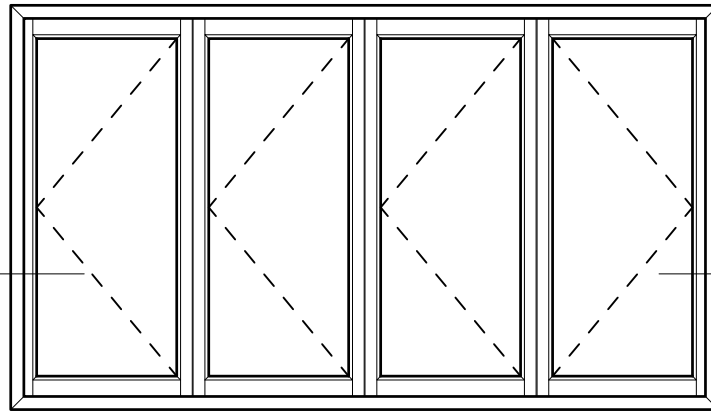
SECTION A-A



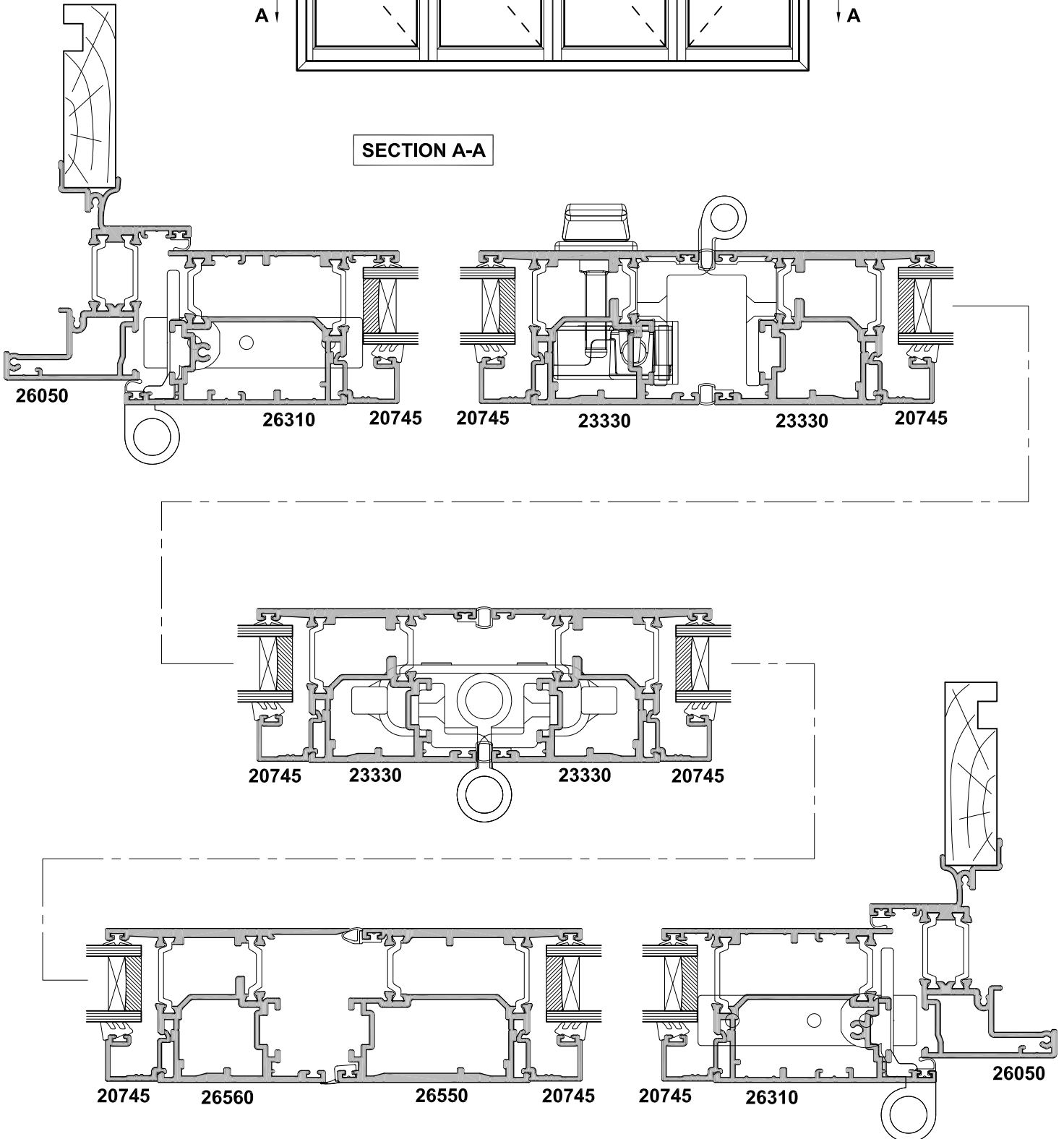


**SECTION A-A**

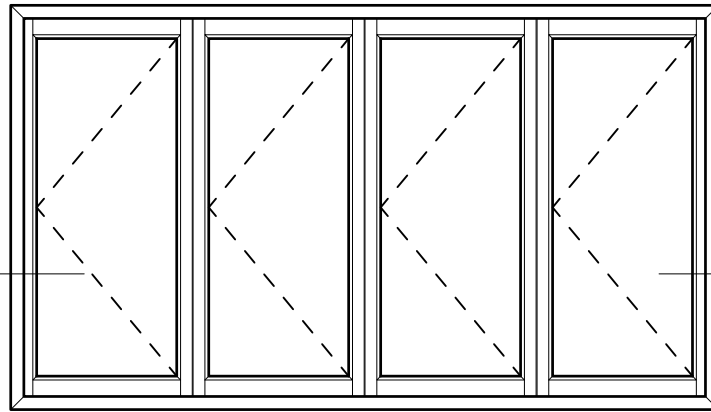




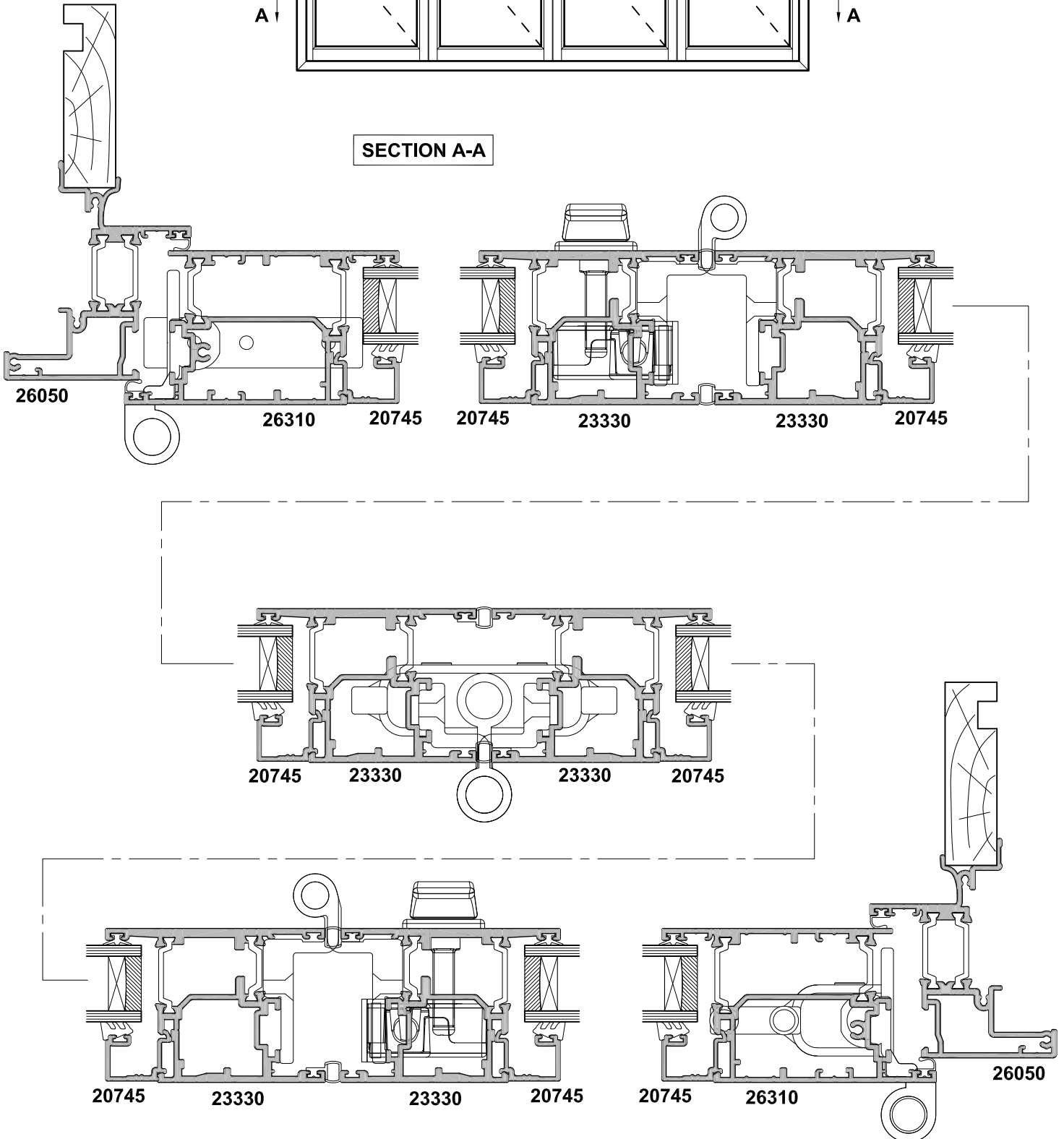
**SECTION A-A**

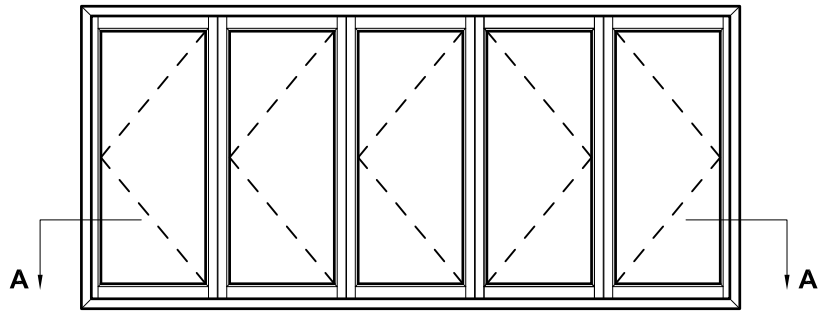




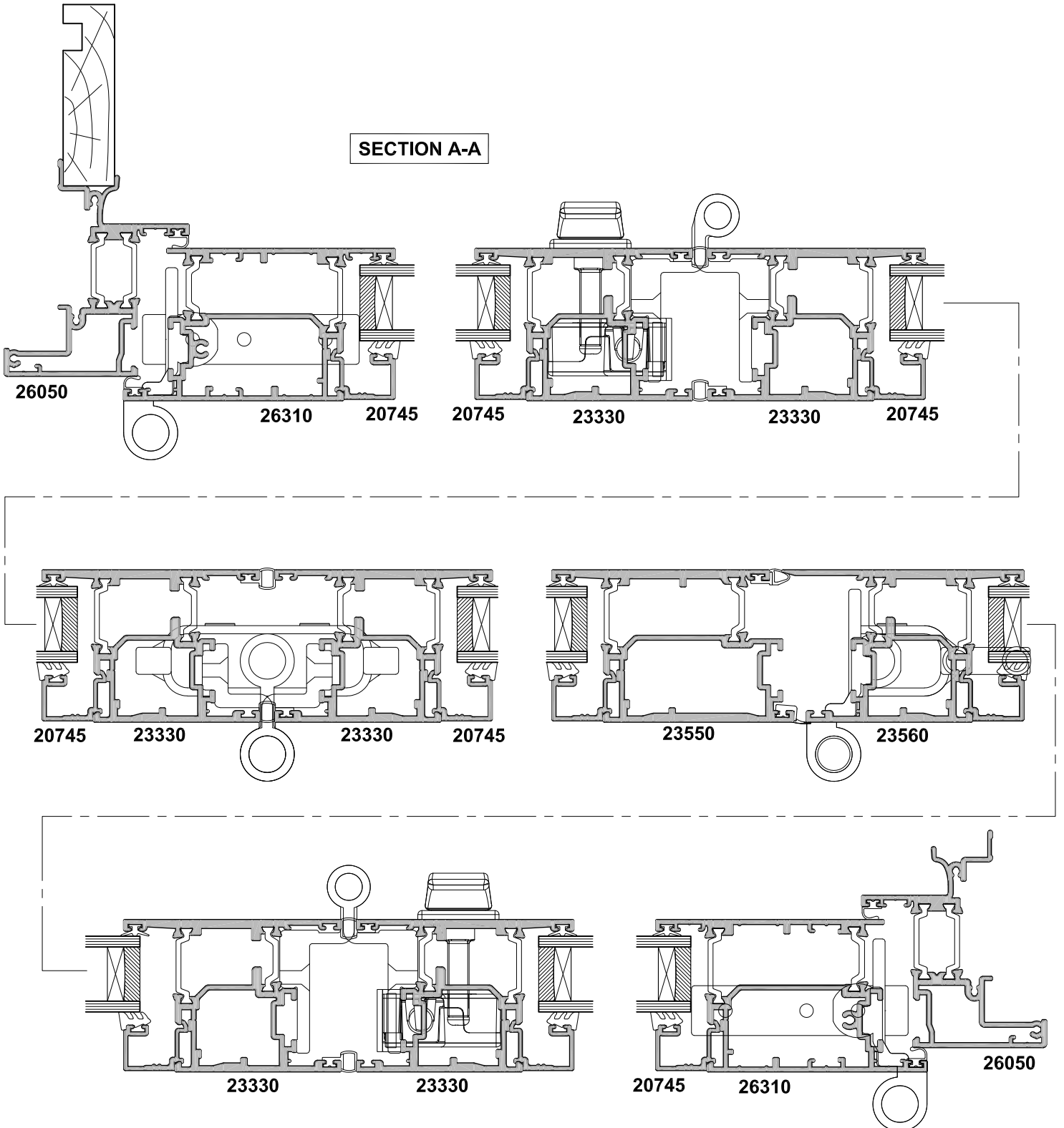


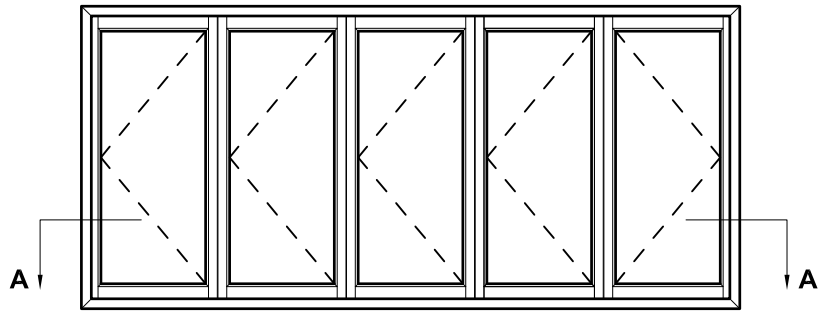
**SECTION A-A**



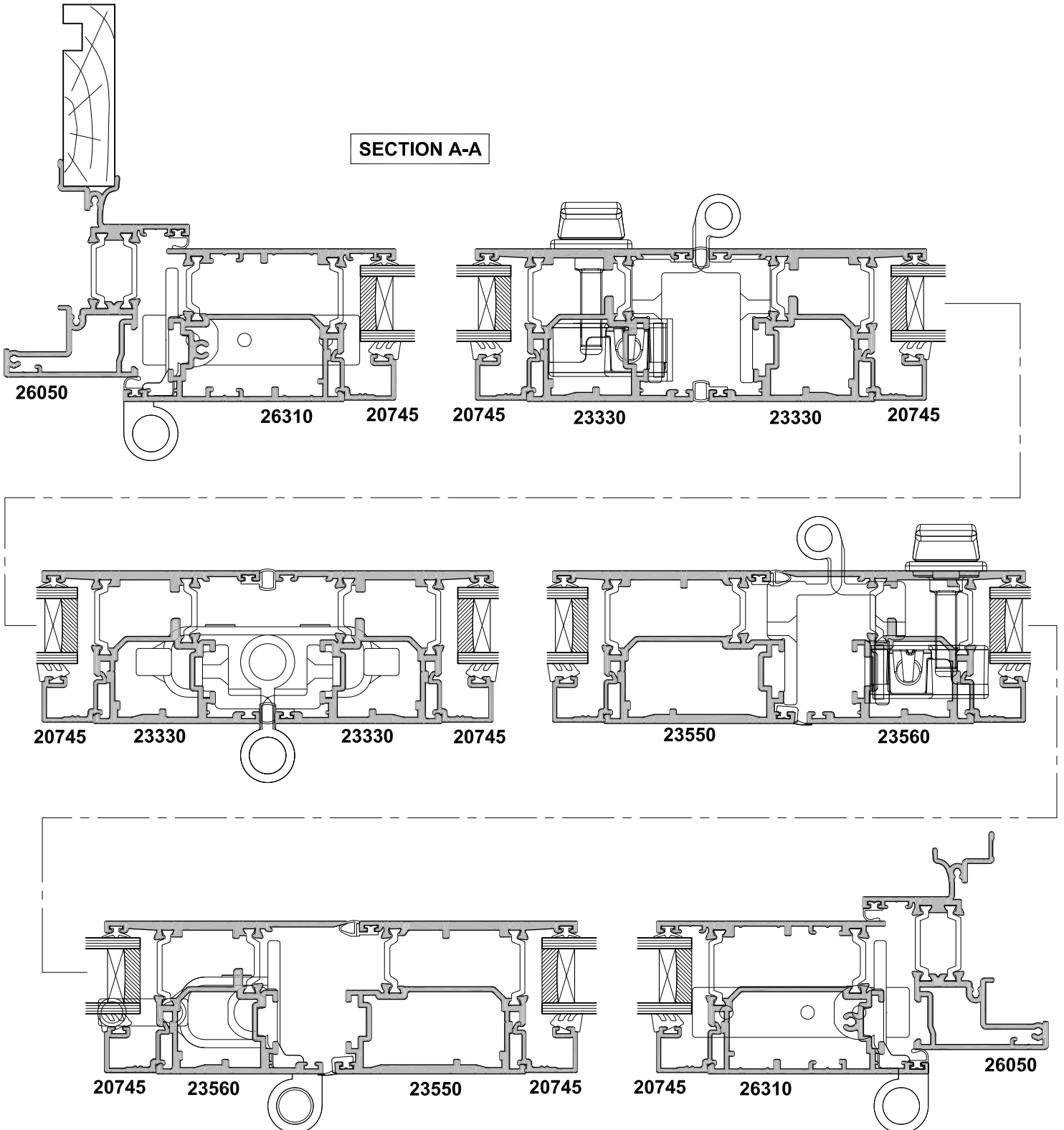


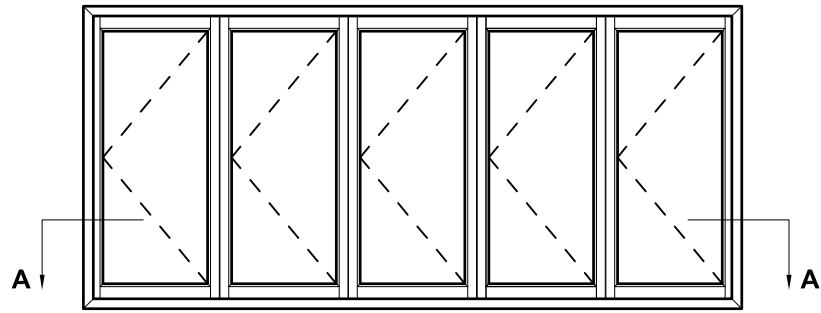
**SECTION A-A**



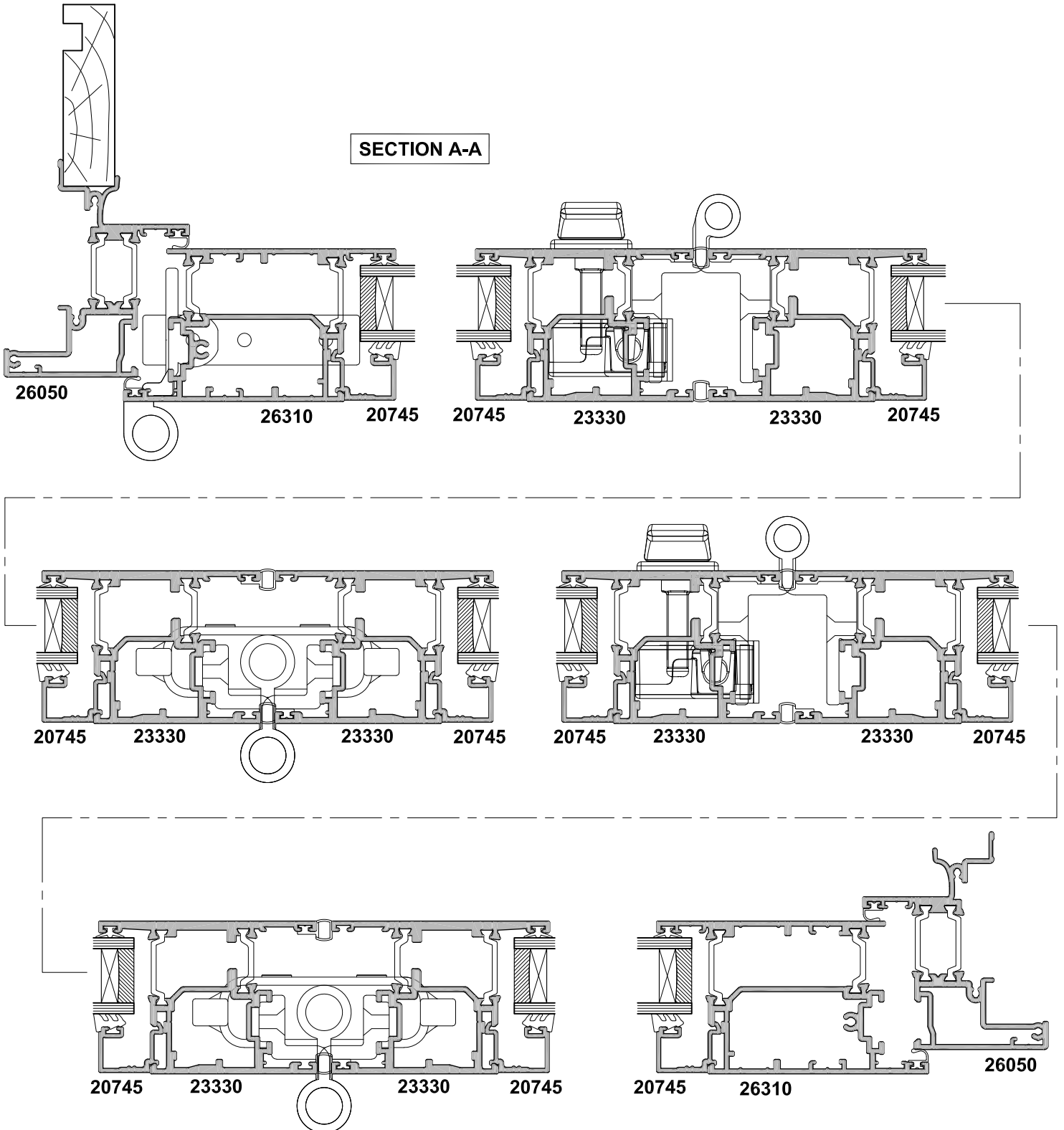


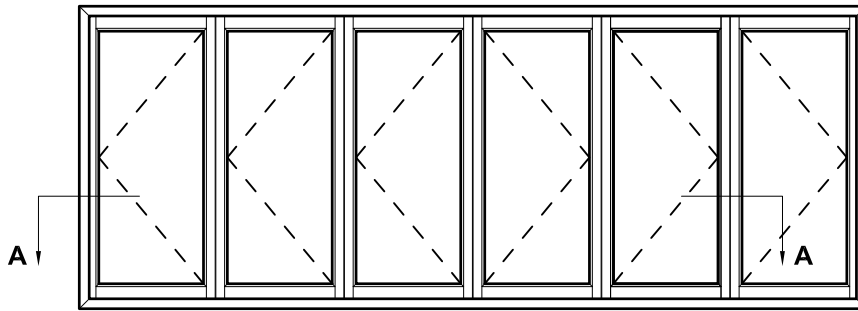
**SECTION A-A**



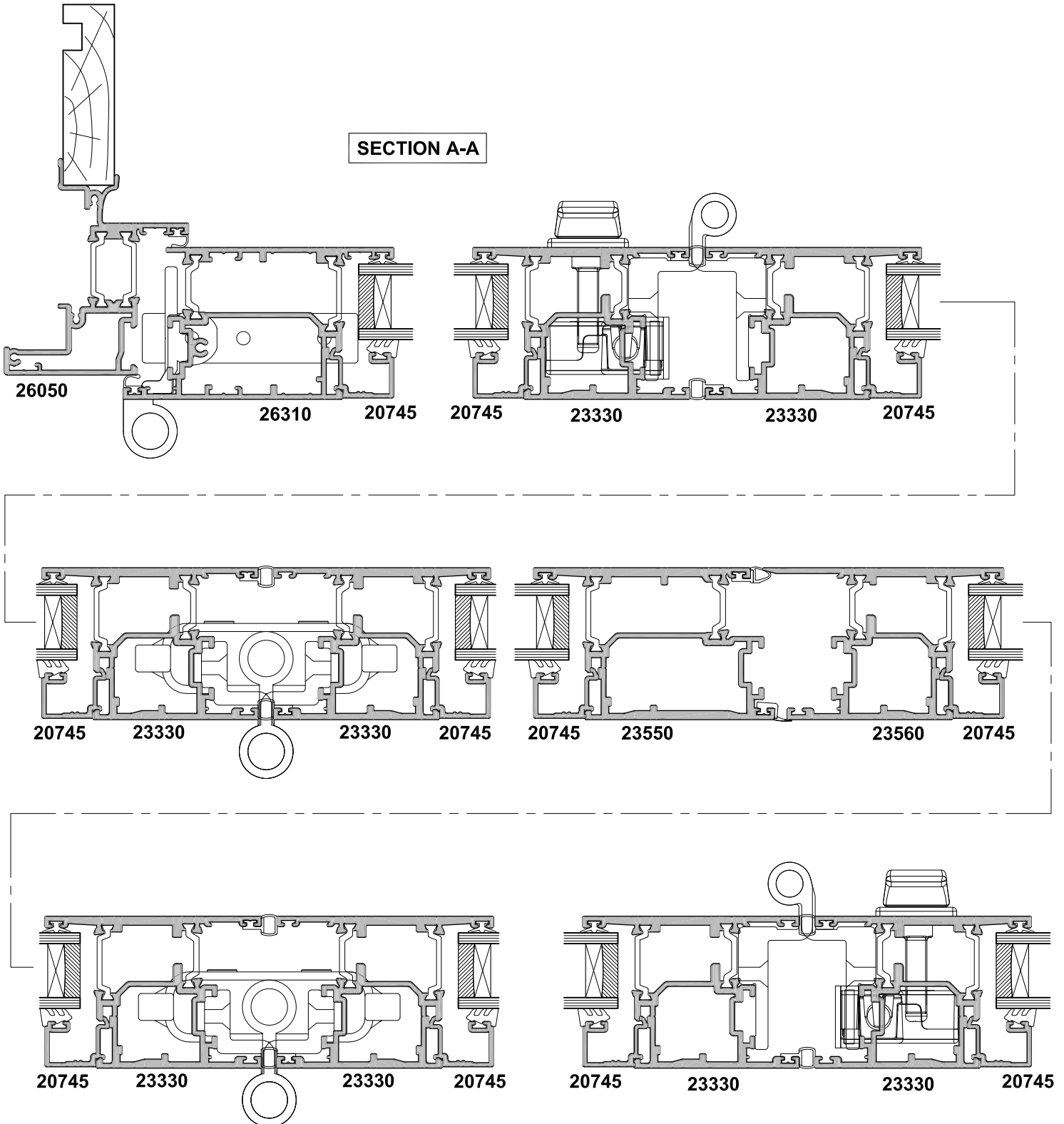


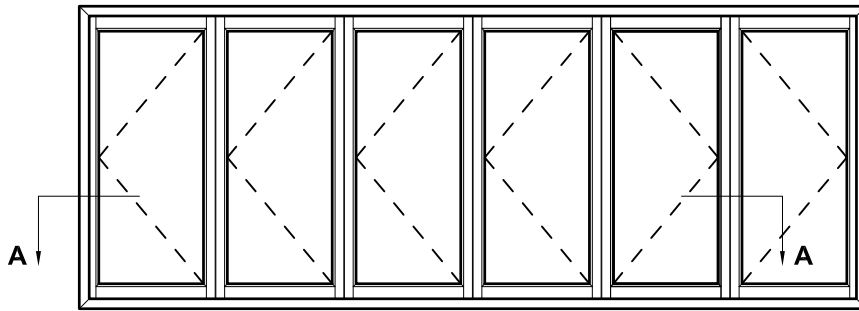
**SECTION A-A**



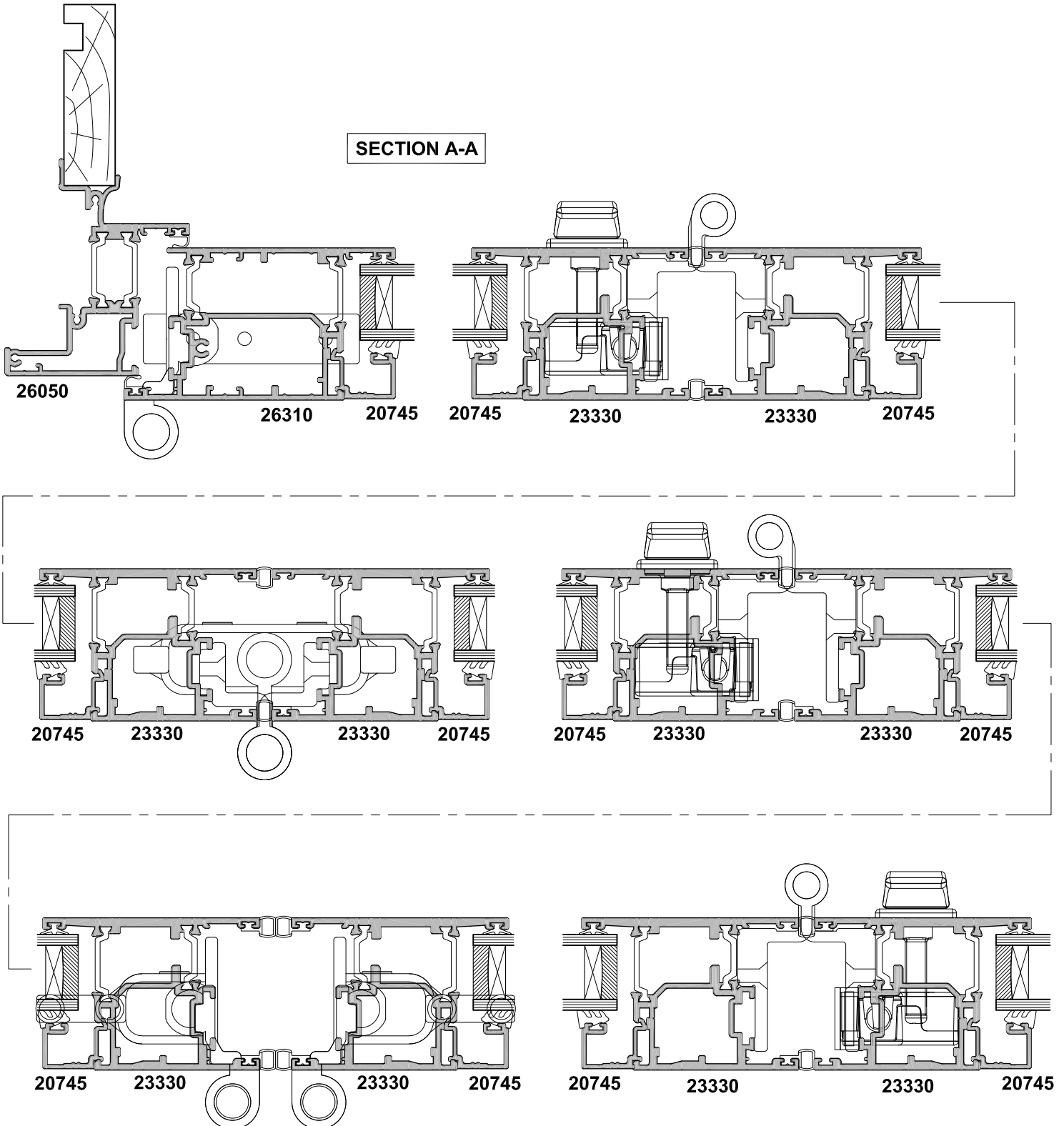


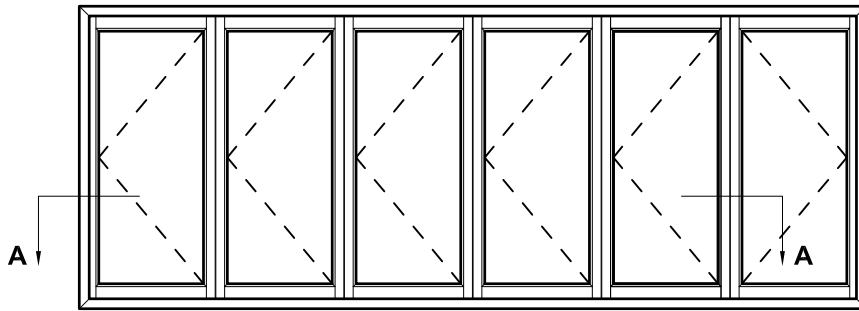
**SECTION A-A**



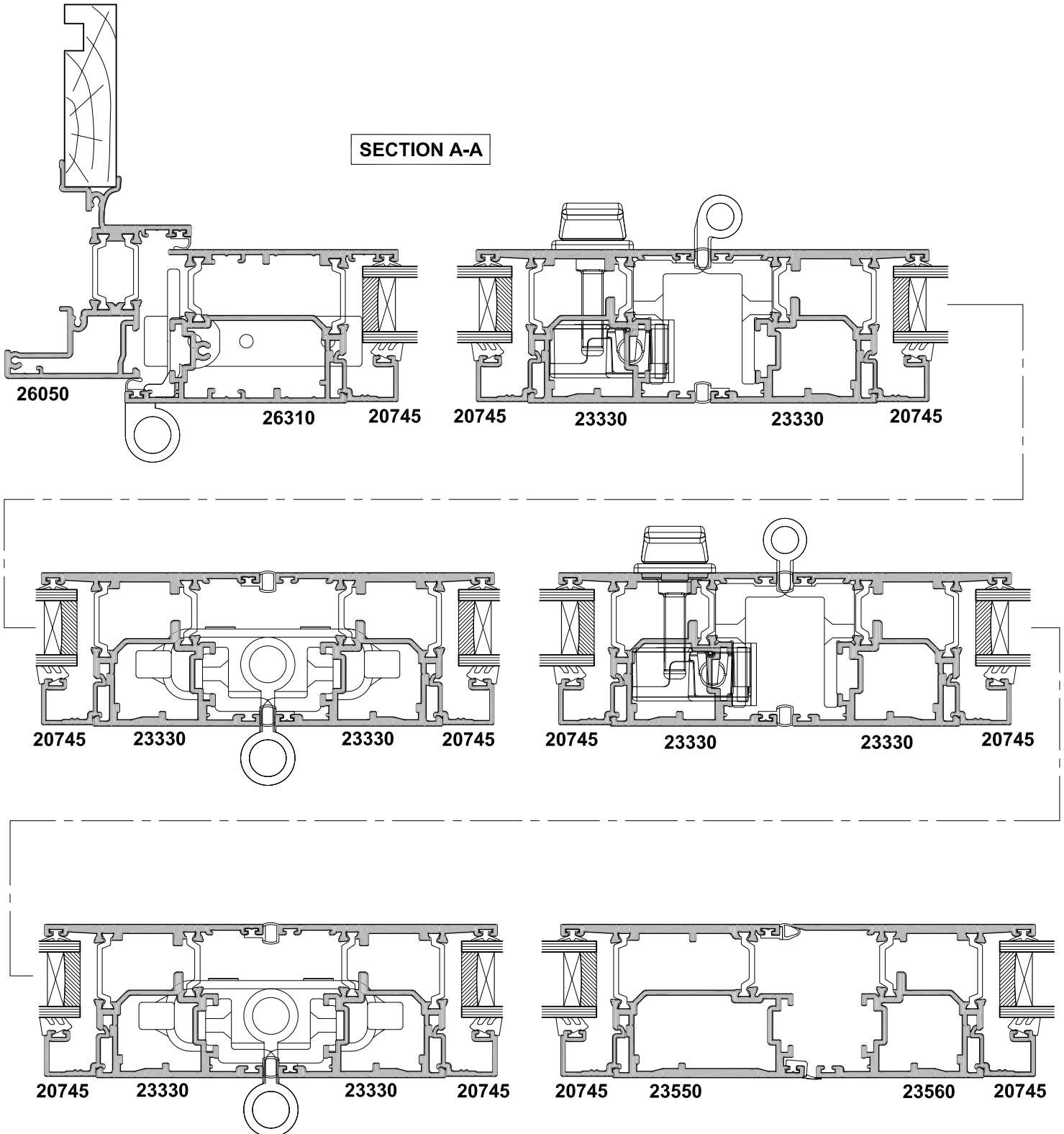


**SECTION A-A**

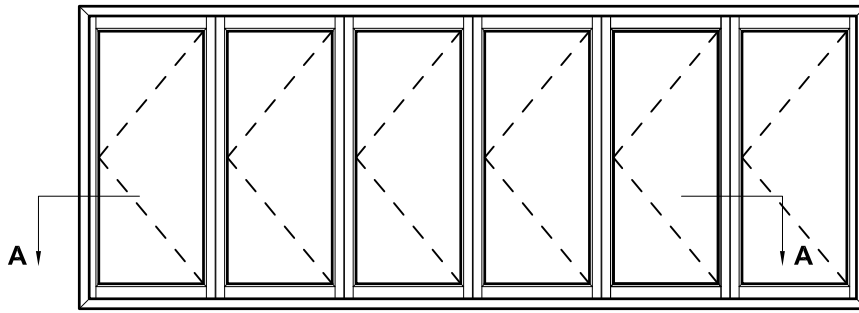




**SECTION A-A**







**SECTION A-A**

