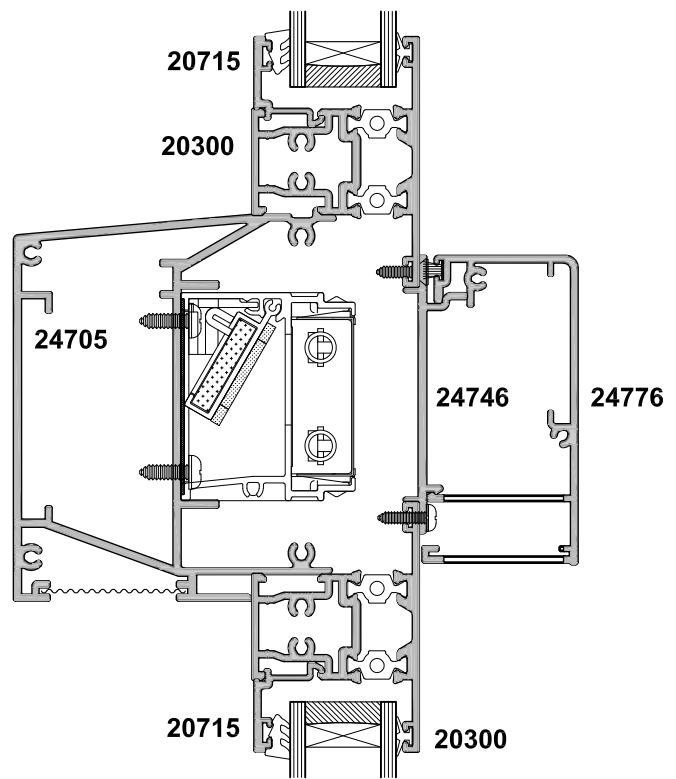


**SASH UNDER VENTIENT**



**VENTIENT UNDER TRANSOM**