

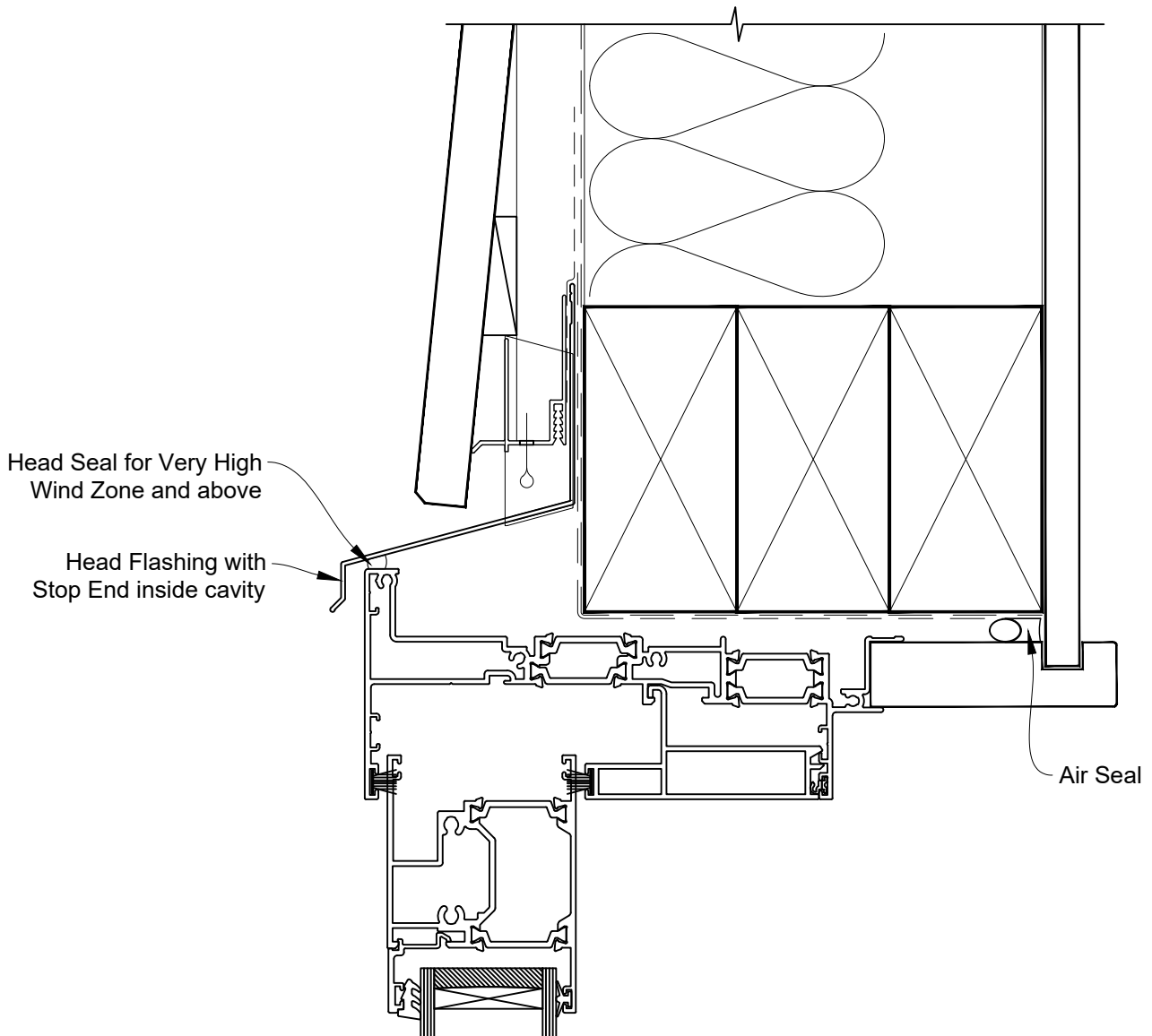


# INSTALLATION DETAIL - 56mm METRO THERMAL HEART SLIDING WINDOW ON BEVEL BACK WEATHERBOARD CAVITY CONSTRUCTION

Date: 01.03.23

Scale: 1:2

CAD Ref.: TM56SWBW-CH



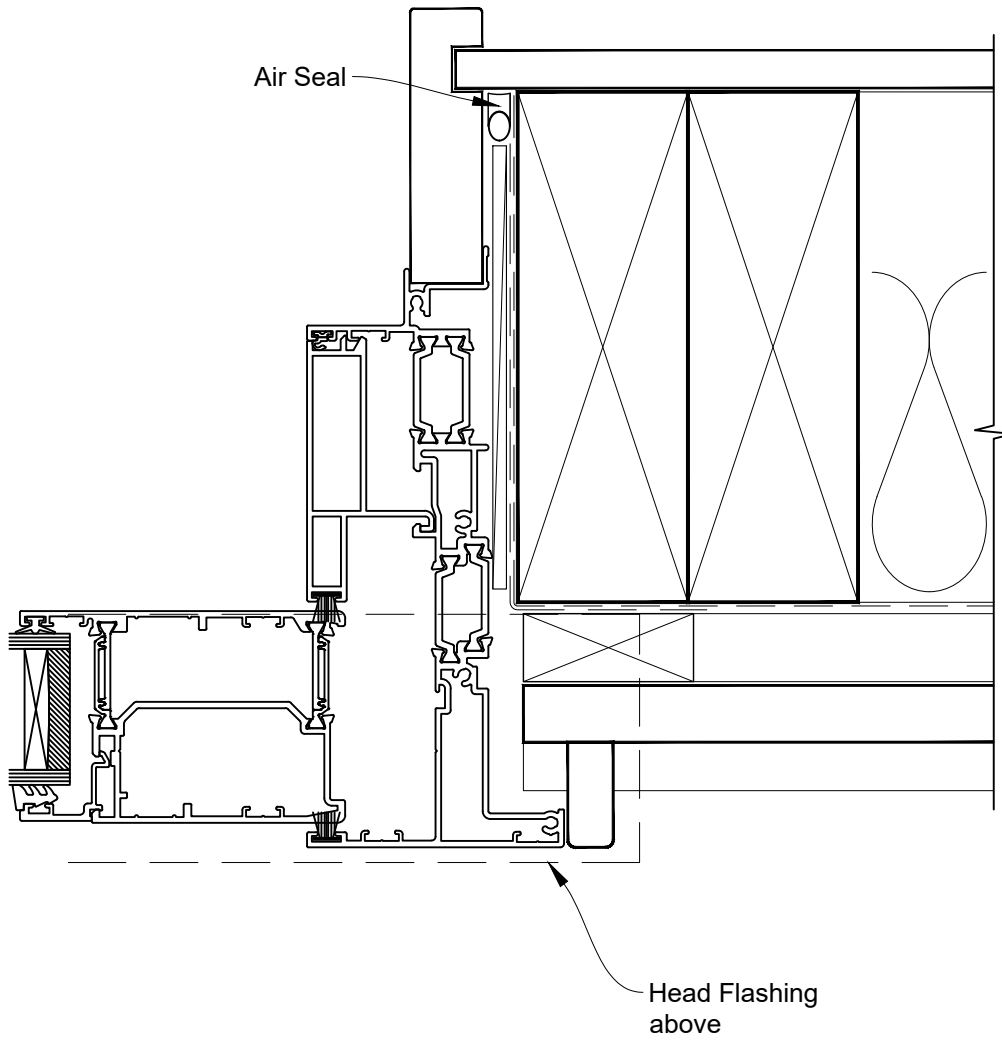


# INSTALLATION DETAIL - 56mm METRO THERMAL HEART SLIDING WINDOW ON BEVEL BACK WEATHERBOARD CAVITY CONSTRUCTION

Date: 01.03.23

Scale: 1:2

CAD Ref.: TM56SWBW-CJ



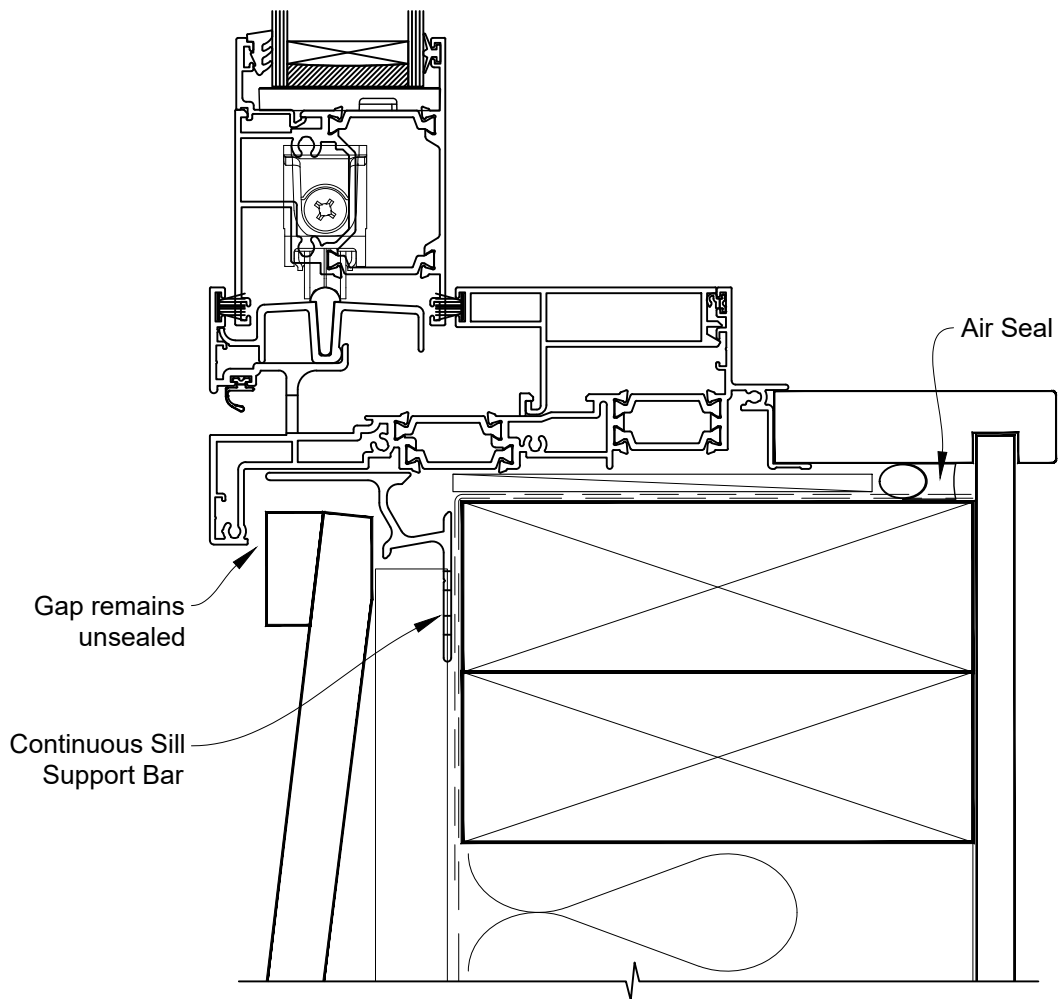


# INSTALLATION DETAIL - 56mm METRO THERMAL HEART SLIDING WINDOW ON BEVEL BACK WEATHERBOARD CAVITY CONSTRUCTION

Date: 01.03.23

Scale: 1:2

CAD Ref.: TM56SWBW-CS



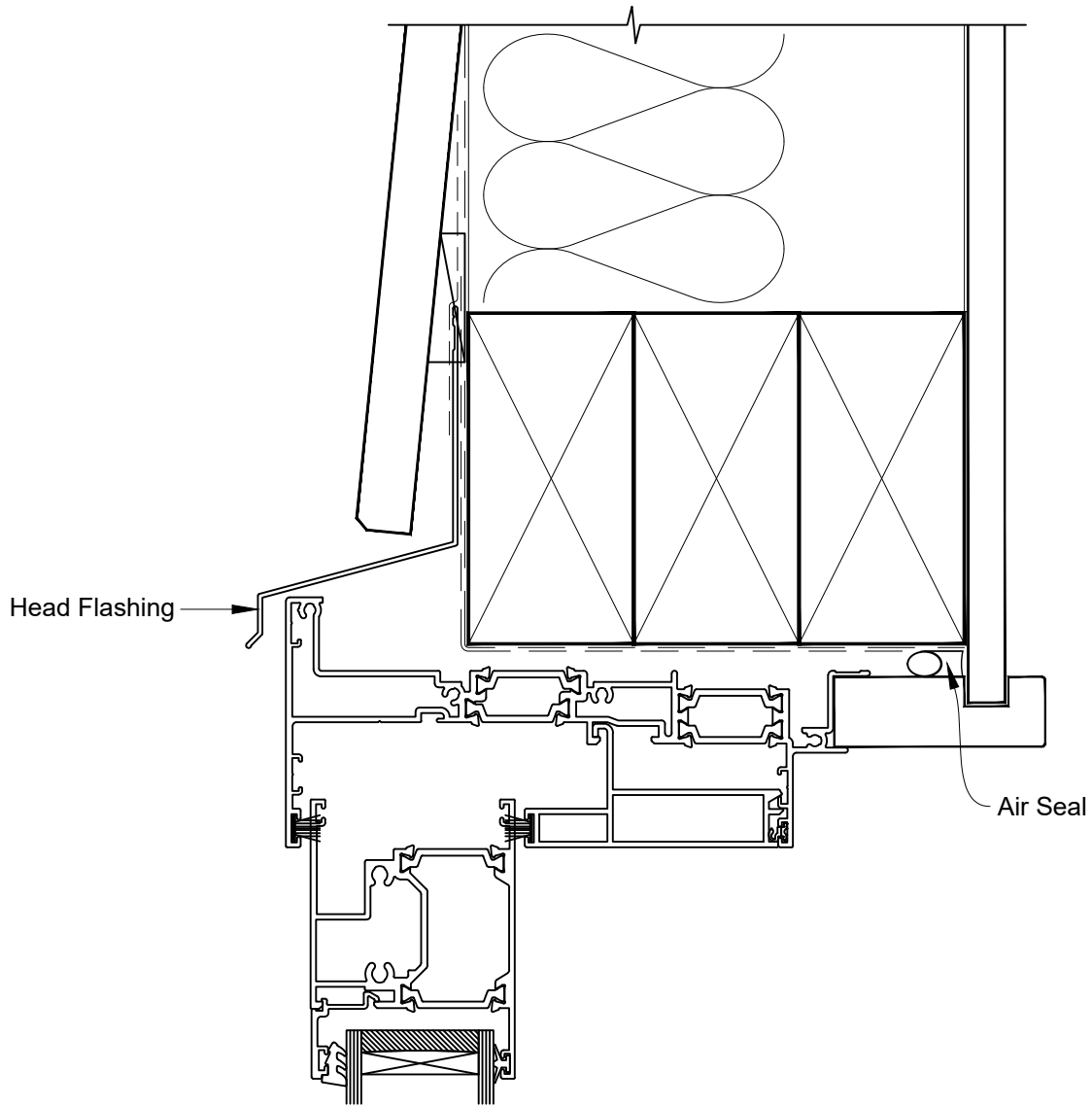


# INSTALLATION DETAIL - 56mm METRO THERMAL HEART SLIDING WINDOW ON BEVEL BACK WEATHERBOARD DIRECT FIXED CLADDING

Date: 01.03.23

Scale: 1:2

CAD Ref.: TM56SWBW-DH



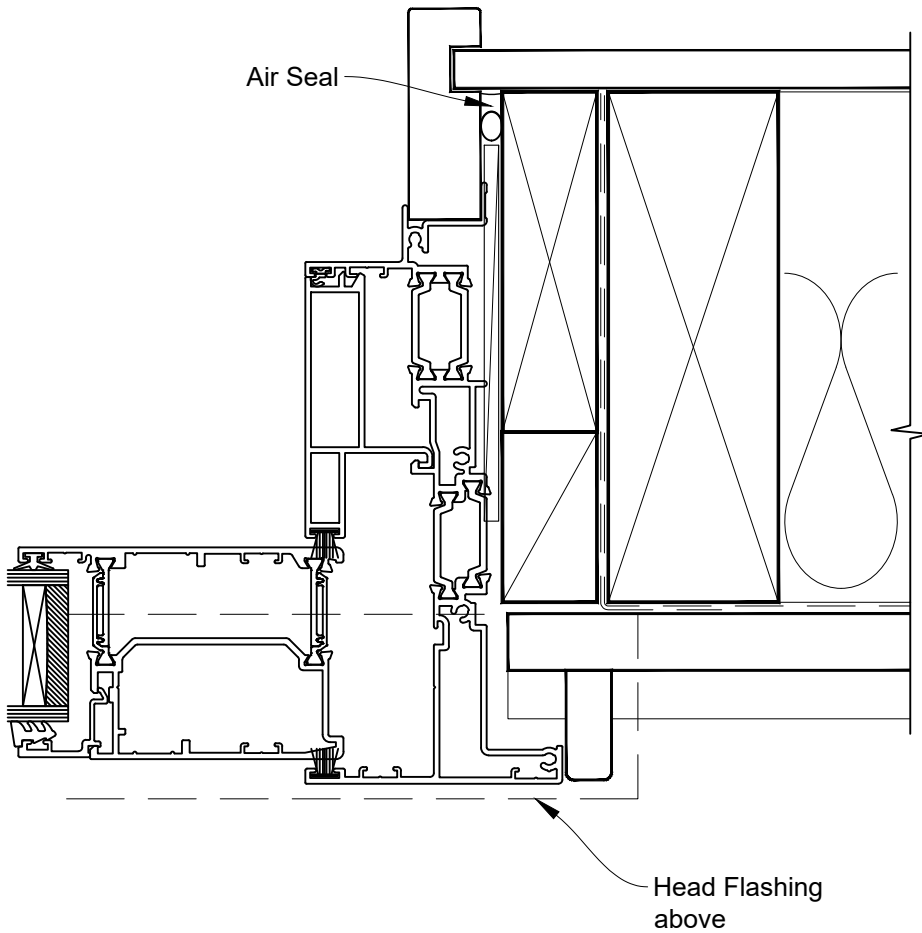


# INSTALLATION DETAIL - 56mm METRO THERMAL HEART SLIDING WINDOW ON BEVEL BACK WEATHERBOARD DIRECT FIXED CLADDING

Date: 01.03.23

Scale: 1:2

CAD Ref.: TM56SWBW-DJ





# INSTALLATION DETAIL - 56mm METRO THERMAL HEART SLIDING WINDOW ON BEVEL BACK WEATHERBOARD DIRECT FIXED CLADDING

Date: 01.03.23

Scale: 1:2

CAD Ref.: TM56SWBW-DS

