

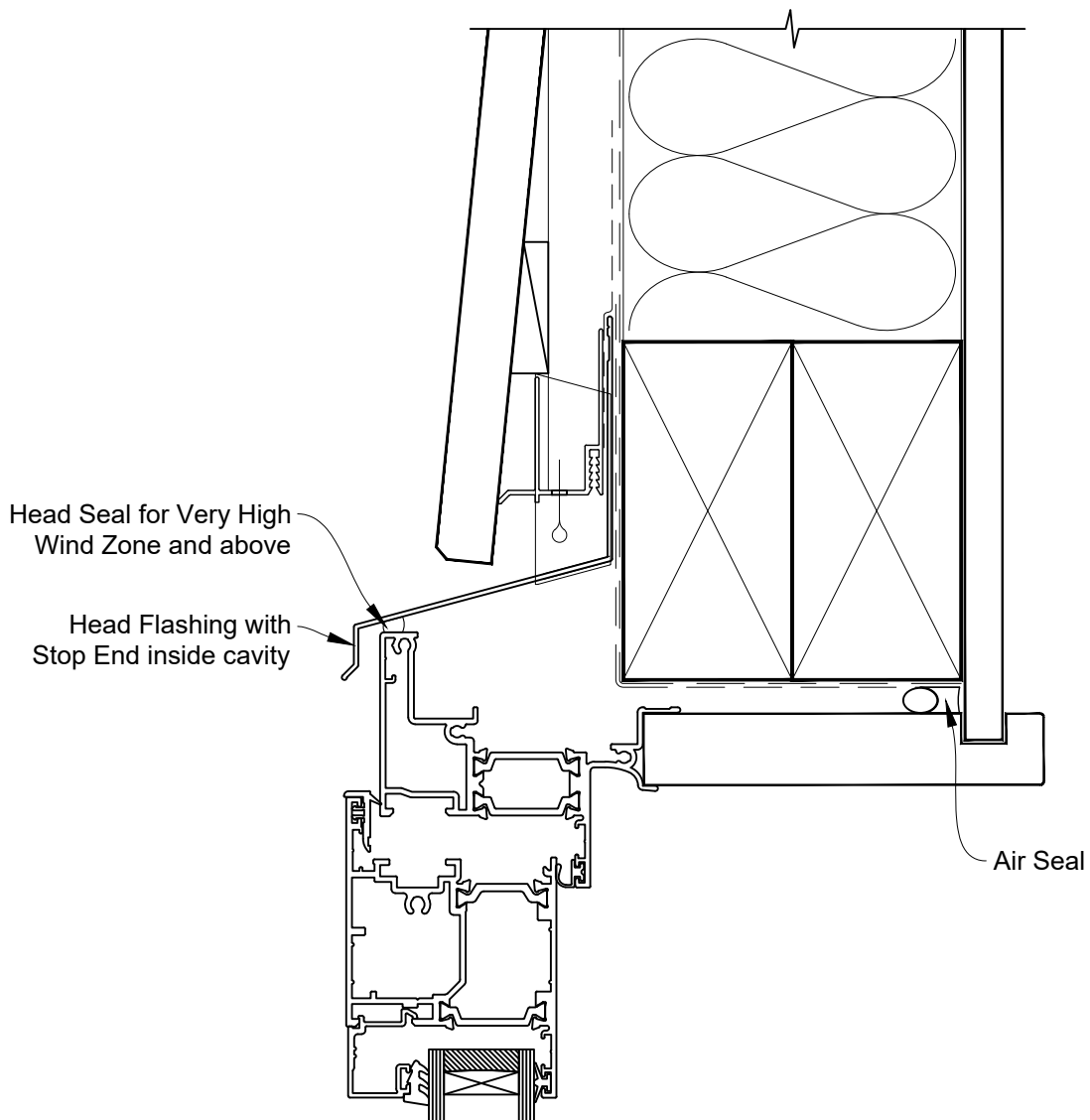


INSTALLATION DETAIL - METRO THERMAL HEART HINGE DOOR OPEN OUT ON BEVELBACK WEATHERBOARD CAVITY CONSTRUCTION

Date: 01.03.23

Scale: 1:2

CAD Ref.: TMHOBW-CH



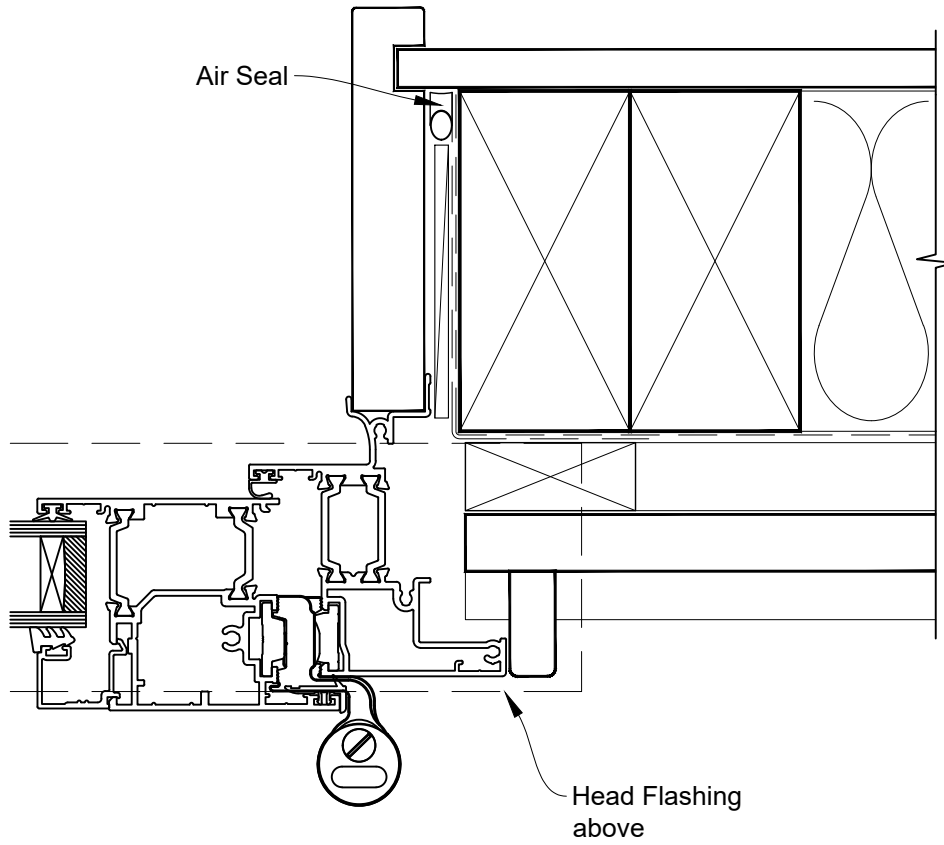


INSTALLATION DETAIL - METRO THERMAL HEART HINGE DOOR OPEN OUT ON BEVELBACK WEATHERBOARD CAVITY CONSTRUCTION

Date: 01.03.23

Scale: 1:2

CAD Ref.: TMHOBW-CJ



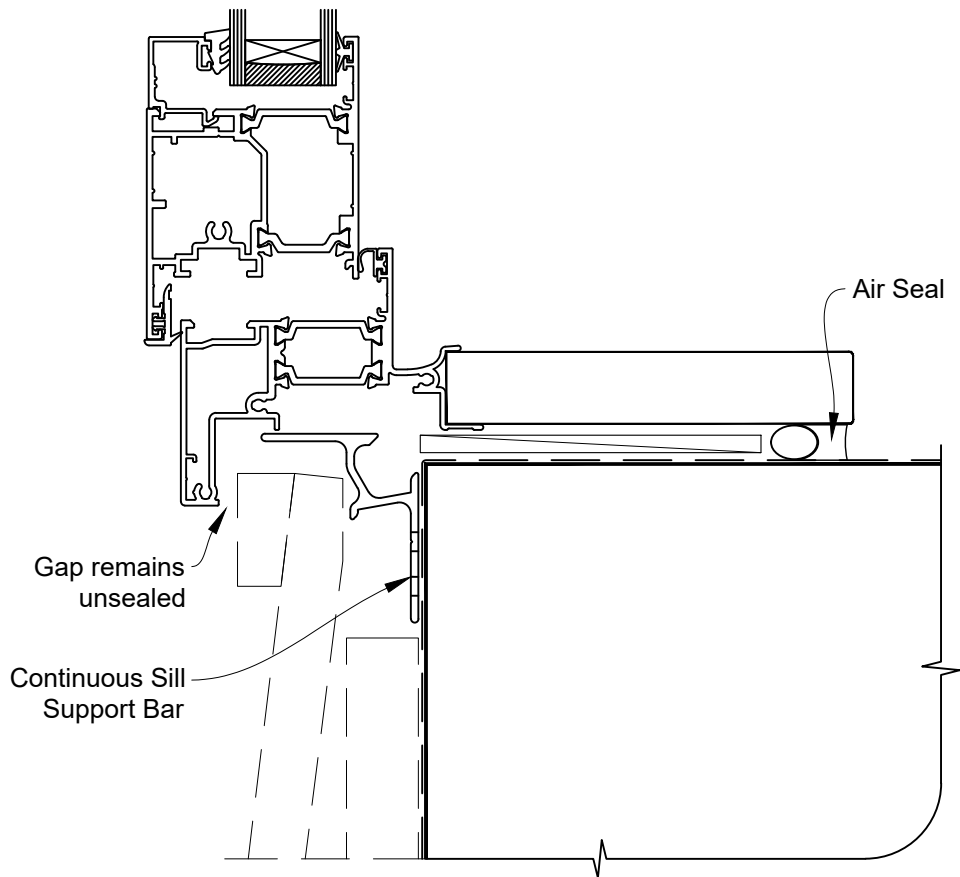


INSTALLATION DETAIL - METRO THERMAL HEART HINGE DOOR OPEN OUT ON BEVELBACK WEATHERBOARD CAVITY CONSTRUCTION

Date: 01.03.23

Scale: 1:2

CAD Ref.: TMHOBW-CS



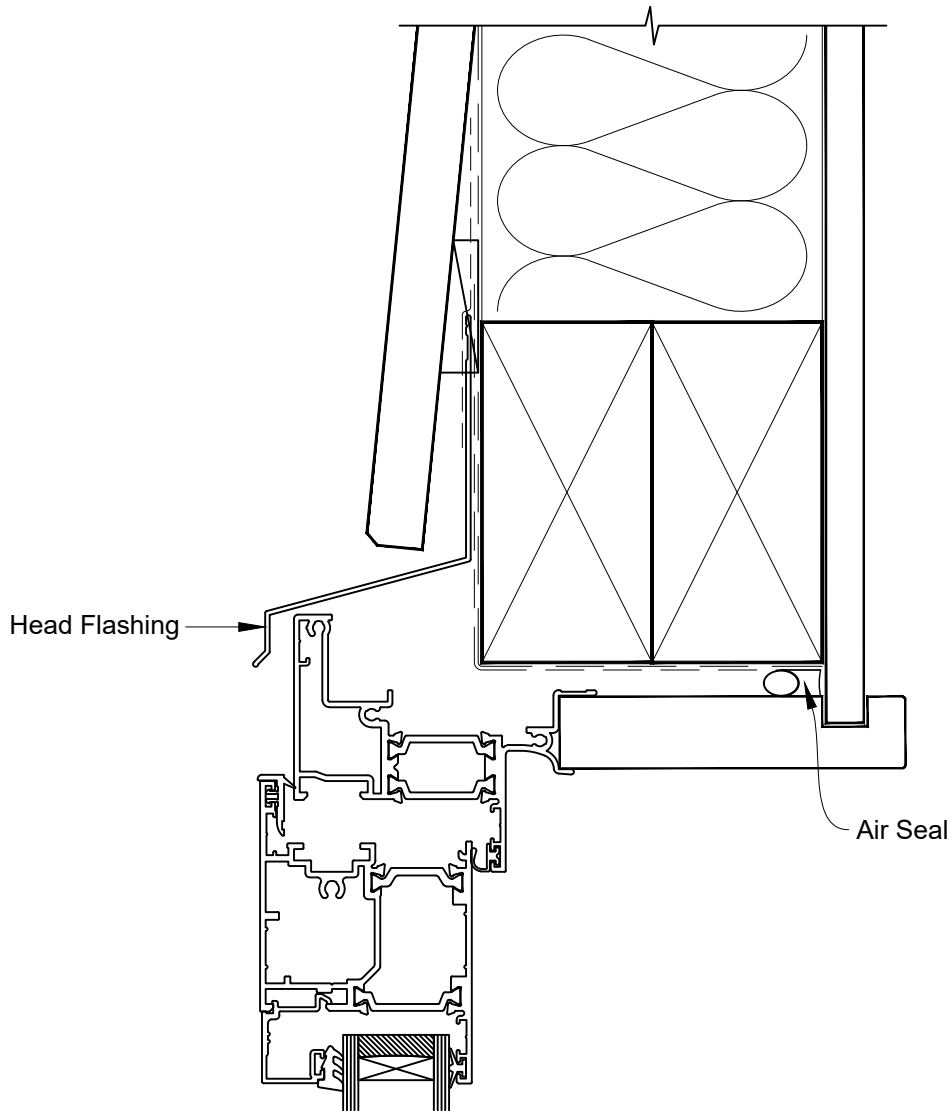


INSTALLATION DETAIL - METRO THERMAL HEART HINGE DOOR OPEN OUT ON BEVELBACK WEATHERBOARD DIRECT FIXED CLADDING

Date: 01.03.23

Scale: 1:2

CAD Ref.: TMHOBW-DH



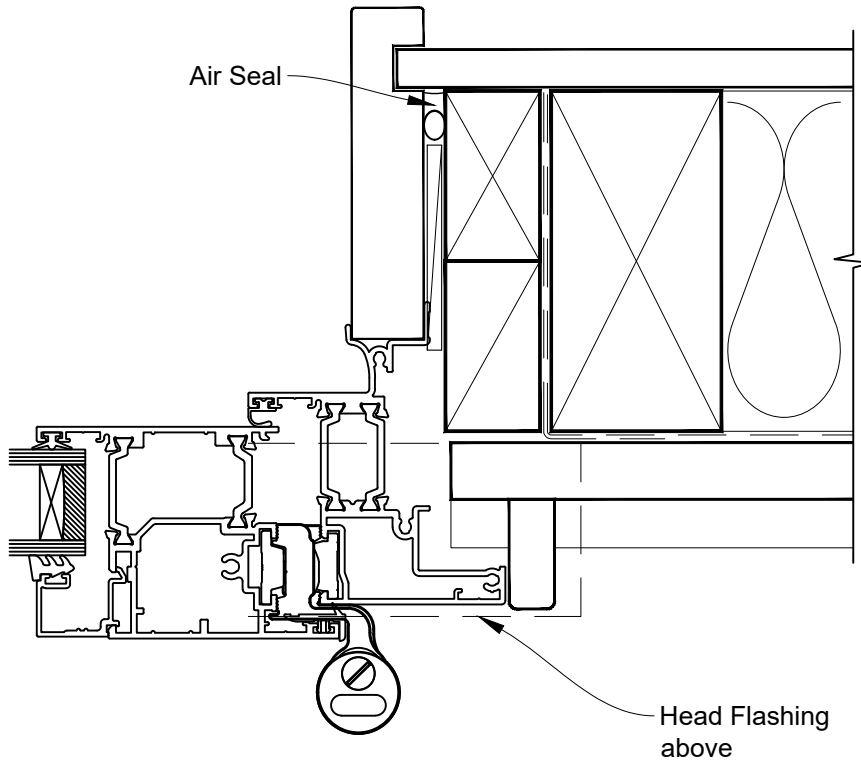


INSTALLATION DETAIL - METRO THERMAL HEART HINGE DOOR OPEN OUT ON BEVELBACK WEATHERBOARD DIRECT FIXED CLADDING

Date: 01.03.23

Scale: 1:2

CAD Ref.: TMHOBW-DJ





INSTALLATION DETAIL - METRO THERMAL HEART HINGE DOOR OPEN OUT ON BEVELBACK WEATHERBOARD DIRECT FIXED CLADDING

Date: 01.03.23

Scale: 1:2

CAD Ref.: TMHOBW-DS

