

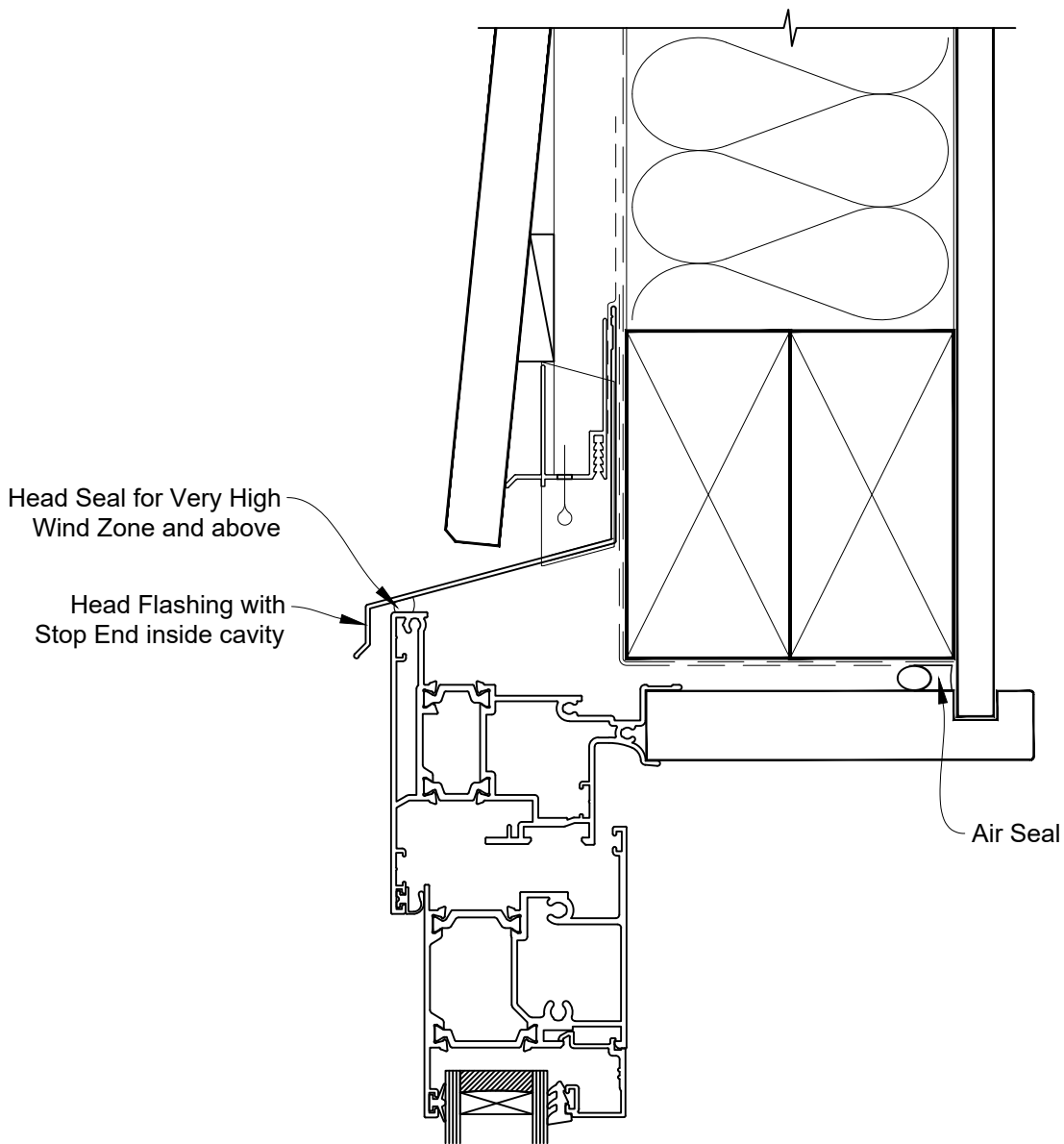


# INSTALLATION DETAIL - METRO THERMAL HEART HINGE DOOR OPEN IN ON BEVEL BACK WEATHERBOARD CAVITY CONSTRUCTION

Date: 01.11.23

Scale: 1:2

CAD Ref.: TMHIBW-CH



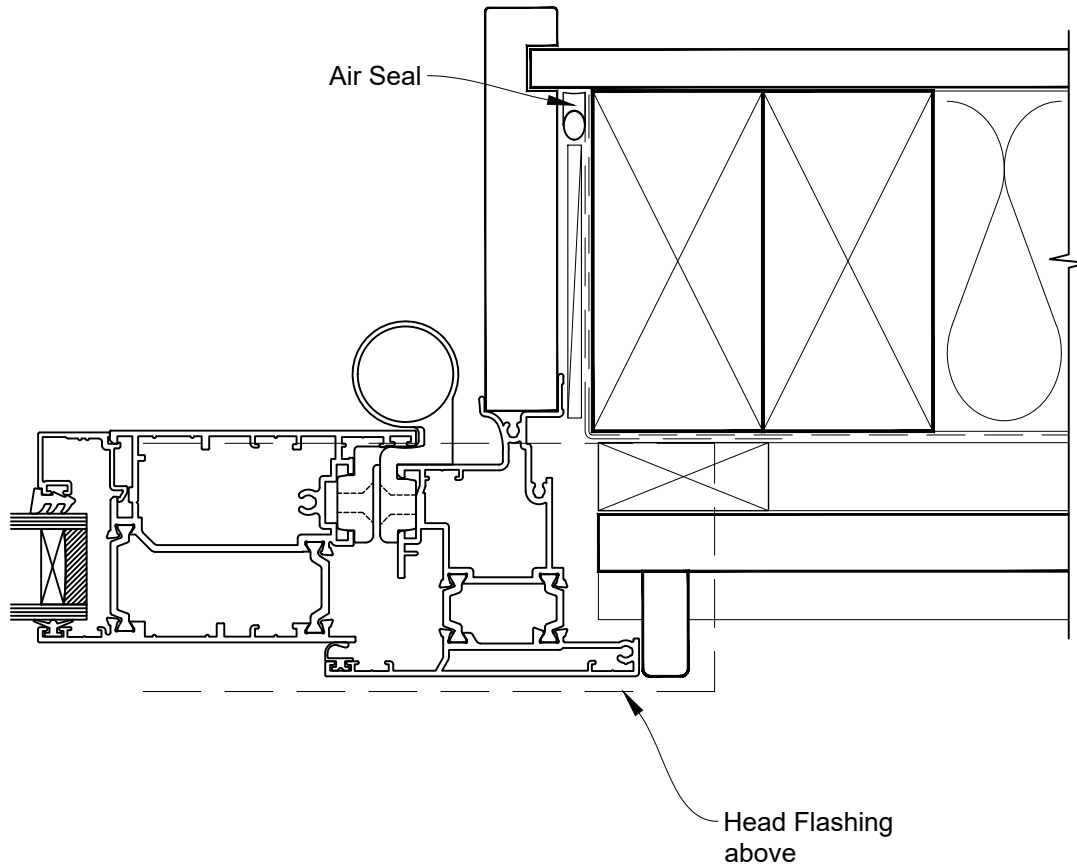


# INSTALLATION DETAIL - METRO THERMAL HEART HINGE DOOR OPEN IN ON BEVEL BACK WEATHERBOARD CAVITY CONSTRUCTION

Date: 01.11.23

Scale: 1:2

CAD Ref.: TMHIBW-CJ



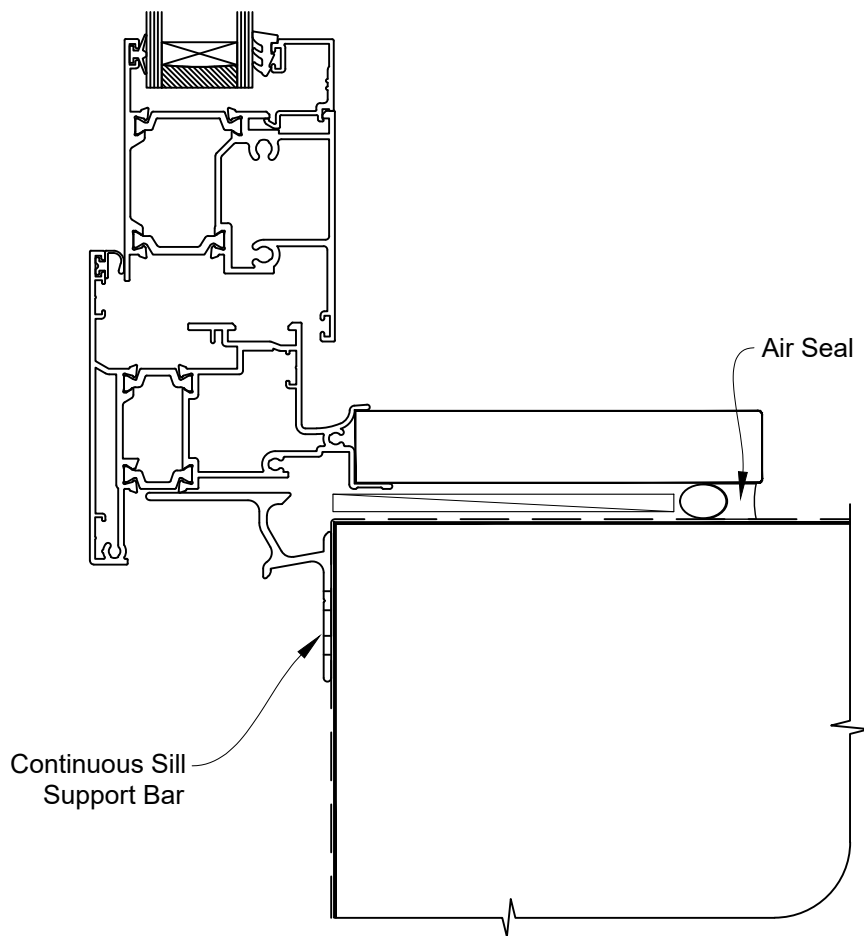


# INSTALLATION DETAIL - METRO THERMAL HEART HINGE DOOR OPEN IN ON BEVEL BACK WEATHERBOARD CAVITY CONSTRUCTION

Date: 01.11.23

Scale: 1:2

CAD Ref.: TMHIBW-CS



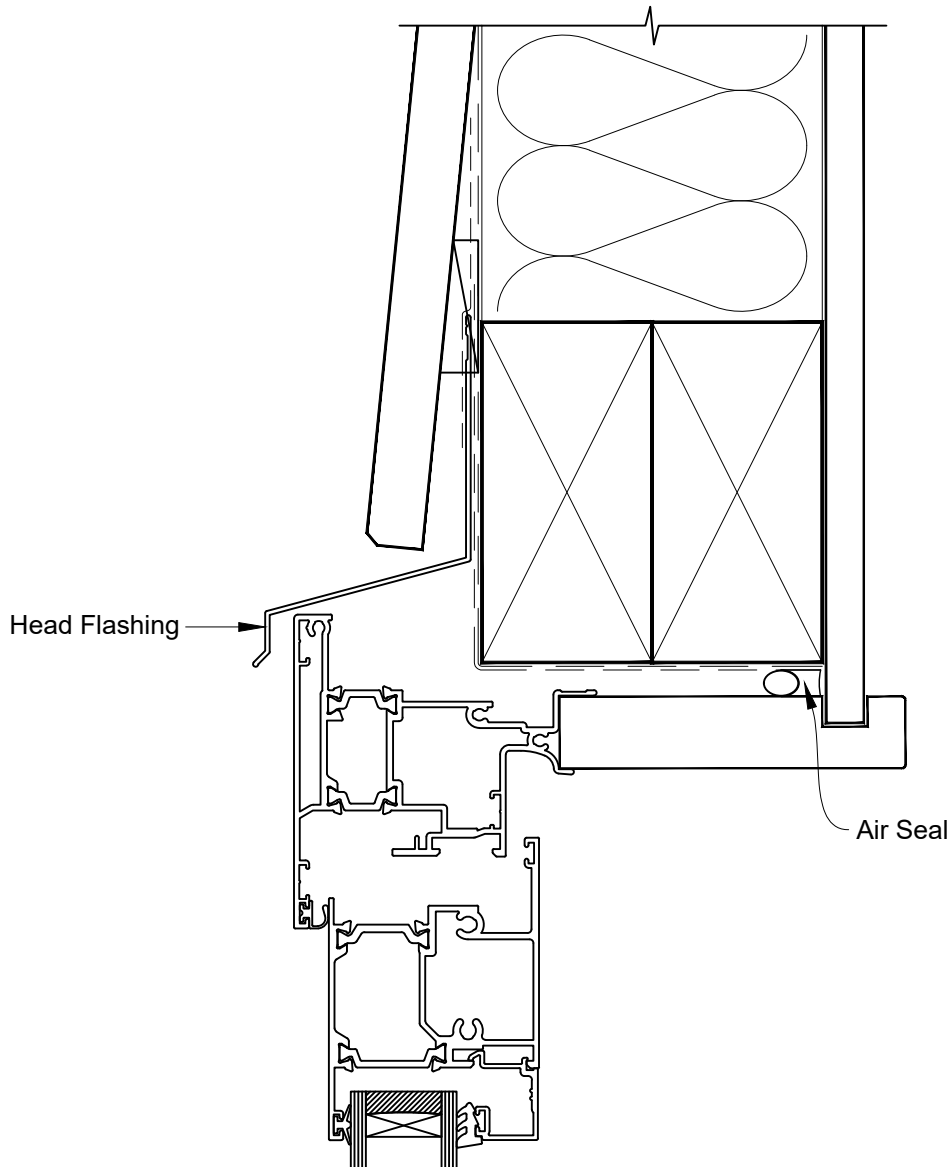


# INSTALLATION DETAIL - METRO THERMAL HEART HINGE DOOR OPEN IN ON BEVEL BACK WEATHERBOARD DIRECT FIXED CLADDING

Date: 01.11.23

Scale: 1:2

CAD Ref.: TMHIBW-DH



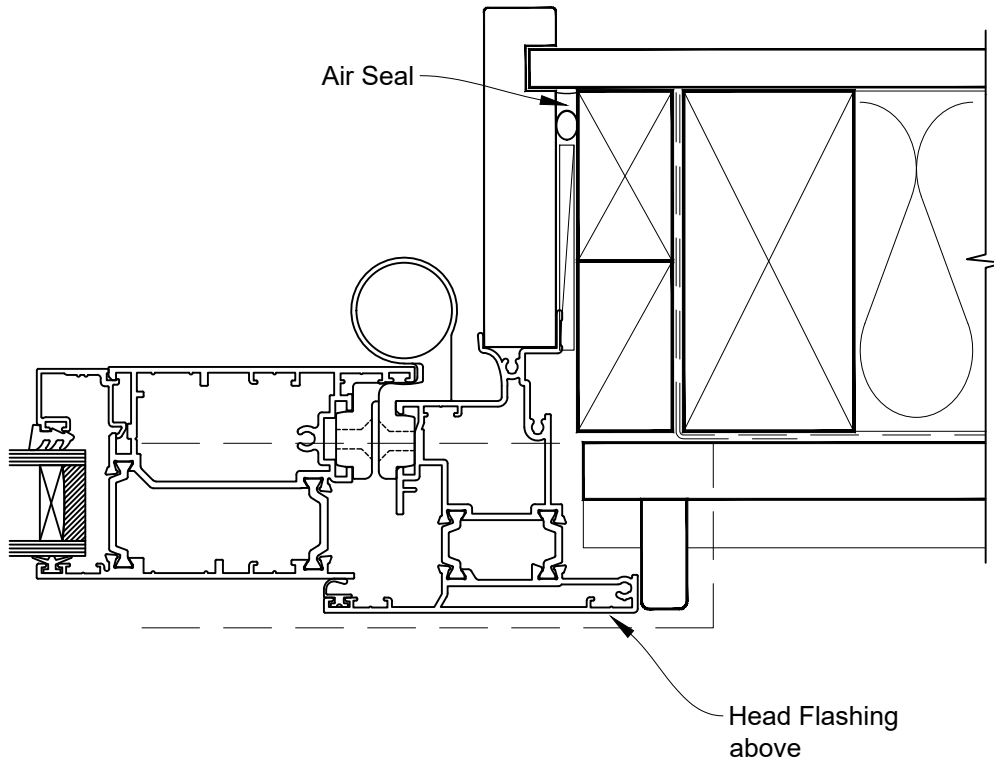


# INSTALLATION DETAIL - METRO THERMAL HEART HINGE DOOR OPEN IN ON BEVEL BACK WEATHERBOARD DIRECT FIXED CLADDING

Date: 01.11.23

Scale: 1:2

CAD Ref.: TMHIBW-DJ





# INSTALLATION DETAIL - METRO THERMAL HEART HINGE DOOR OPEN IN ON BEVEL BACK WEATHERBOARD DIRECT FIXED CLADDING

Date: 01.11.23

Scale: 1:2

CAD Ref.: TMHIBW-DS

