

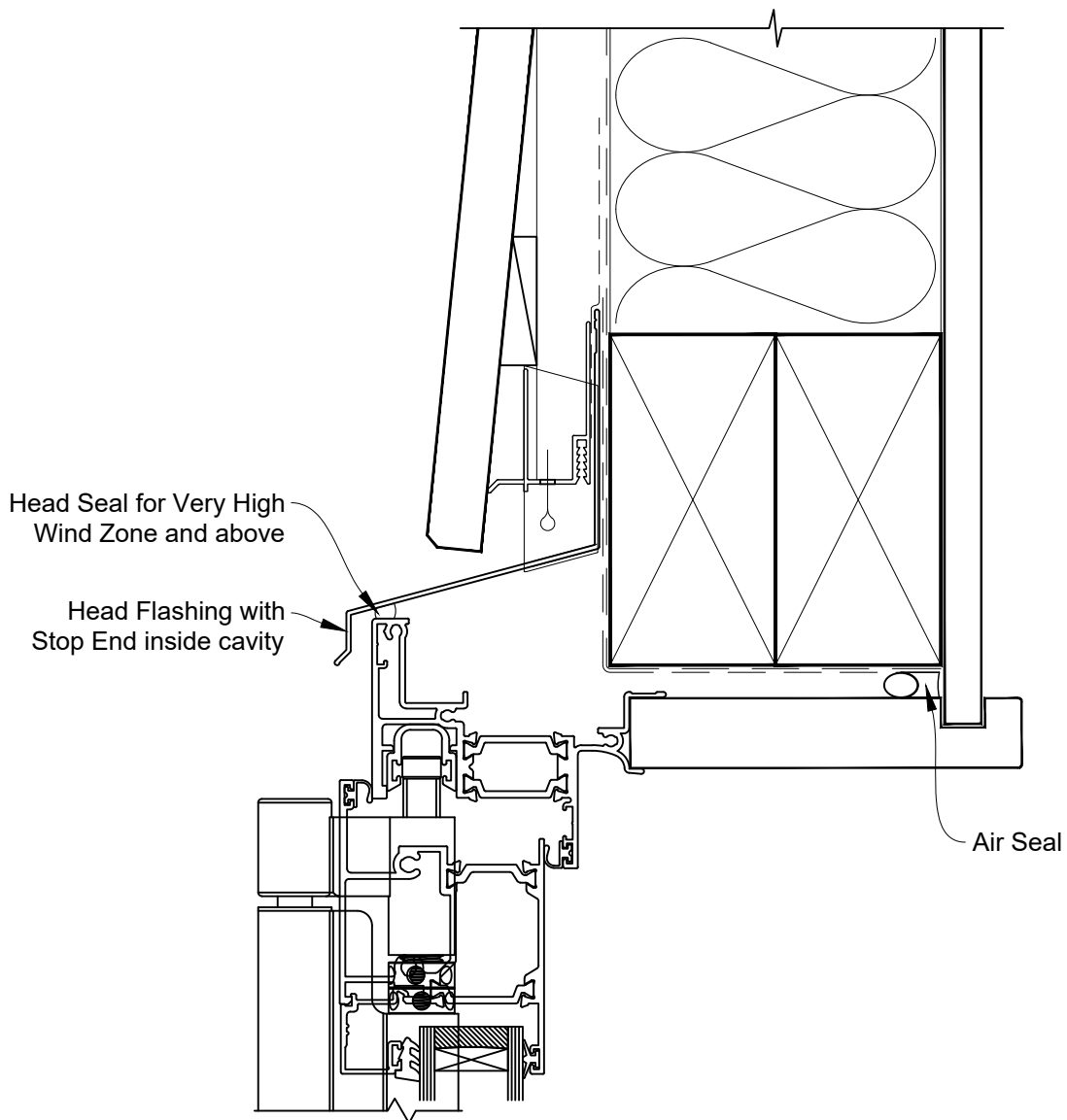


INSTALLATION DETAIL - METRO THERMAL HEART BIFOLD DOOR OPEN OUT ON BEVELBACK WEATHERBOARD CAVITY CONSTRUCTION

Date: 01.03.23

Scale: 1:2

CAD Ref.: TMBDBW-CH



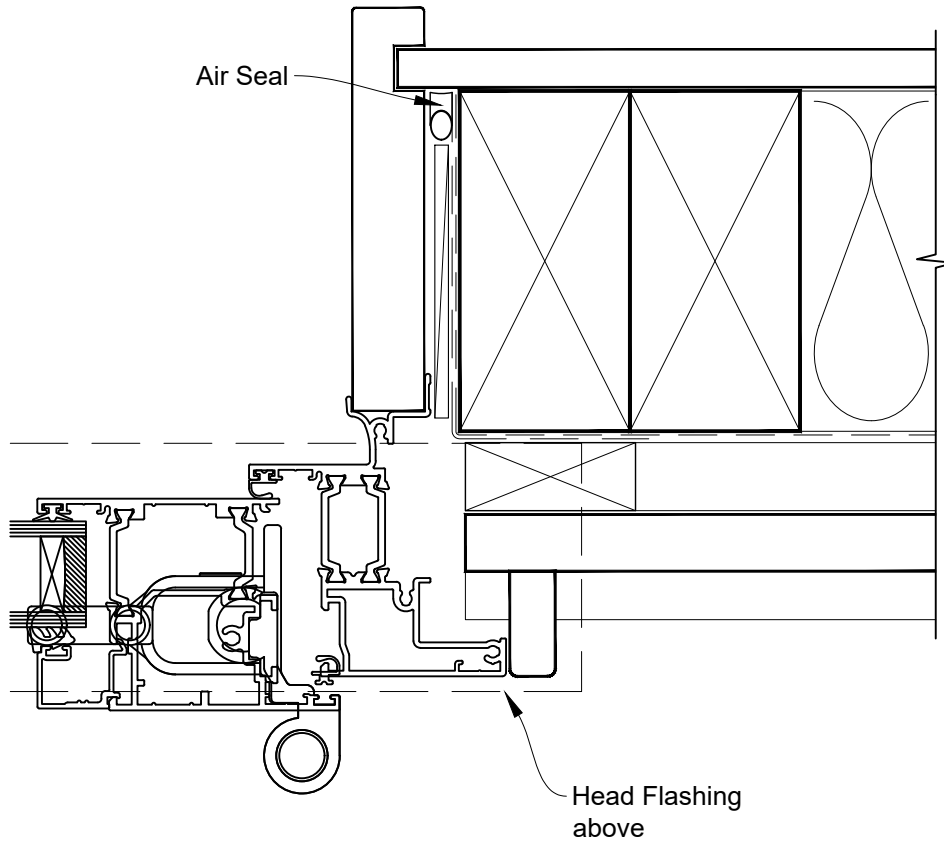


INSTALLATION DETAIL - METRO THERMAL HEART BIFOLD DOOR OPEN OUT ON BEVELBACK WEATHERBOARD CAVITY CONSTRUCTION

Date: 01.03.23

Scale: 1:2

CAD Ref.: TMBDBW-CJ



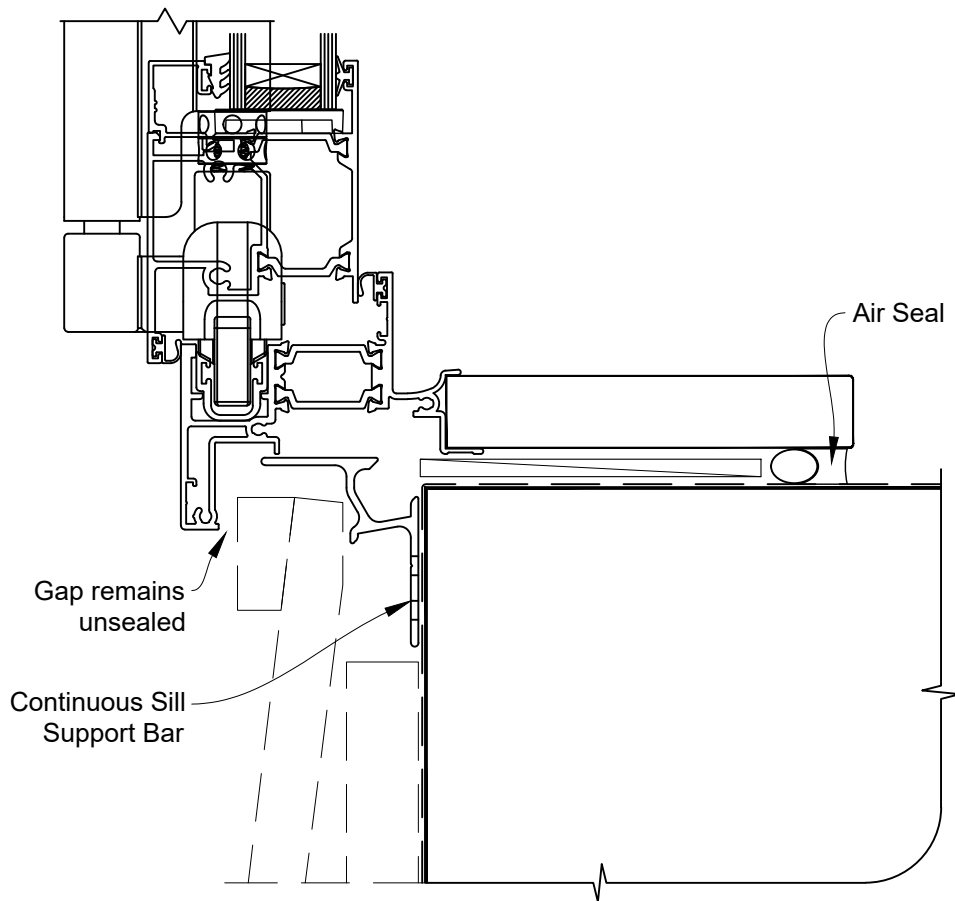


INSTALLATION DETAIL - METRO THERMAL HEART BIFOLD DOOR OPEN OUT ON BEVELBACK WEATHERBOARD CAVITY CONSTRUCTION

Date: 01.03.23

Scale: 1:2

CAD Ref.: TMBDBW-CS



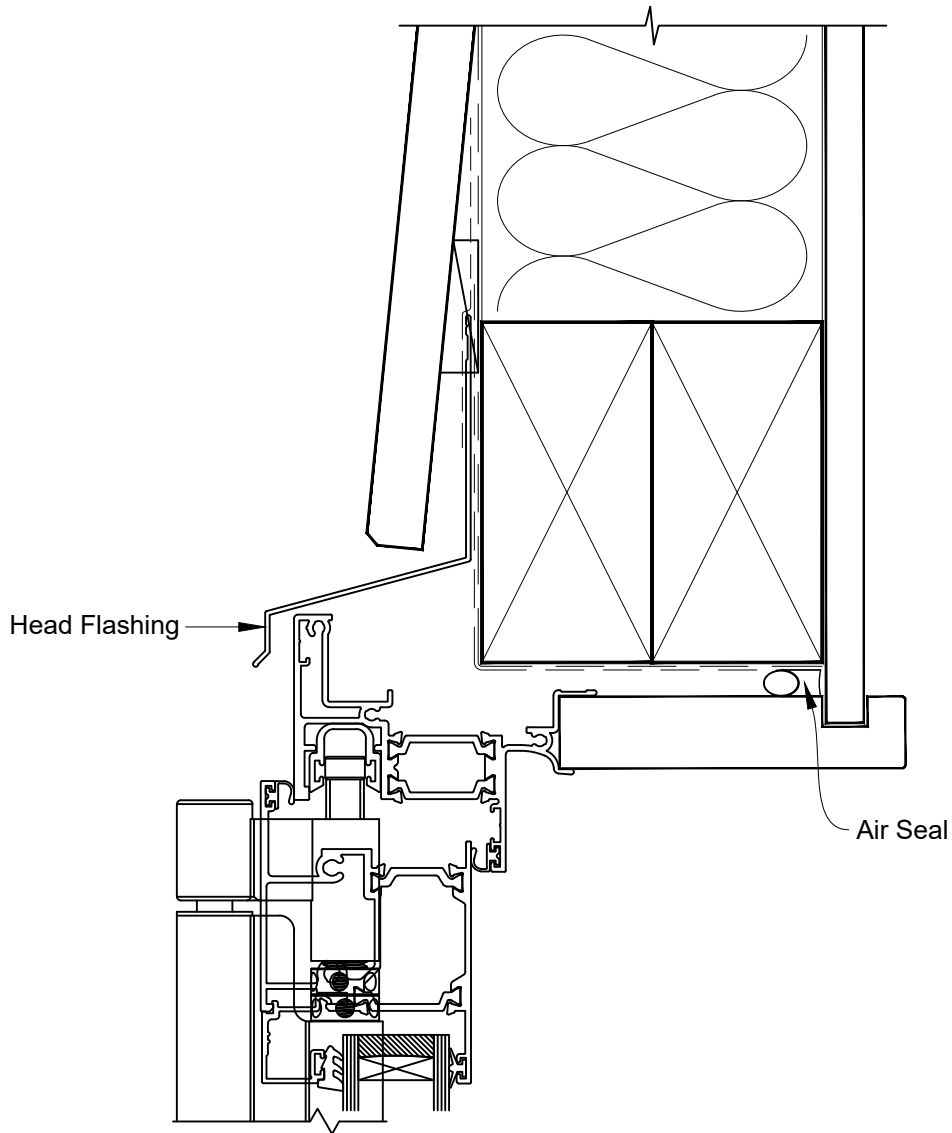


INSTALLATION DETAIL - METRO THERMAL HEART BIFOLD DOOR OPEN OUT ON BEVELBACK WEATHERBOARD DIRECT FIXED CLADDING

Date: 01.03.23

Scale: 1:2

CAD Ref.: TMBDBW-DH



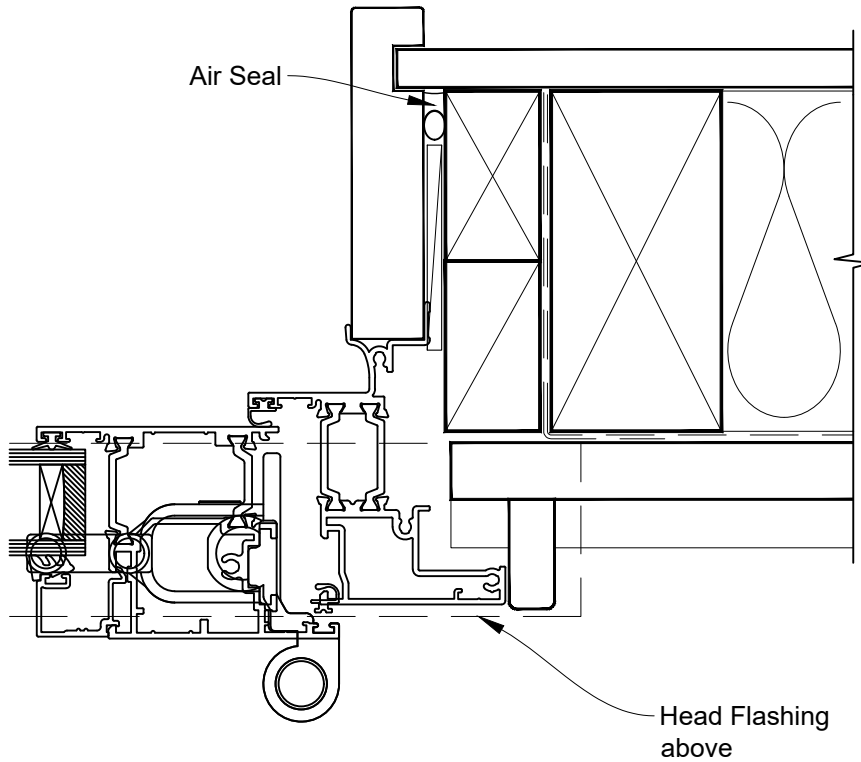


INSTALLATION DETAIL - METRO THERMAL HEART BIFOLD DOOR OPEN OUT ON BEVELBACK WEATHERBOARD DIRECT FIXED CLADDING

Date: 01.03.23

Scale: 1:2

CAD Ref.: TMBDBW-DJ





INSTALLATION DETAIL - METRO THERMAL HEART BIFOLD DOOR OPEN OUT ON BEVELBACK WEATHERBOARD DIRECT FIXED CLADDING

Date: 01.03.23

Scale: 1:2

CAD Ref.: TMBDBW-DS

