

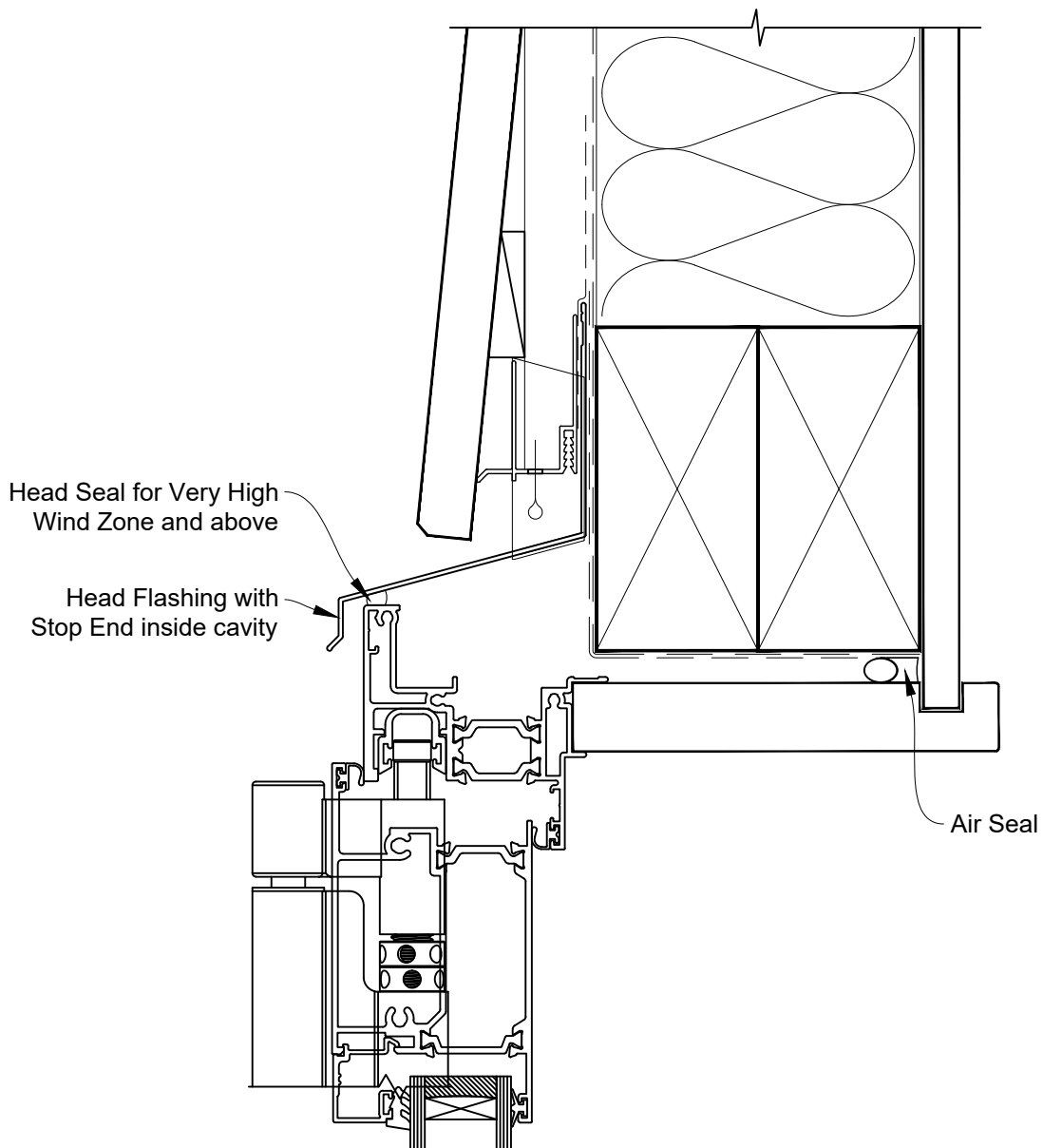


INSTALLATION DETAIL - RESIDENTIAL THERMAL HEART BIFOLD DOOR OPEN OUT ON BEVELBACK WEATHERBOARD CAVITY CONSTRUCTION

Date: 01.01.23

Scale: 1:2

CAD Ref.: TRBDBW-CH



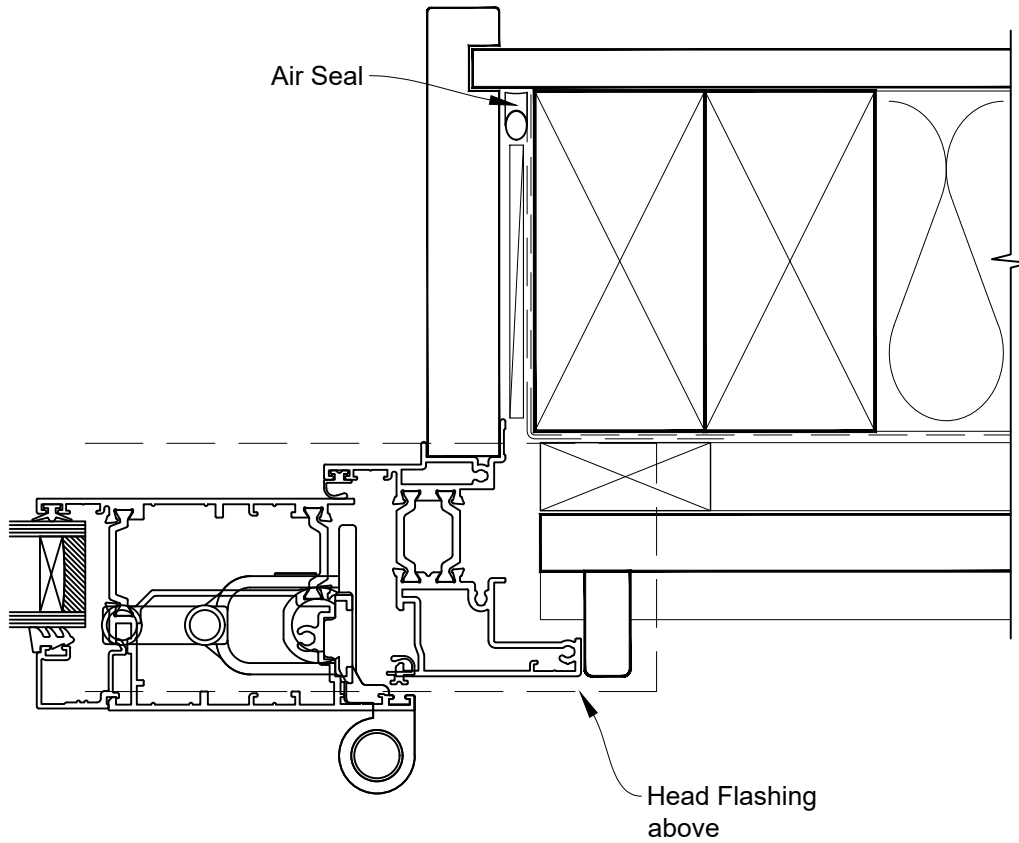


INSTALLATION DETAIL - RESIDENTIAL THERMAL HEART BIFOLD DOOR OPEN OUT ON BEVELBACK WEATHERBOARD CAVITY CONSTRUCTION

Date: 01.01.23

Scale: 1:2

CAD Ref.: TRBDBW-CJ



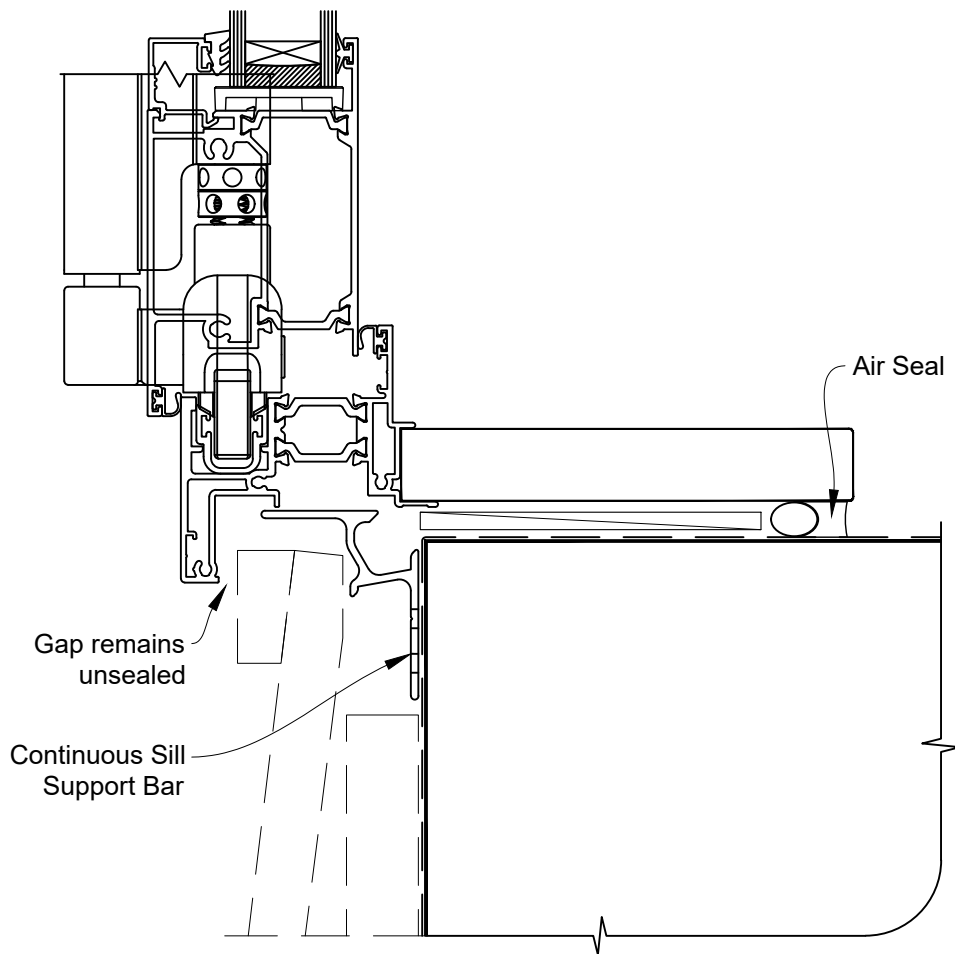


INSTALLATION DETAIL - RESIDENTIAL THERMAL HEART BIFOLD DOOR OPEN OUT ON BEVELBACK WEATHERBOARD CAVITY CONSTRUCTION

Date: 01.01.23

Scale: 1:2

CAD Ref.: TRBDBW-CS



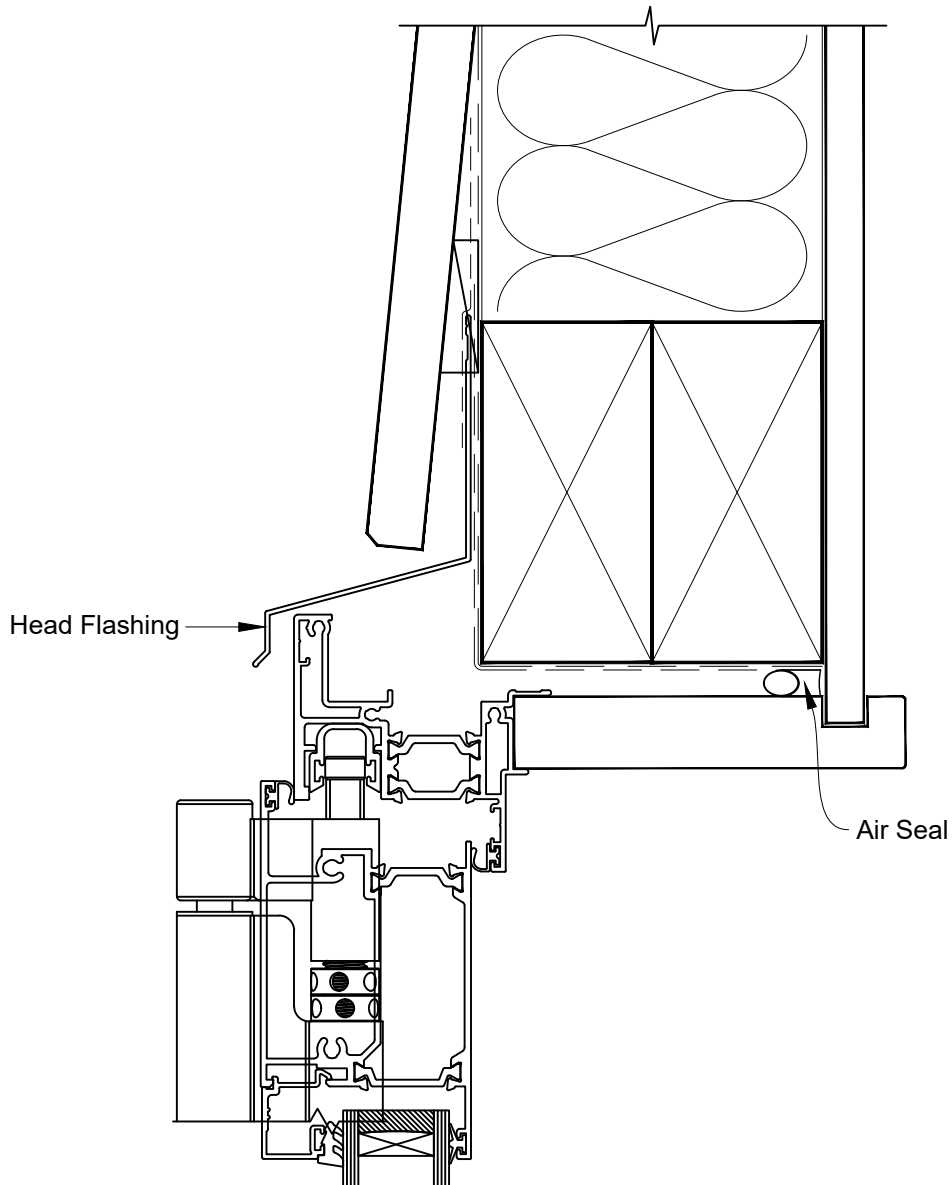


INSTALLATION DETAIL - RESIDENTIAL THERMAL HEART BIFOLD DOOR OPEN OUT ON BEVELBACK WEATHERBOARD DIRECT FIXED CLADDING

Date: 01.01.23

Scale: 1:2

CAD Ref.: TRBDBW-DH



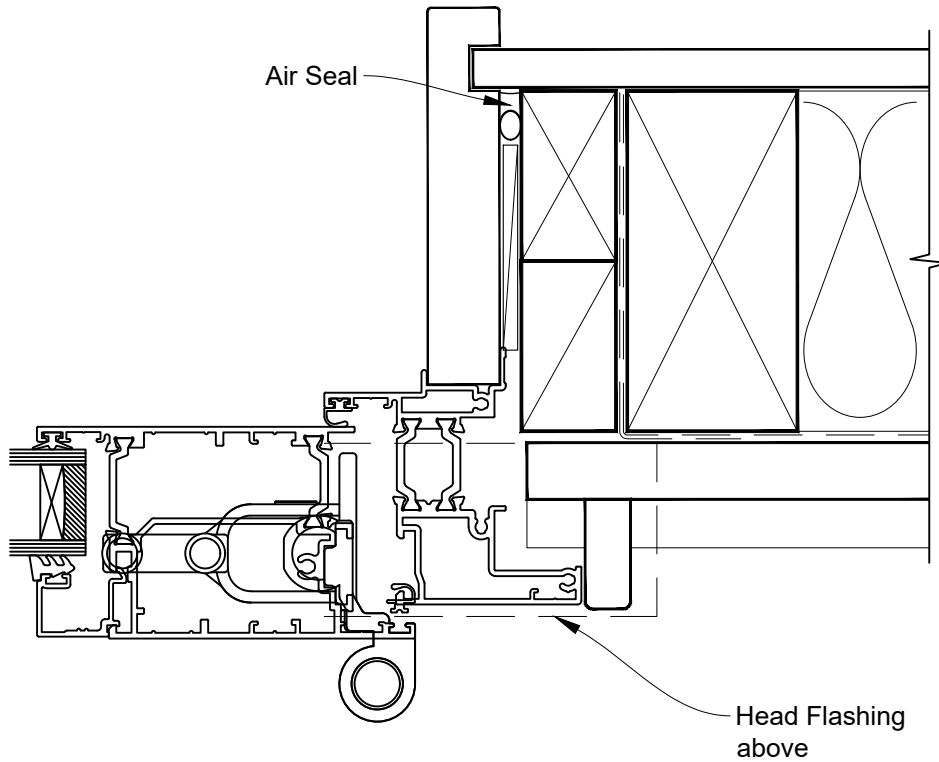


**INSTALLATION DETAIL - RESIDENTIAL THERMAL HEART
BIFOLD DOOR OPEN OUT ON BEVELBACK WEATHERBOARD
DIRECT FIXED CLADDING**

Date: 01.01.23

Scale: 1:2

CAD Ref.: TRBDBW-DJ





INSTALLATION DETAIL - RESIDENTIAL THERMAL HEART BIFOLD DOOR OPEN OUT ON BEVELBACK WEATHERBOARD DIRECT FIXED CLADDING

Date: 01.01.23

Scale: 1:2

CAD Ref.: TRBDBW-DS

