

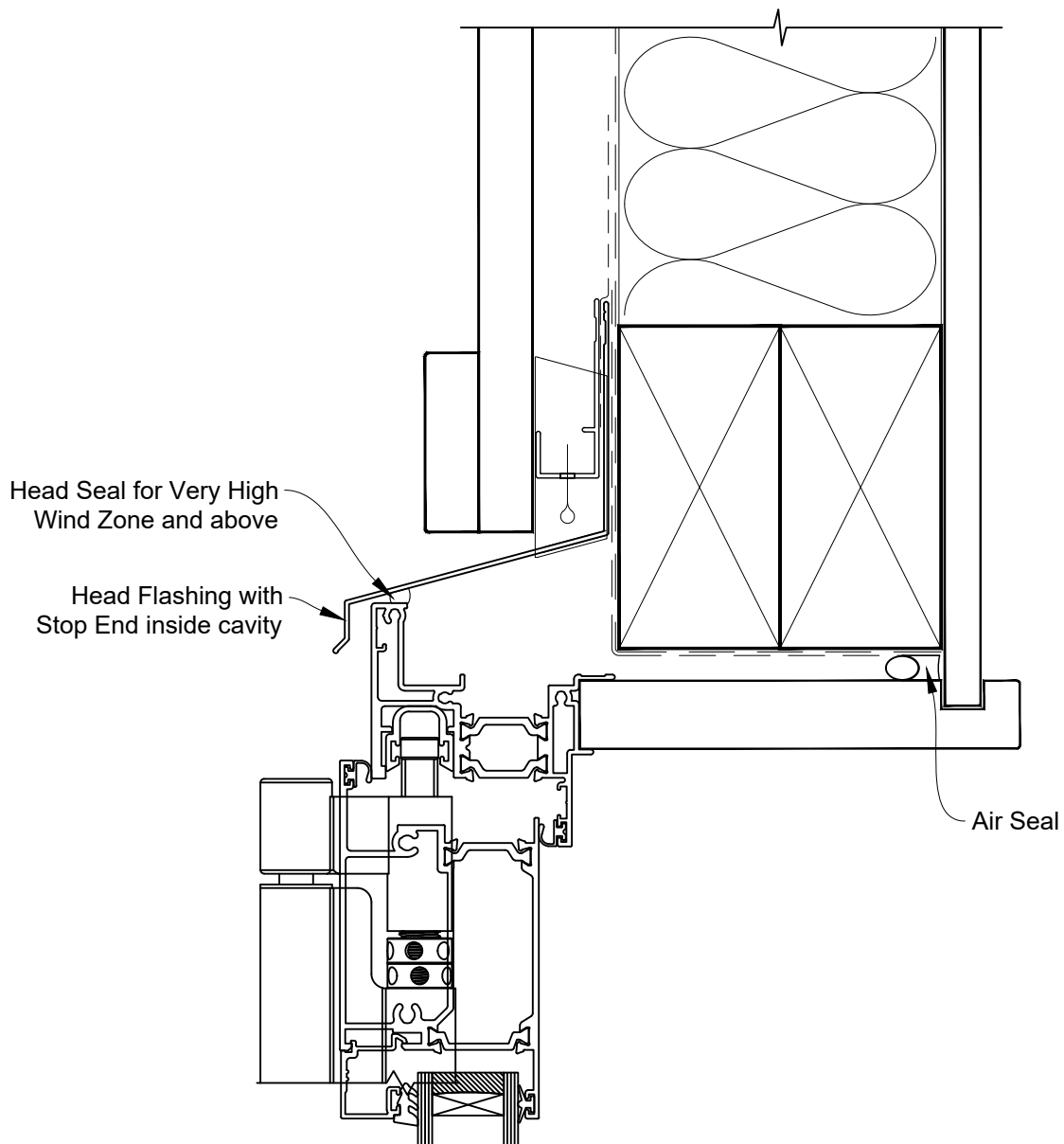


INSTALLATION DETAIL - RESIDENTIAL THERMAL HEART BIFOLD DOOR OPEN OUT ON BOARD AND BATTEN CAVITY CONSTRUCTION

Date: 01.01.23

Scale: 1:2

CAD Ref.: TRBDBB-CH



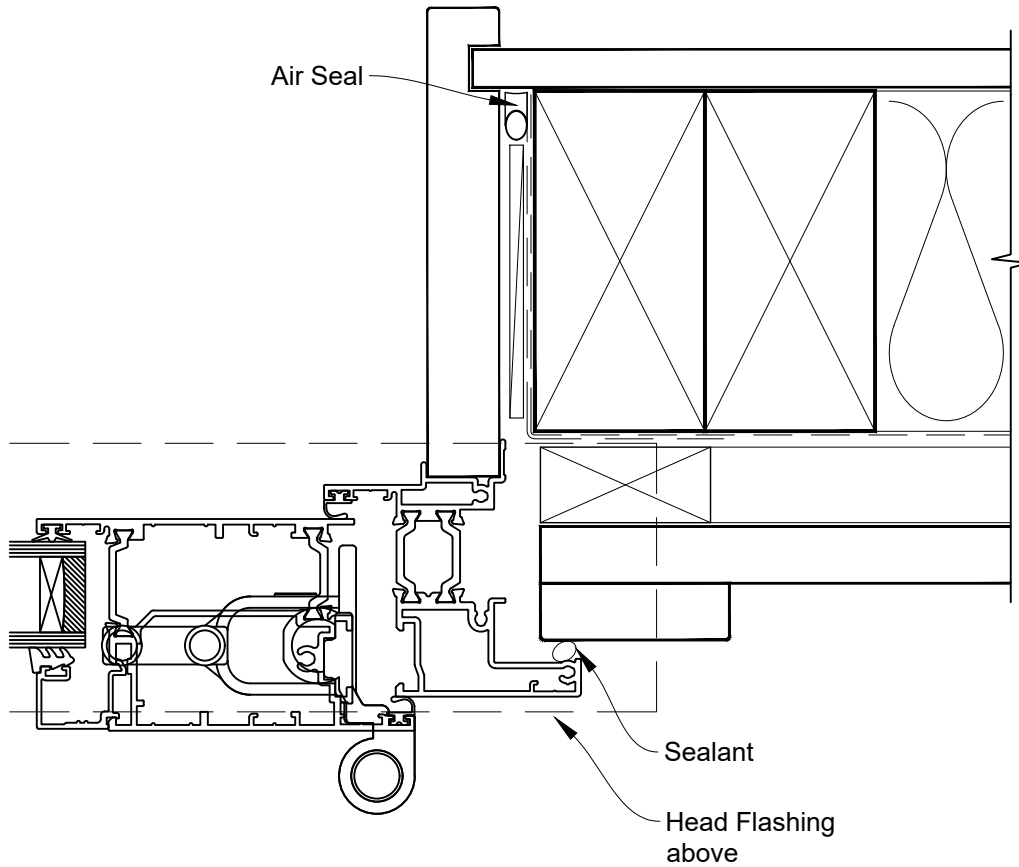


INSTALLATION DETAIL - RESIDENTIAL THERMAL HEART BIFOLD DOOR OPEN OUT ON BOARD AND BATTEN CAVITY CONSTRUCTION

Date: 01.01.23

Scale: 1:2

CAD Ref.: TRBDBB-CJ



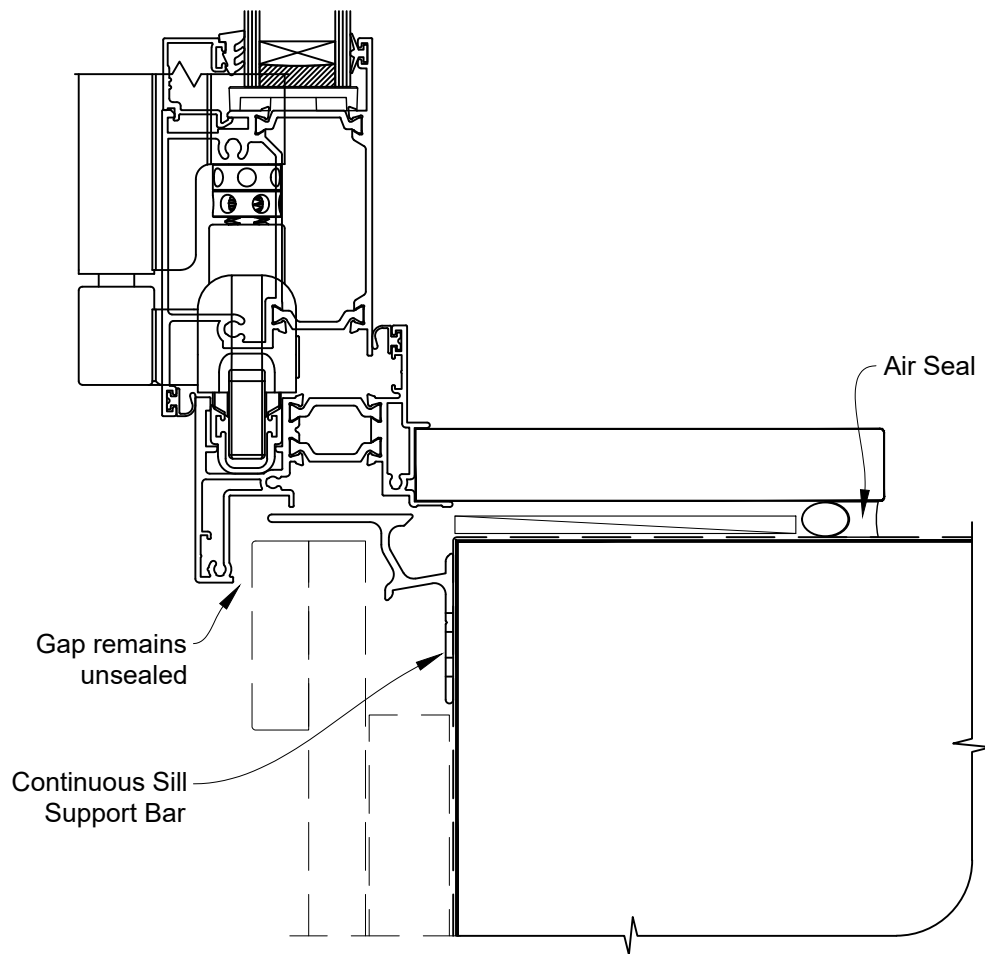


INSTALLATION DETAIL - RESIDENTIAL THERMAL HEART BIFOLD DOOR OPEN OUT ON BOARD AND BATTEN CAVITY CONSTRUCTION

Date: 01.01.23

Scale: 1:2

CAD Ref.: TRBDBB-CS



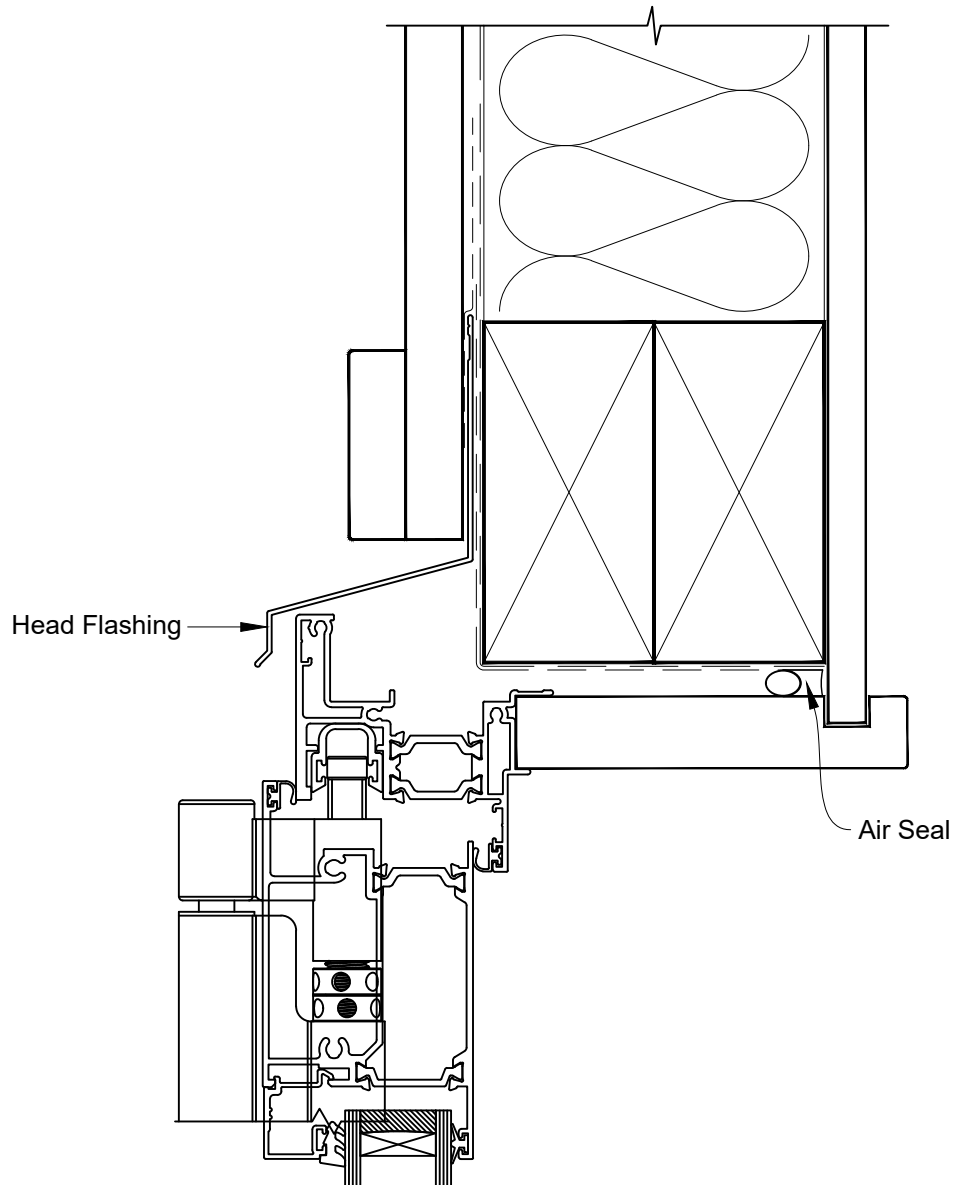


INSTALLATION DETAIL - RESIDENTIAL THERMAL HEART BIFOLD DOOR OPEN OUT ON BOARD AND BATTEN DIRECT FIXED CLADDING

Date: 01.01.23

Scale: 1:2

CAD Ref.: TRBDBB-DH



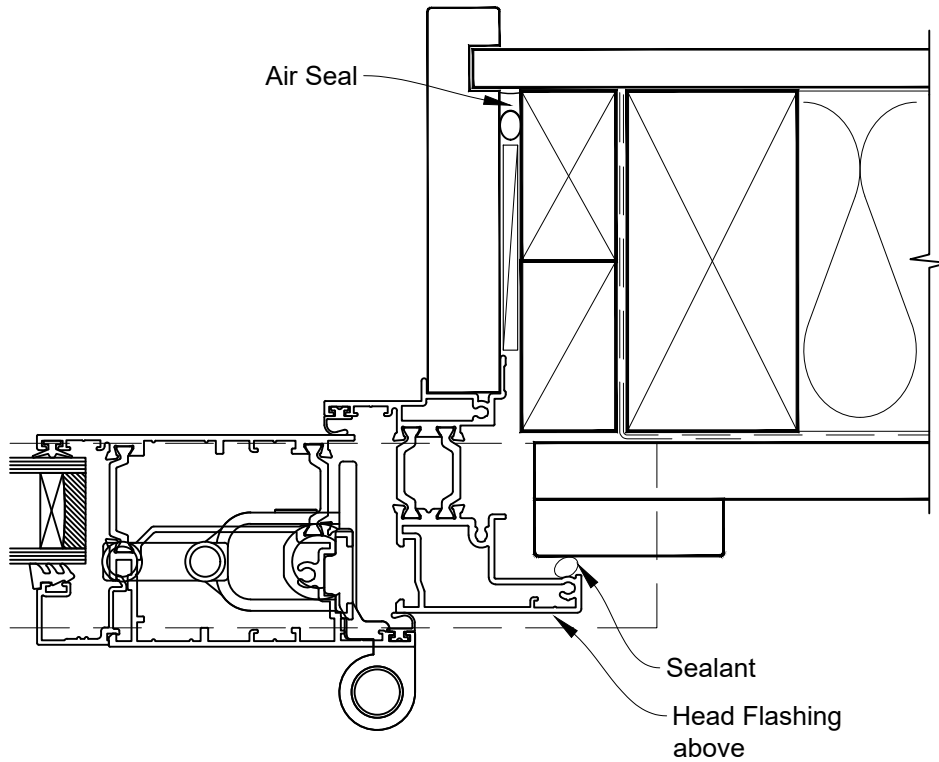


INSTALLATION DETAIL - RESIDENTIAL THERMAL HEART BIFOLD DOOR OPEN OUT ON BOARD AND BATTEN DIRECT FIXED CLADDING

Date: 01.01.23

Scale: 1:2

CAD Ref.: TRBDBB-DJ





INSTALLATION DETAIL - RESIDENTIAL THERMAL HEART BIFOLD DOOR OPEN OUT ON BOARD AND BATTEN DIRECT FIXED CLADDING

Date: 01.01.23

Scale: 1:2

CAD Ref.: TRBDBB-DS

