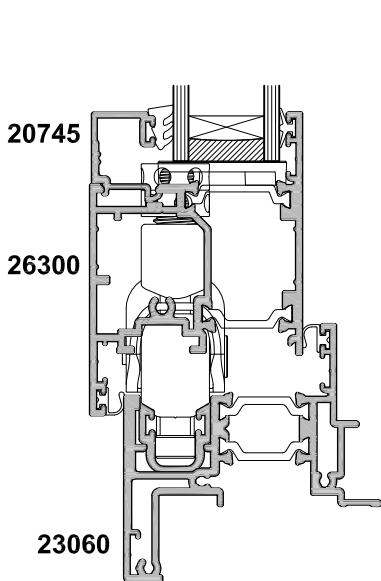
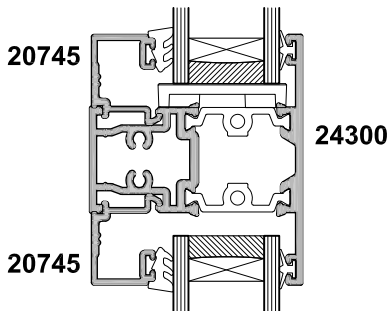
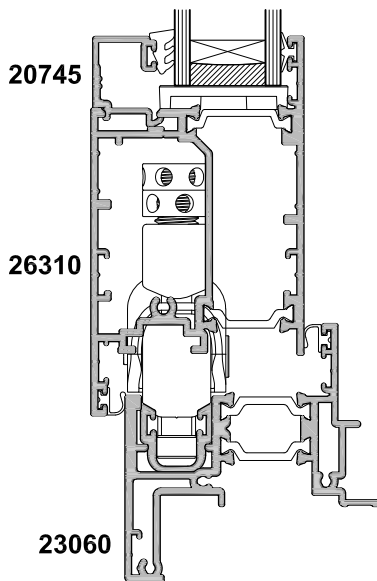


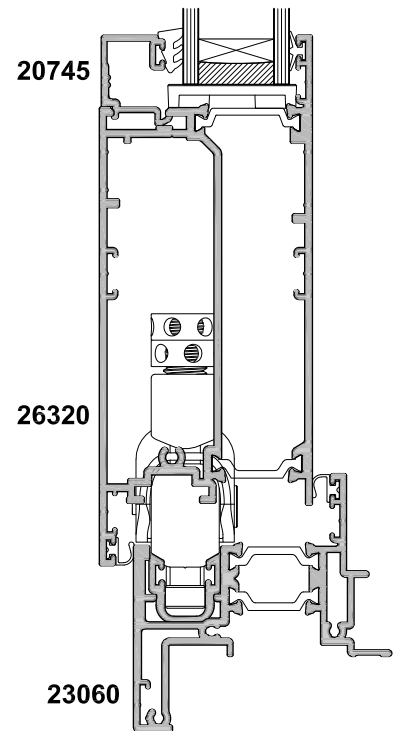
SECTION A-A



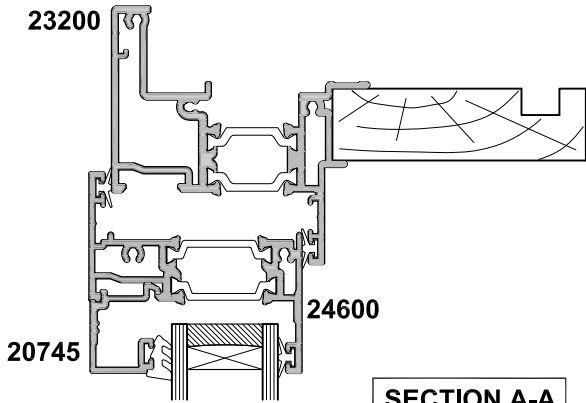
SMALL RAIL OPTION



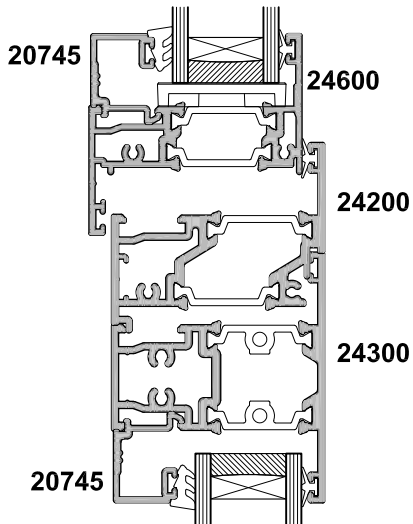
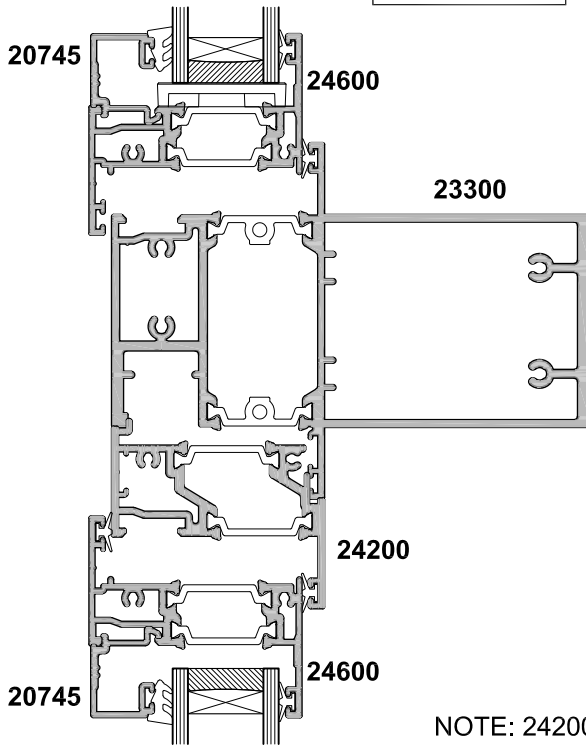
MEDIUM RAIL OPTION



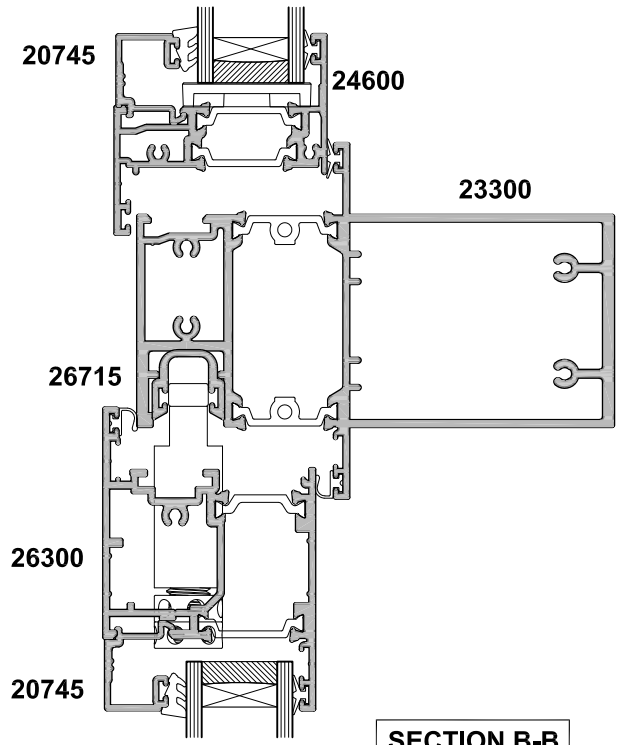
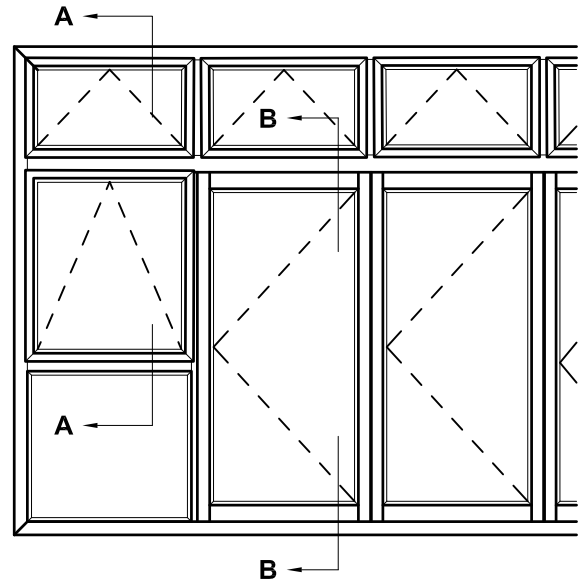
LARGE RAIL OPTION



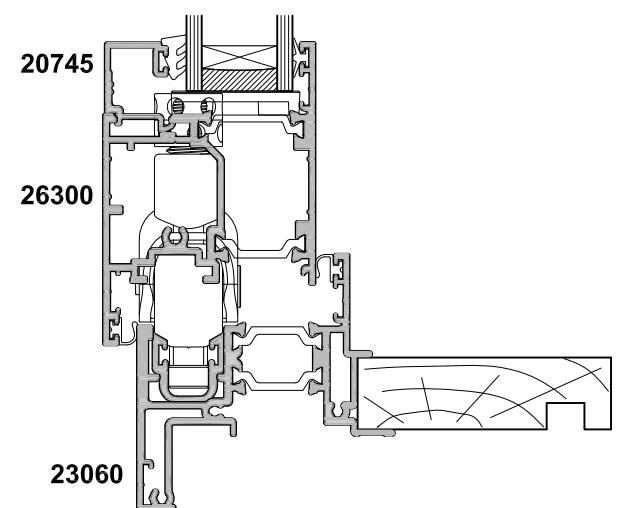
**SECTION A-A**

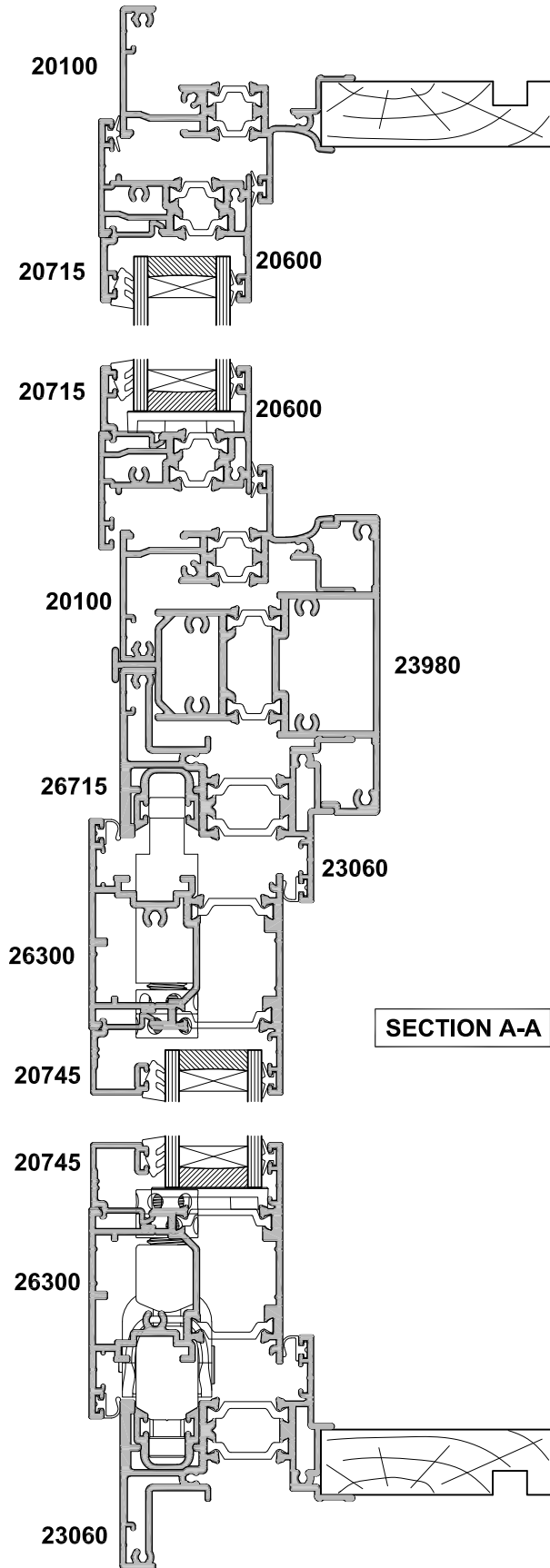


NOTE: 24200  
Adaptor will be  
required for a  
casement sash

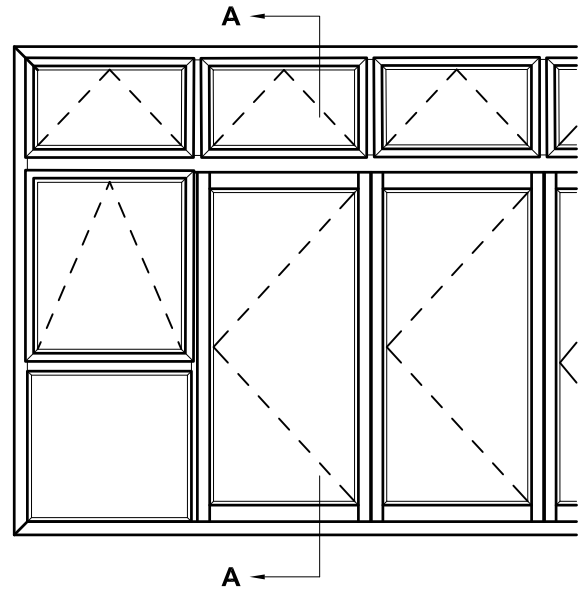


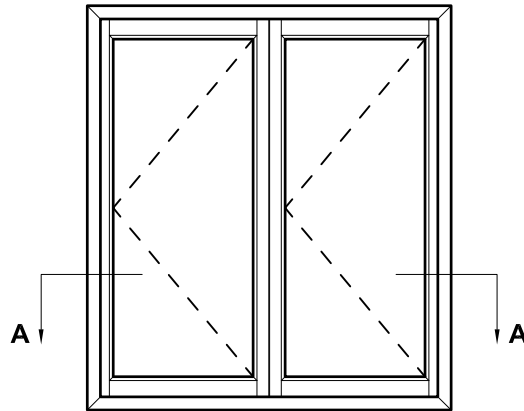
**SECTION B-B**



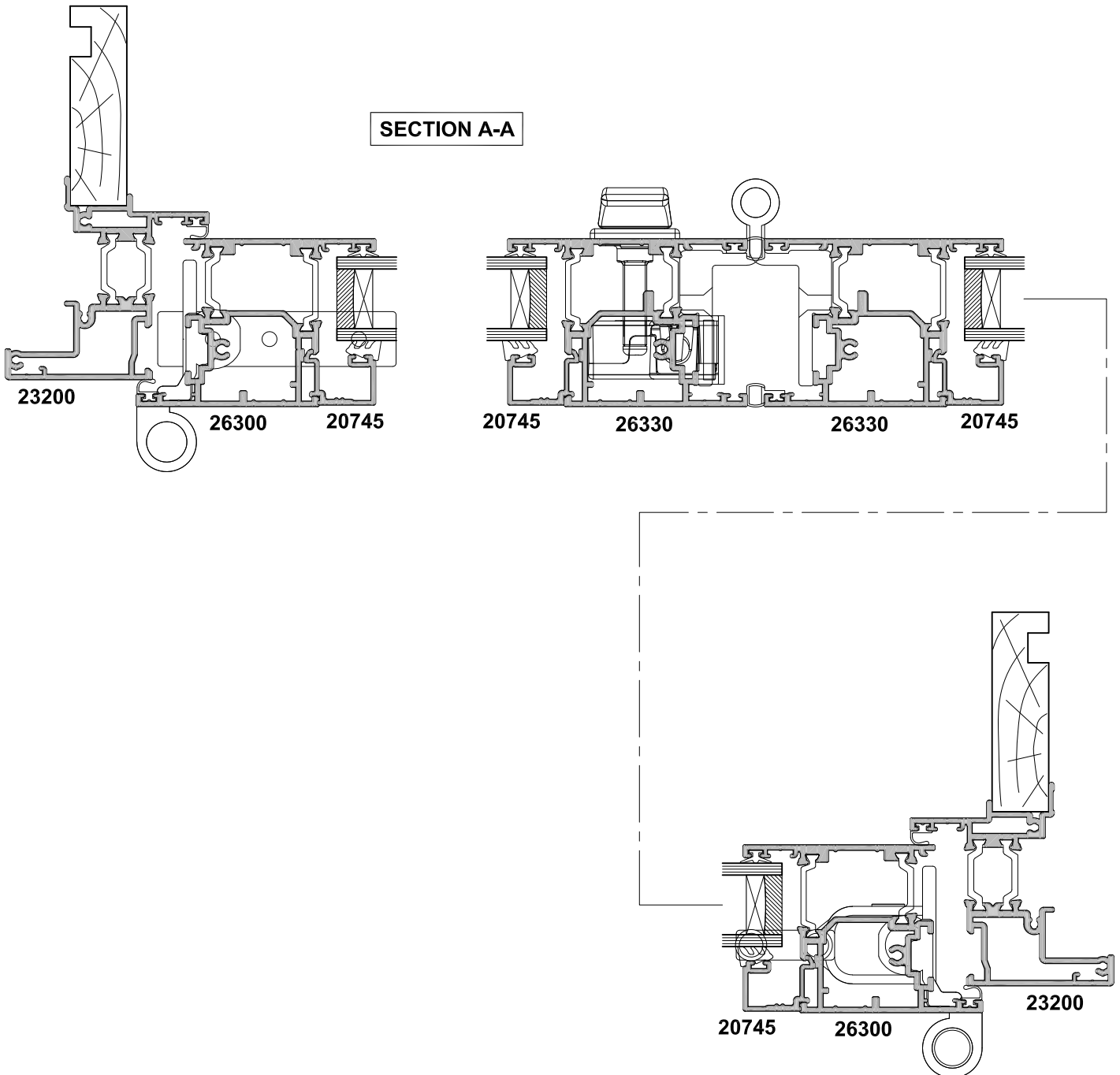


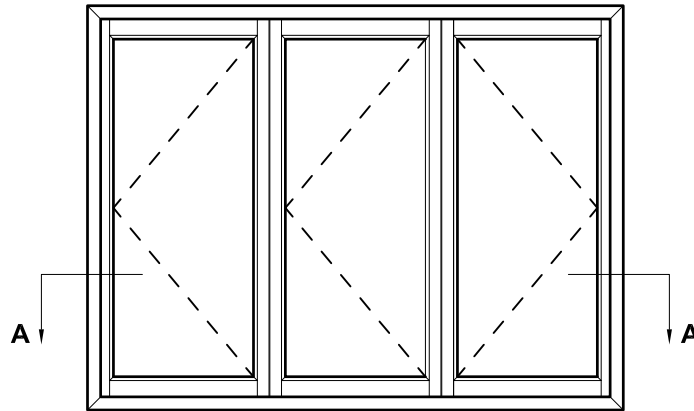
**SECTION A-A**



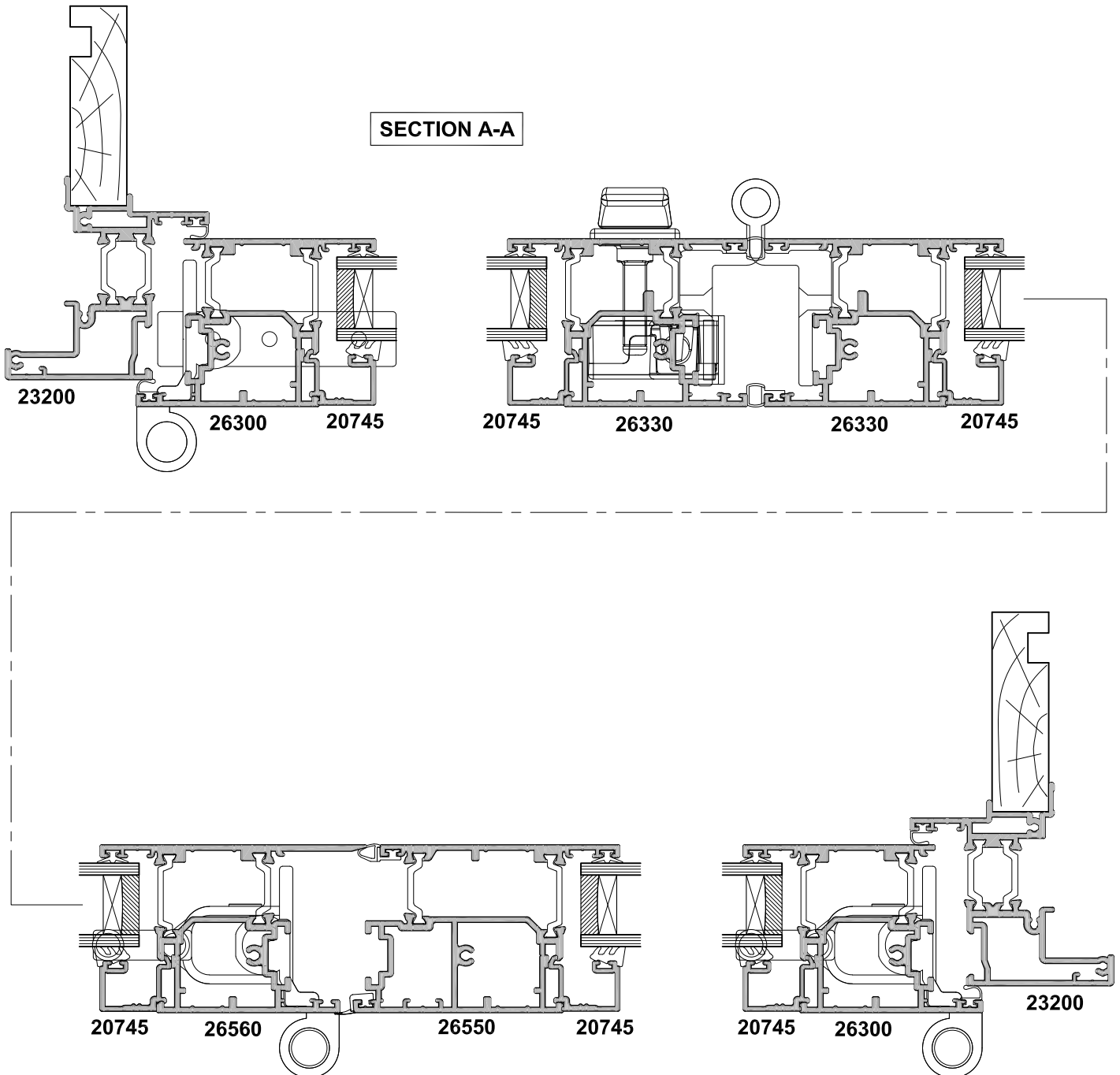


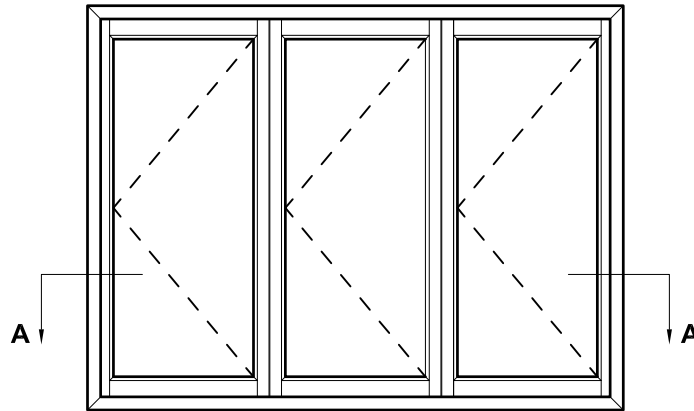
SECTION A-A



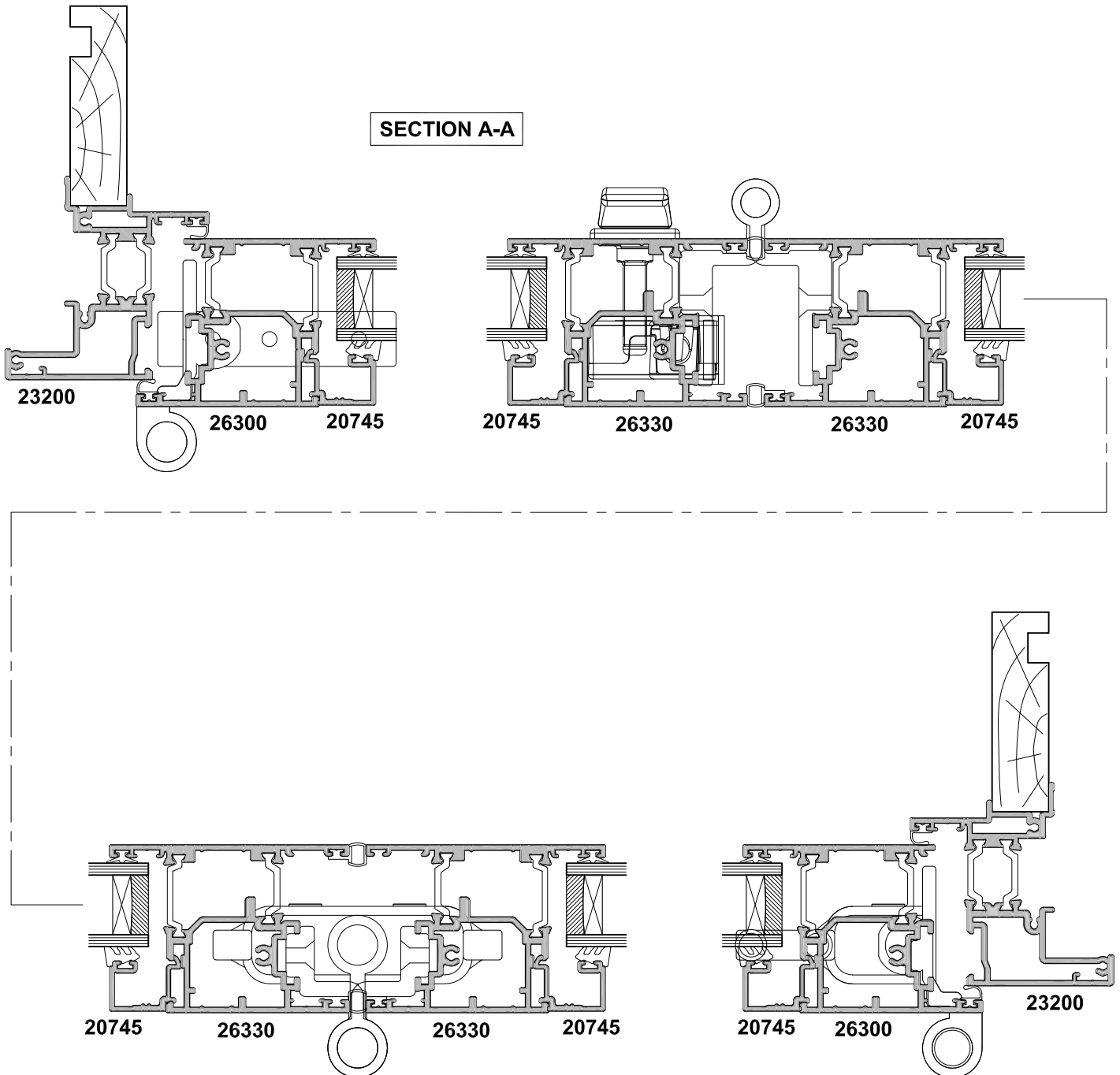


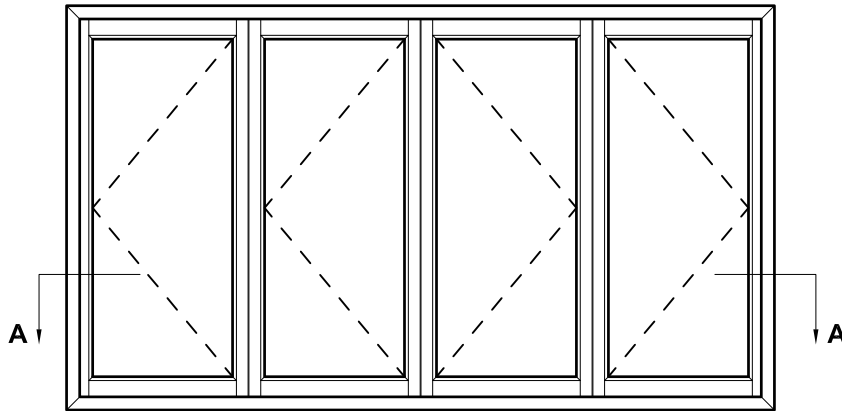
SECTION A-A



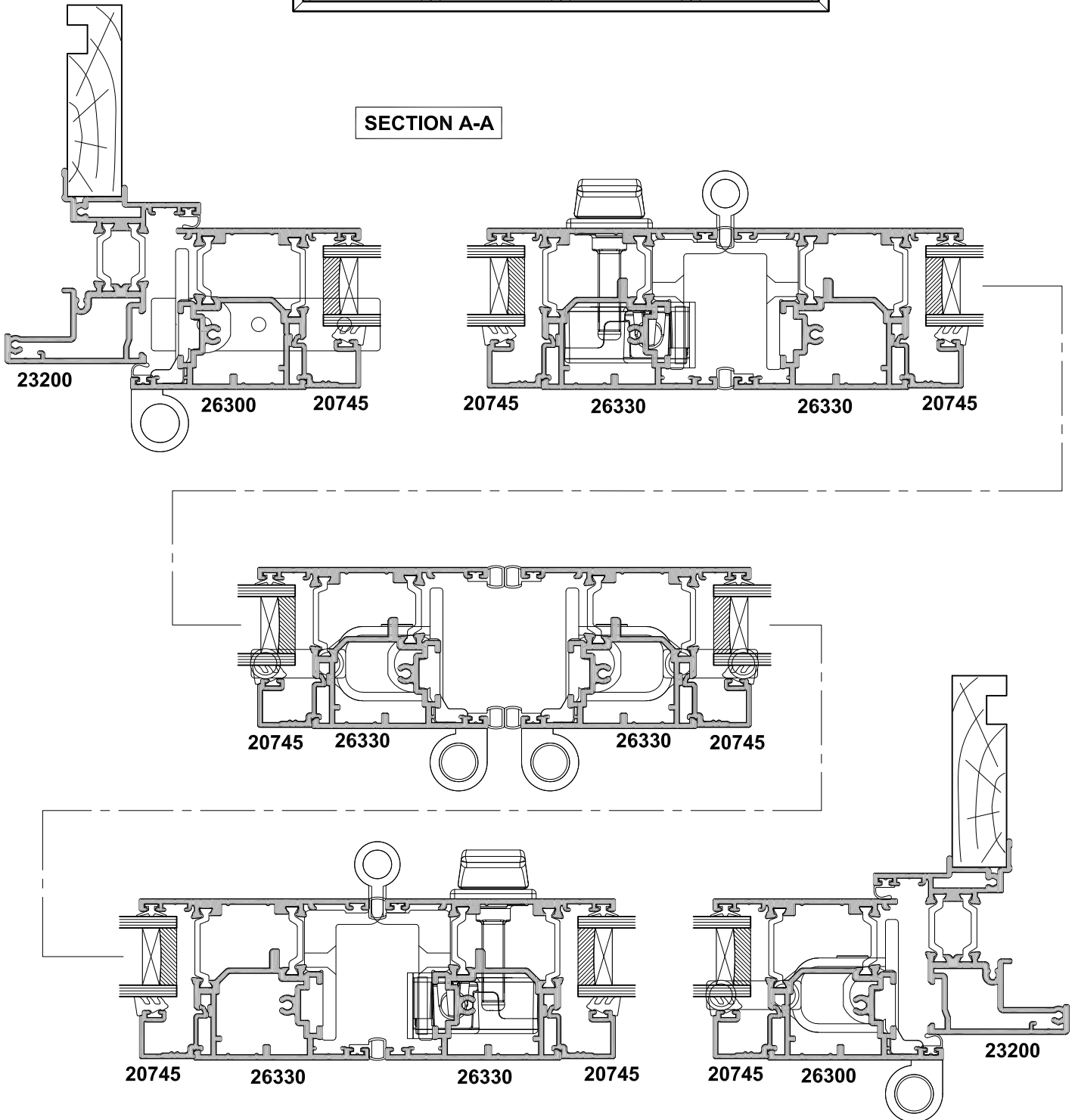


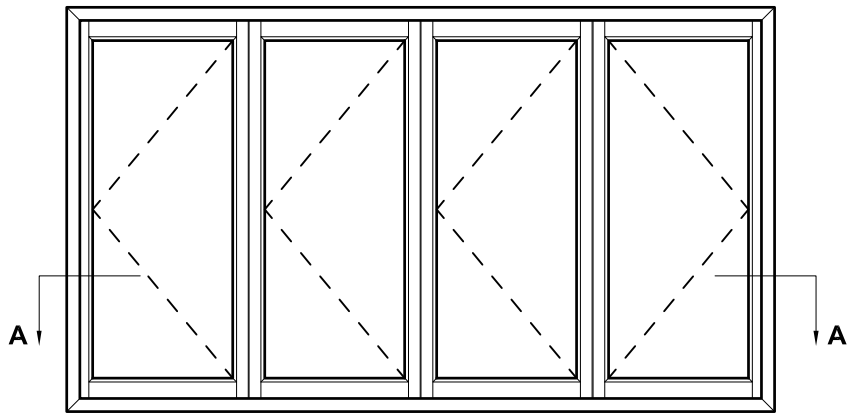
SECTION A-A



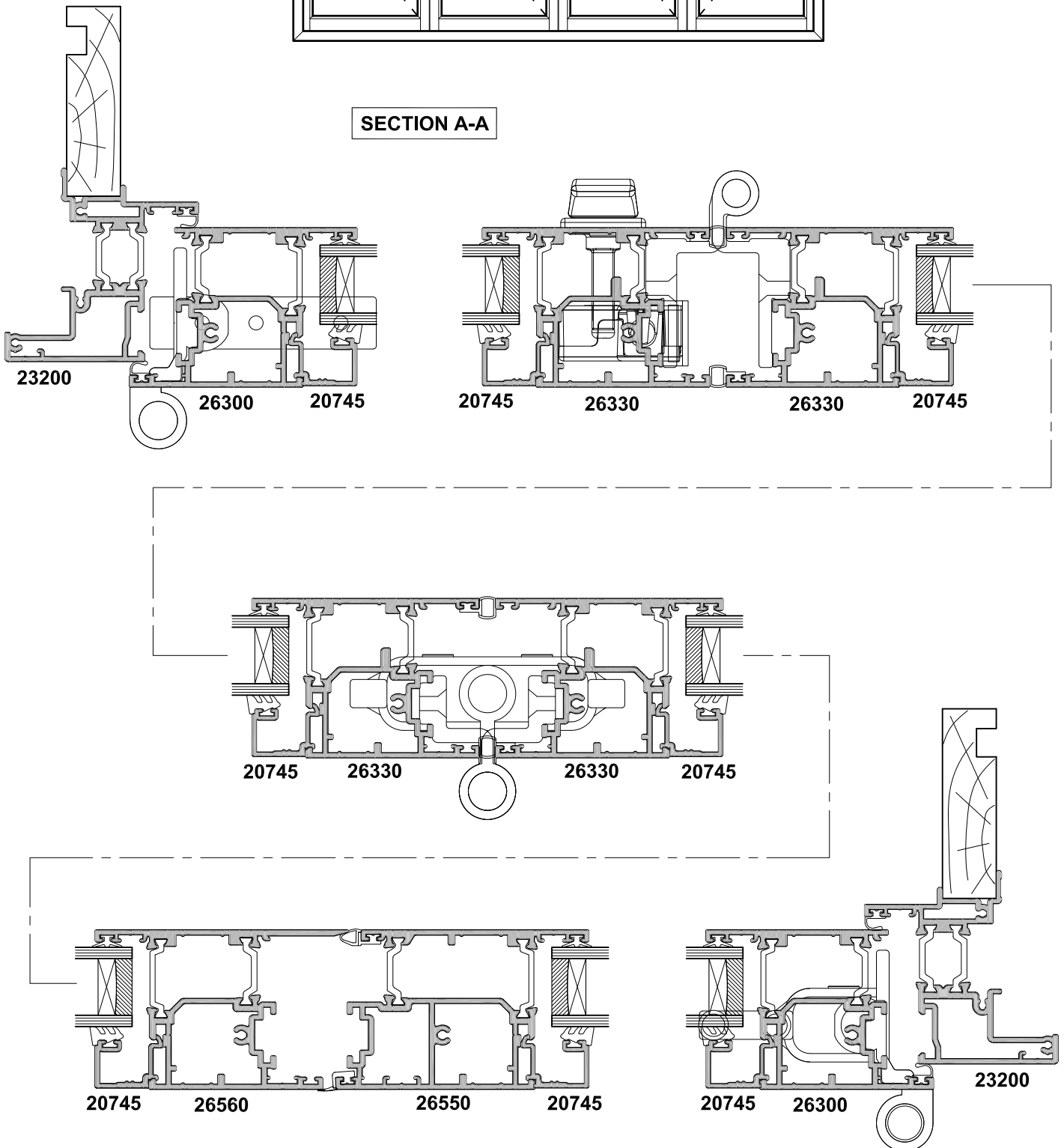


**SECTION A-A**

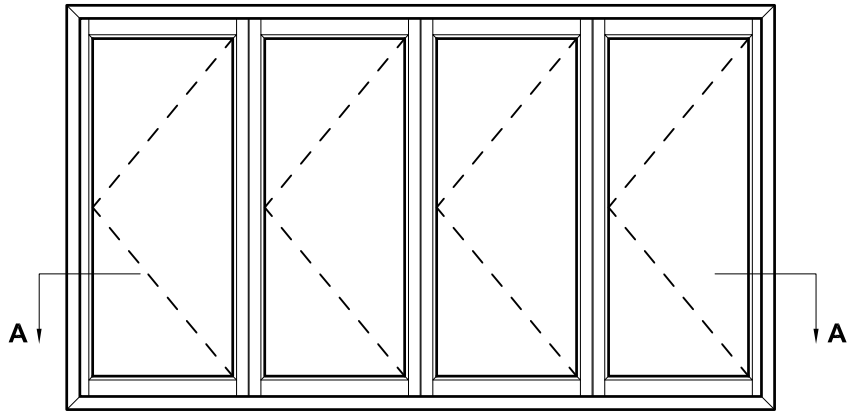




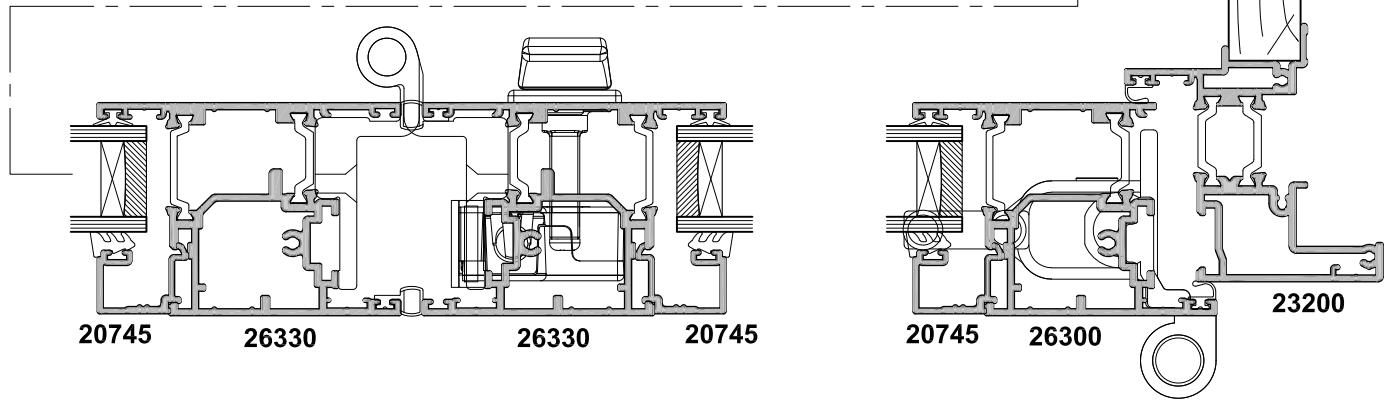
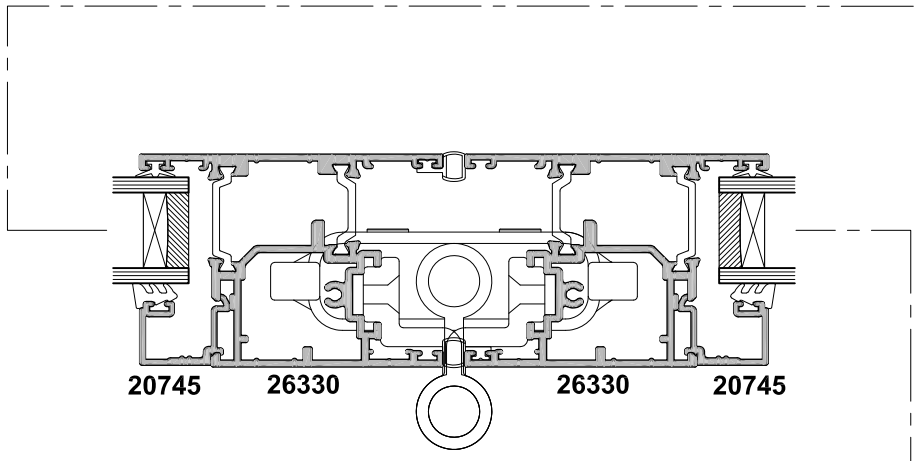
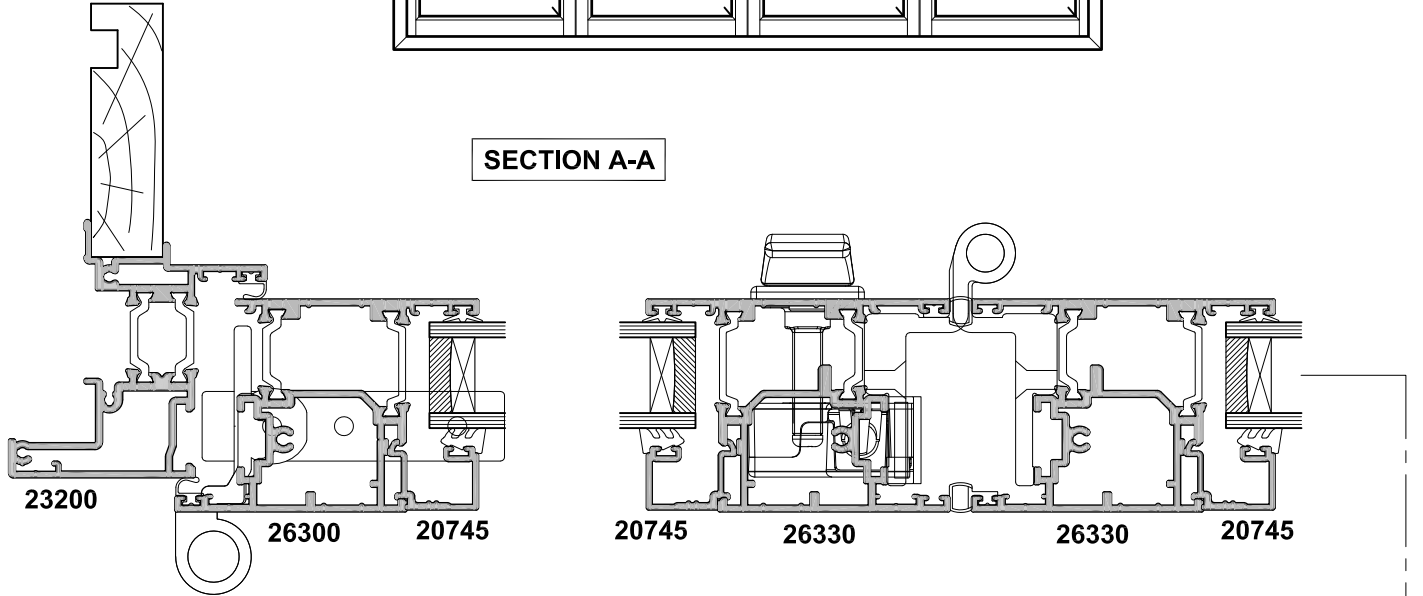
**SECTION A-A**

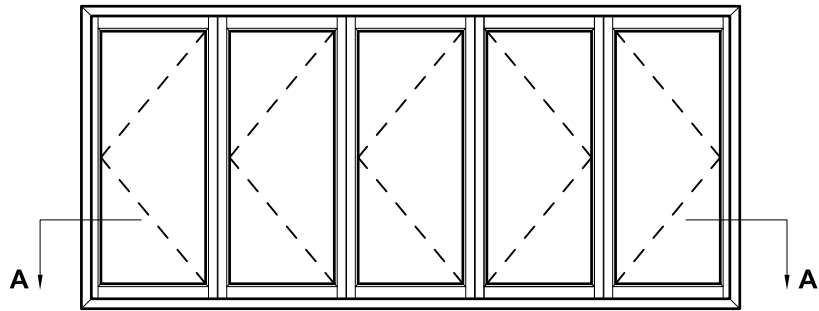




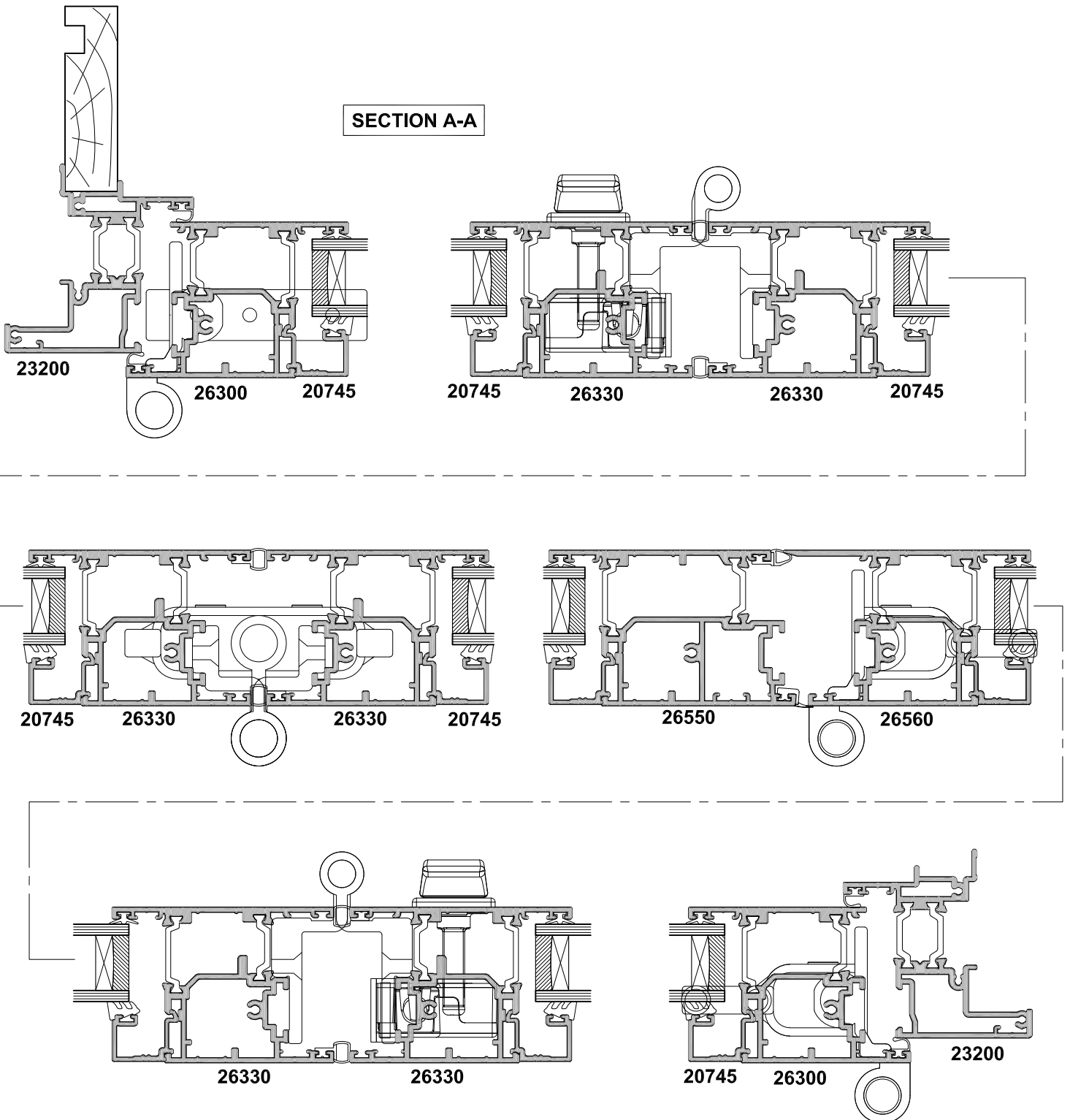


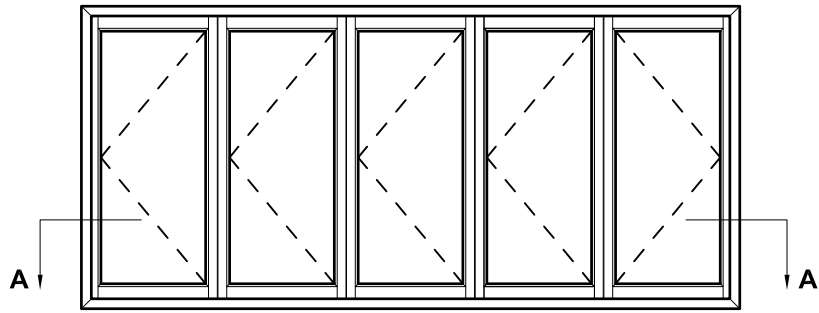
**SECTION A-A**



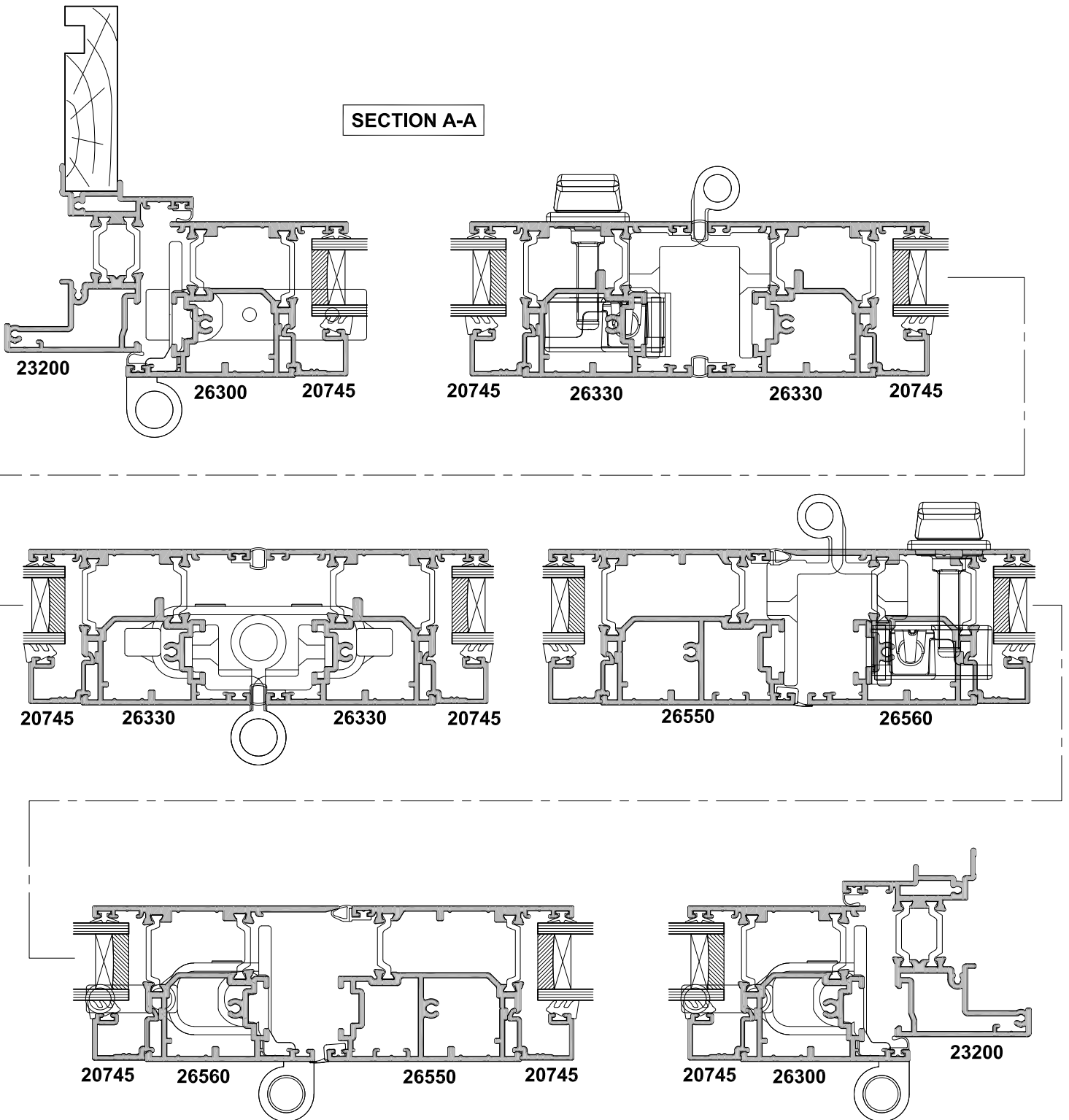


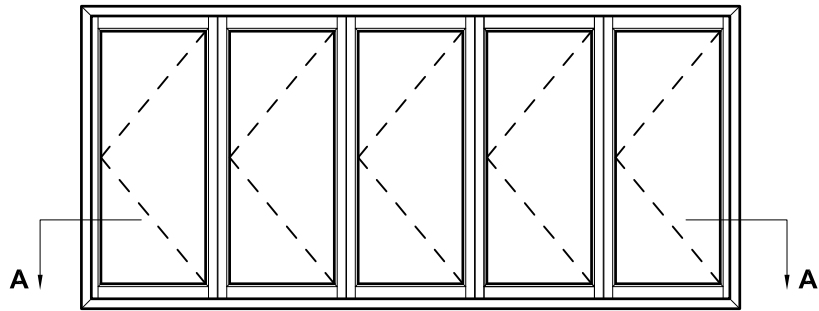
**SECTION A-A**



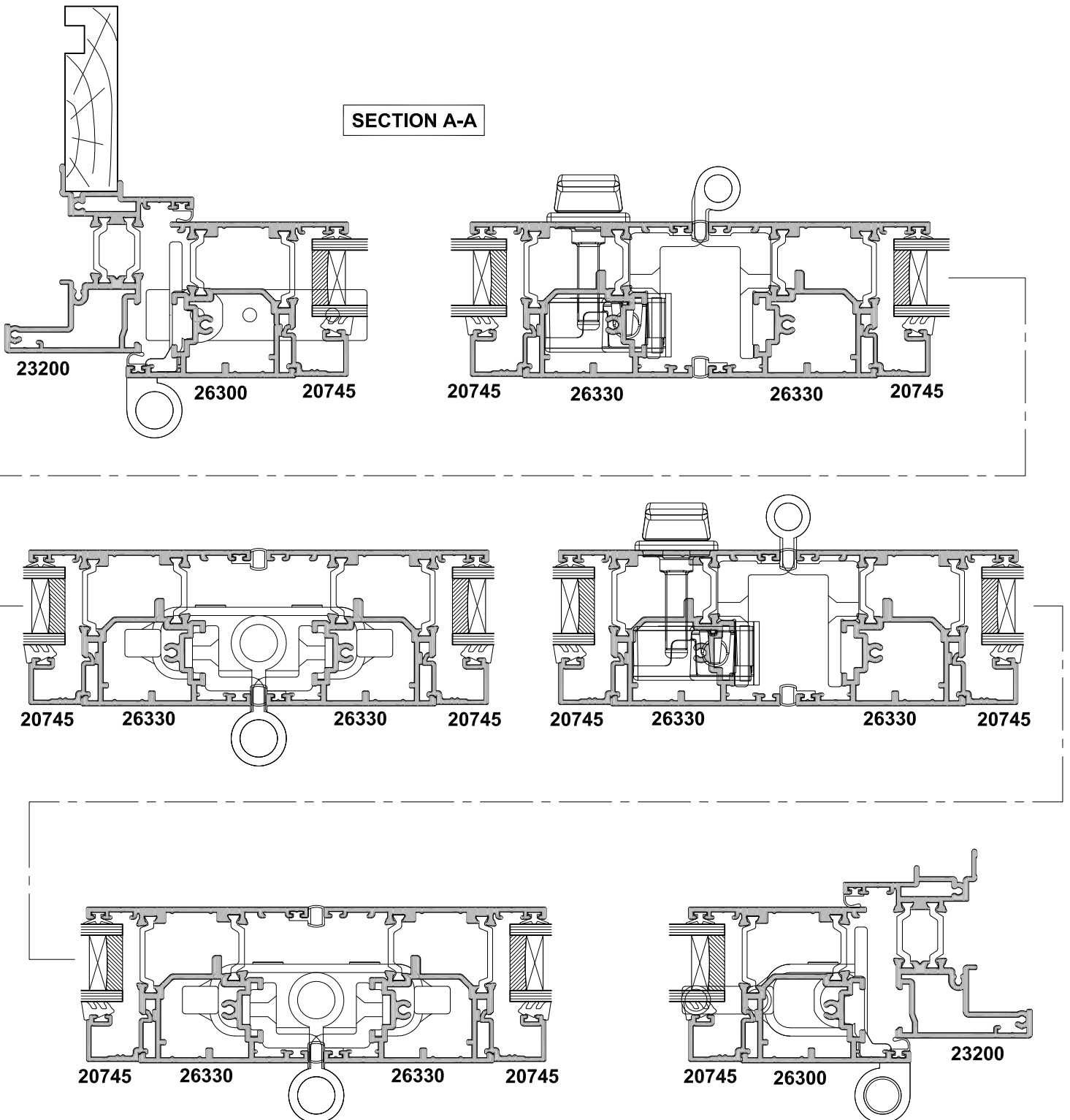


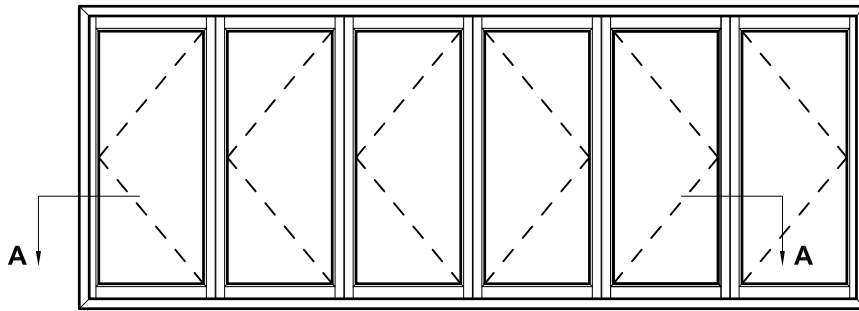
**SECTION A-A**



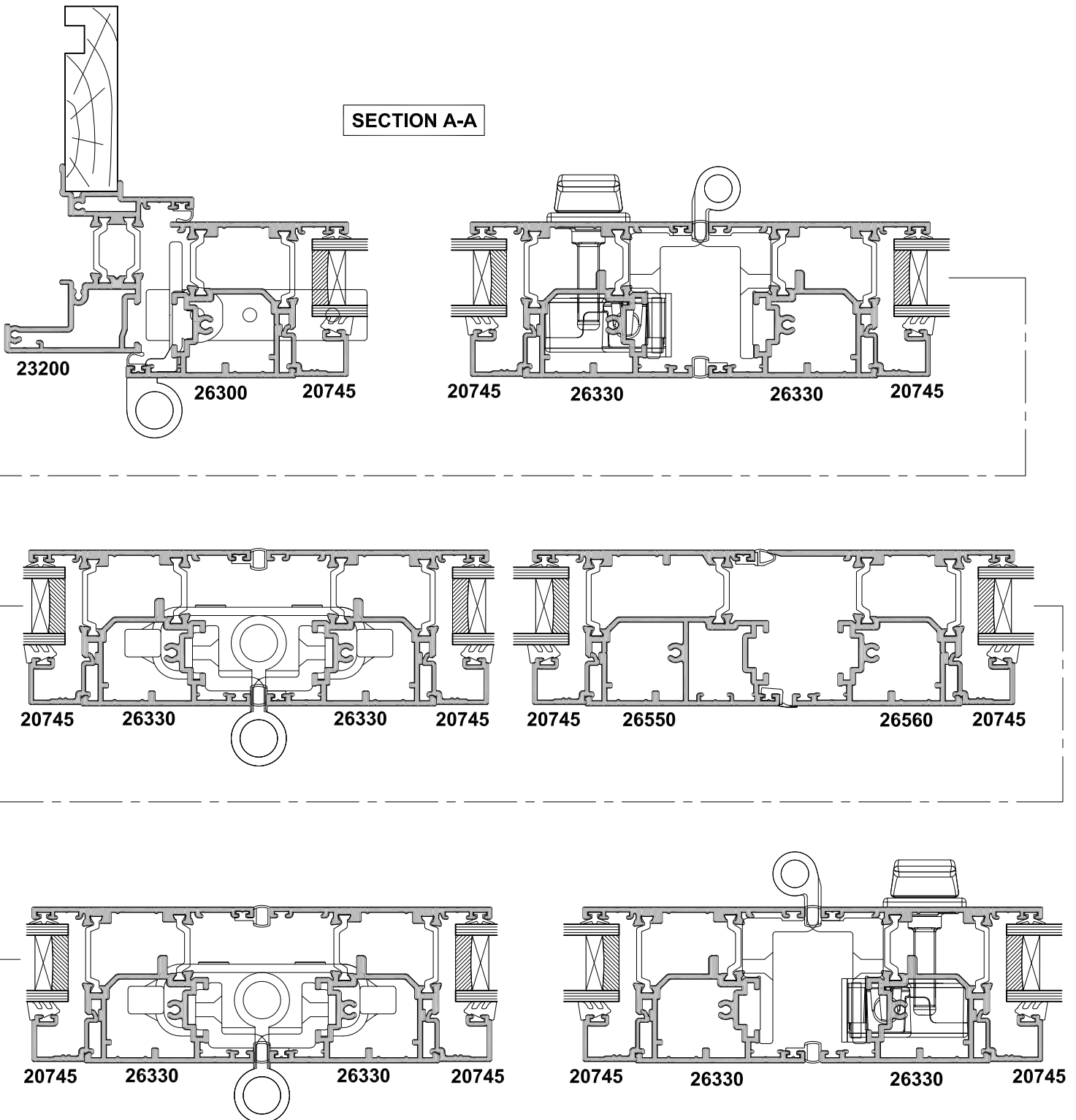


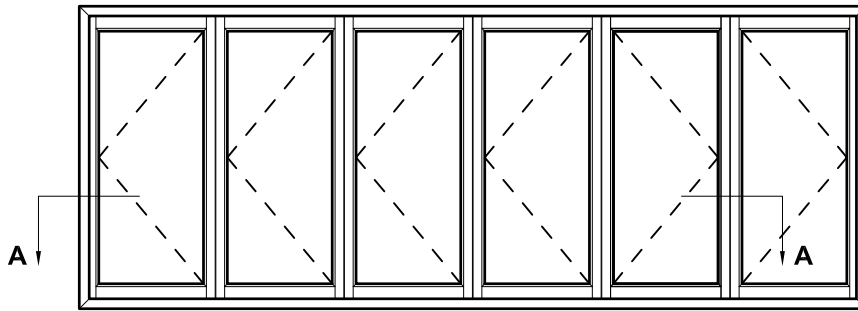
SECTION A-A



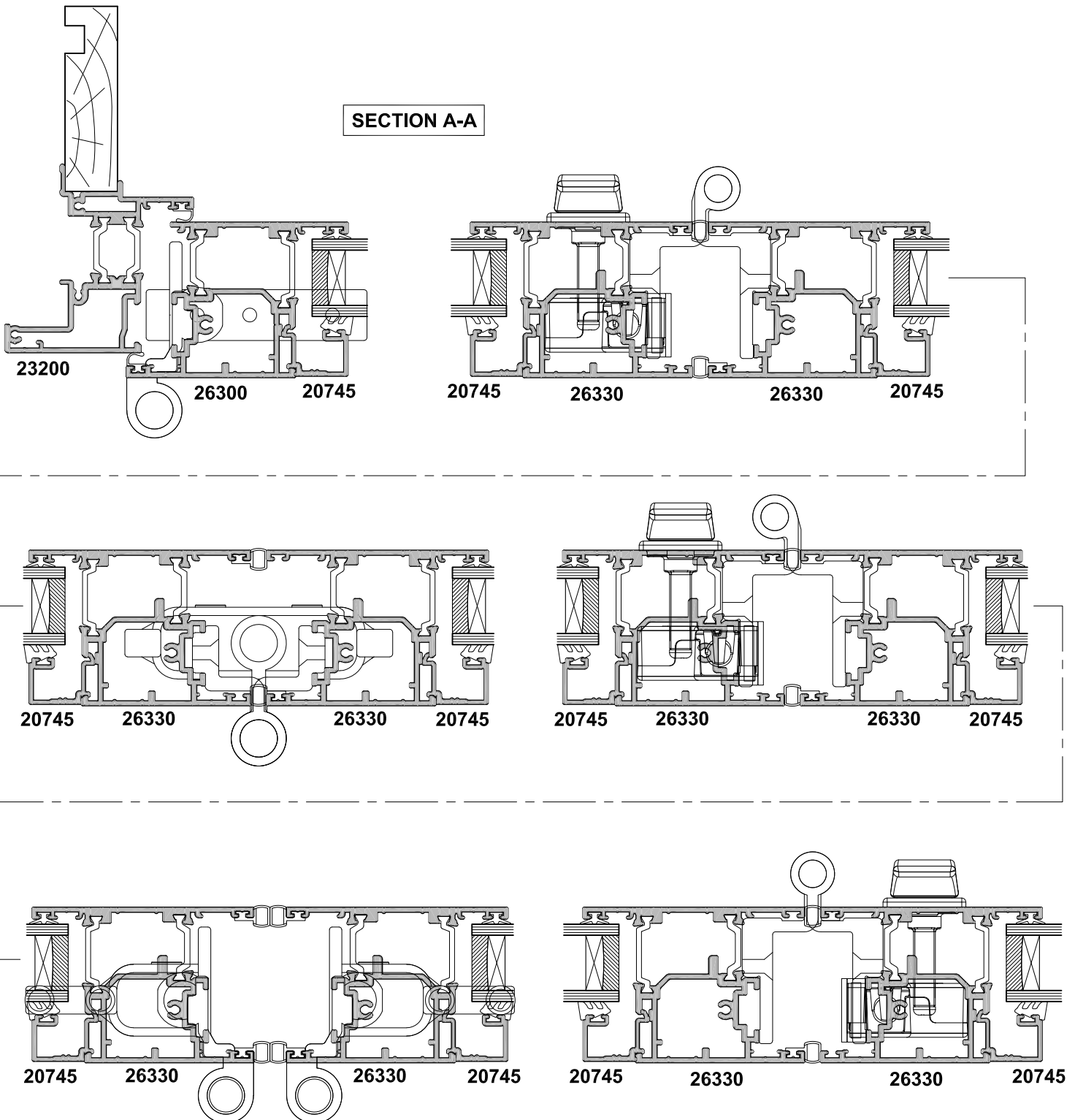


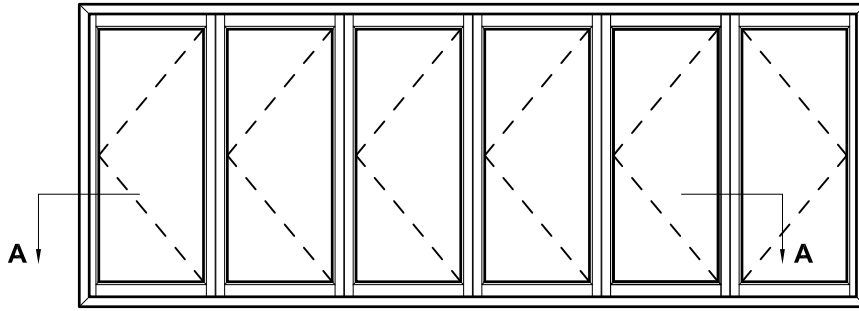
**SECTION A-A**



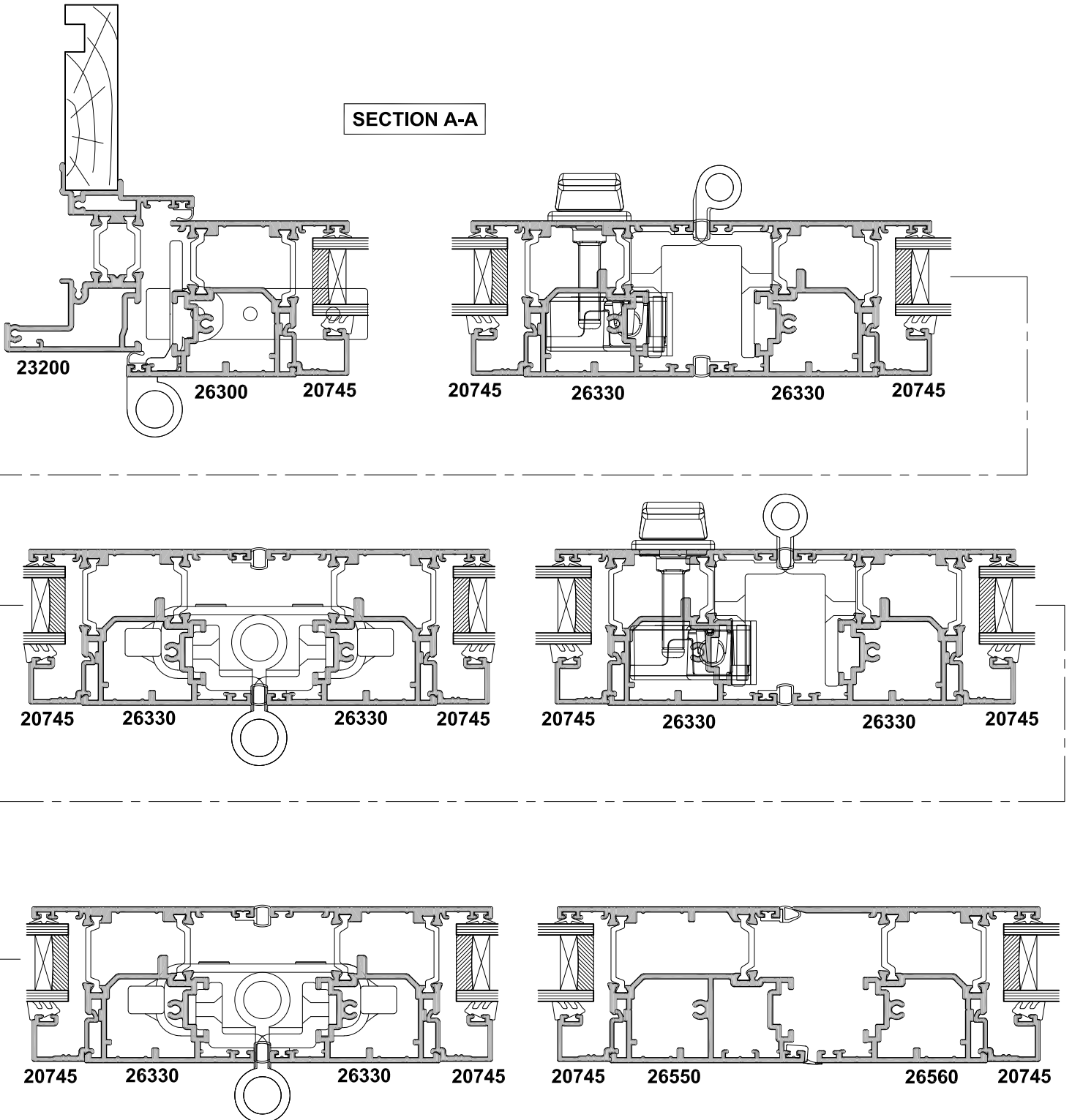


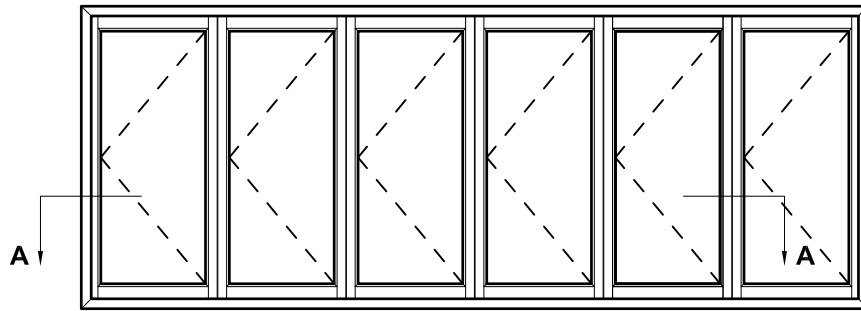
**SECTION A-A**





**SECTION A-A**





**SECTION A-A**

