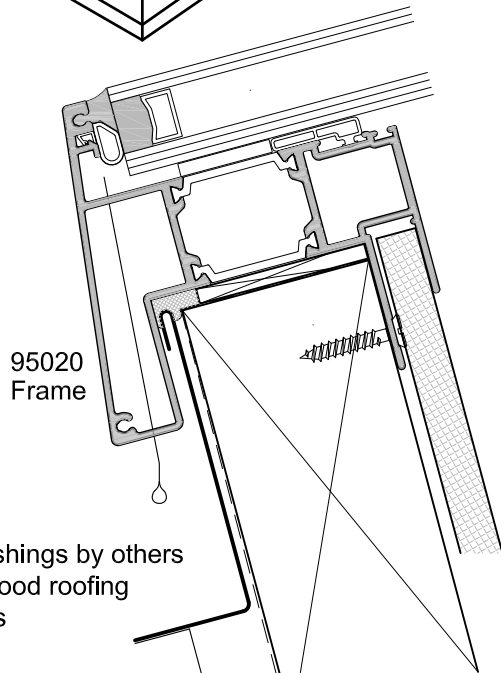
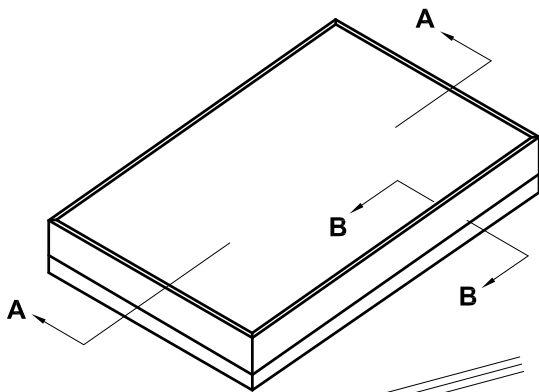


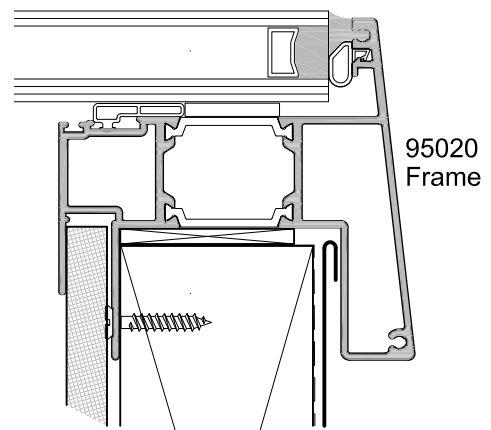
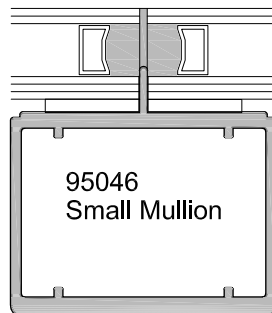
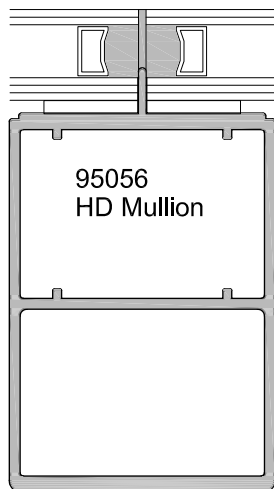
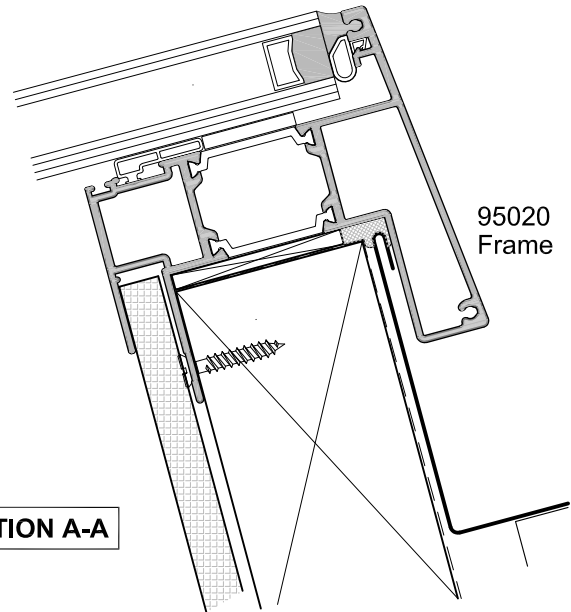
# FIXED SKYLIGHT WITH THERMAL HEART

## CROSS SECTION

Cad Ref. ACOG09-0    Scale 1:2    Date 08.06.20



**SECTION A-A**



**SECTION B-B**

**Note:**

A Minimum Pitch of 5° is required to allow water to run off the glass.  
Contact APL Technical Advisory Services for available sizes.