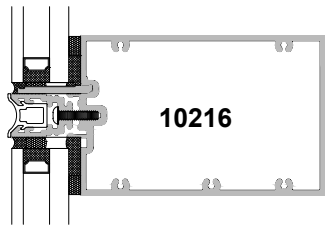
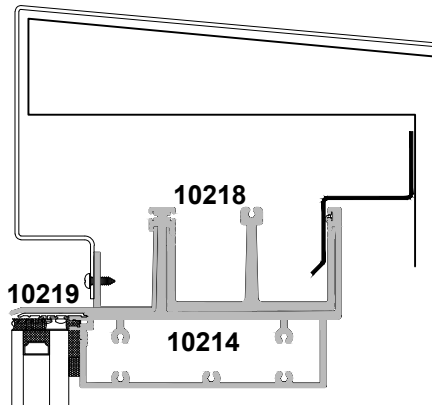


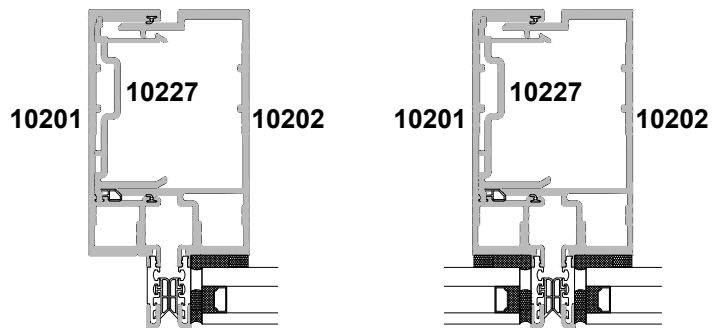
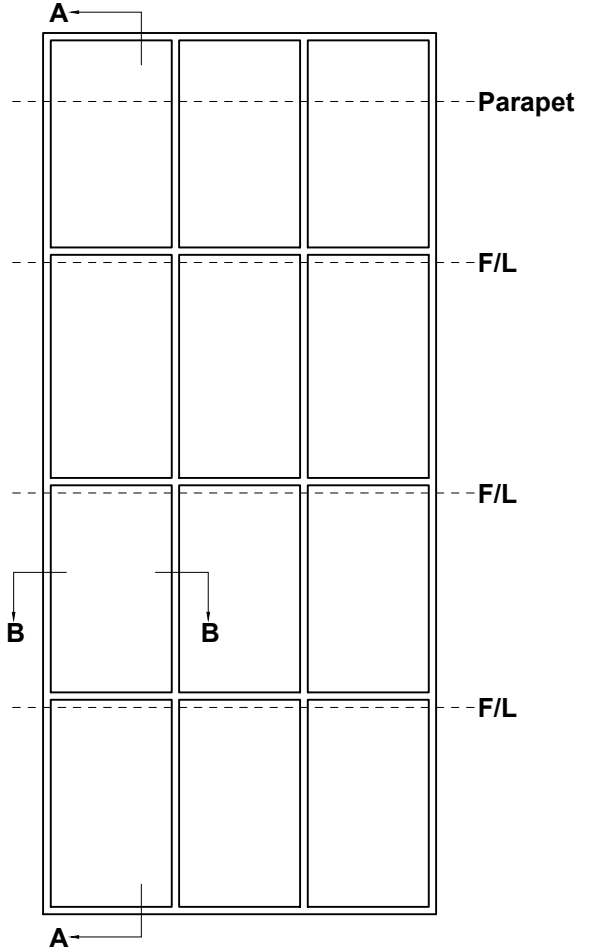
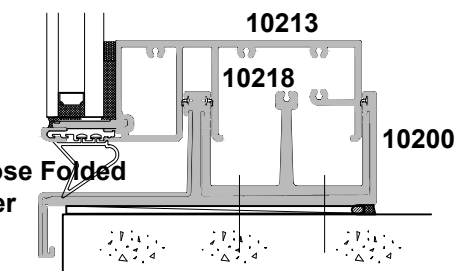
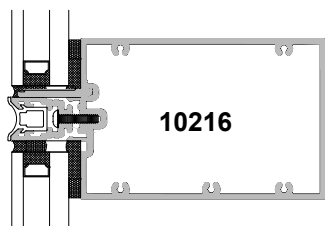
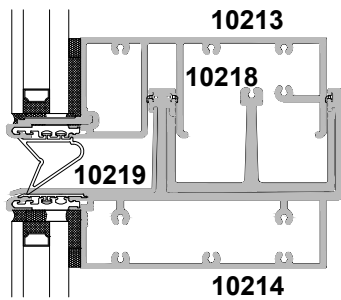
# 168MM STRUCTURAL GLAZE THERMAL CURTAIN WALL THERMALLY BROKEN

## CROSS SECTION

Cad Ref. ACSTG02-0 Scale 1:4 Date 01.04.17



**SECTION A-A**



**SECTION B-B**