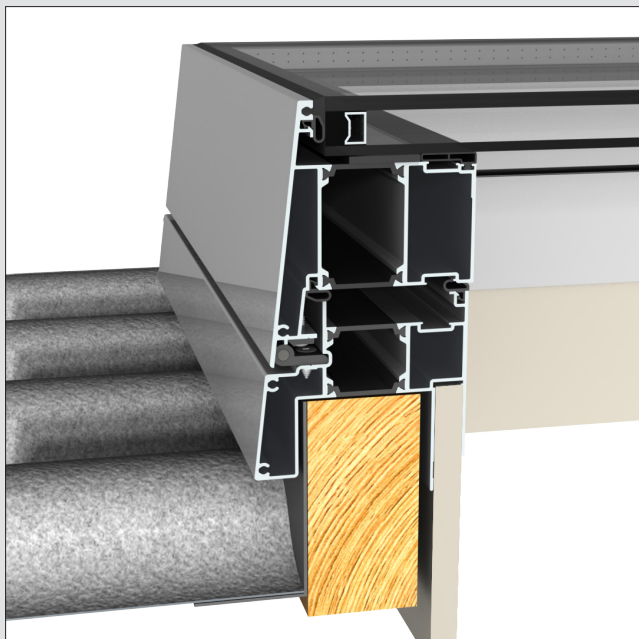


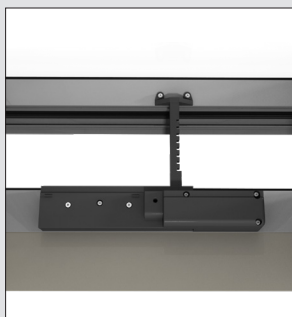
Roof Window



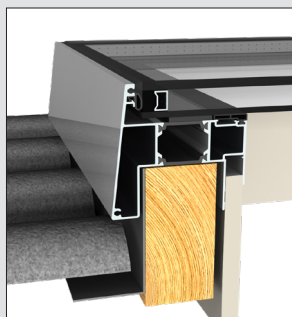
Roof window in closed position – frame and sash above.

Key Features

- Reduces condensation and retains interior heat and comfort
- Hinged on the upper side to allow opening when required
- Fixed window option available
- Available in a wide range of sizes – can be custom-made to required dimensions
- Polyamide thermal breaks in frame and sash minimise condensation in cold temperatures
- Structural glazed design means flush edges - no ponding of water allows windows to be installed to low pitches (minimum 5°)
- Manual or electric opening options
- Available in dual colour – one colour to match interior schemes and one to match the roof colour
- Fixed windows are capable of being made in large sizes through the inclusion of a mullion.



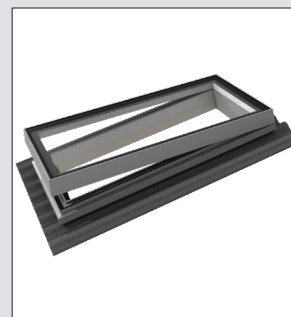
Interior view of window opening gear (electronic version).



ThermalHEART fixed roof window.



Fixed roof window exterior view.



Opening roof window exterior view.

Specifications

Dimensions

Opening roof window sizes dependent on roof pitch and operating gear capacity but will generally be less than 2.3m². Fixed roof windows will be capable of bigger sizes and especially through the addition of a mullion

Maximum Glass Thickness

30mm IGU with Argon gas fill and low-e glass

Thermal Values

U-value 4.368 R-value 0.229

Performance

Tested to Very High wind zone

Design Considerations

- Opening sash has a deep frame overlap, allowing partial opening with some rain protection
- Window operator can be manual or electronic
- A minimum pitch of 5° is required to allow water to run off the glass
- Available in dual colour – one colour to match interior schemes and one to match the roof colour.