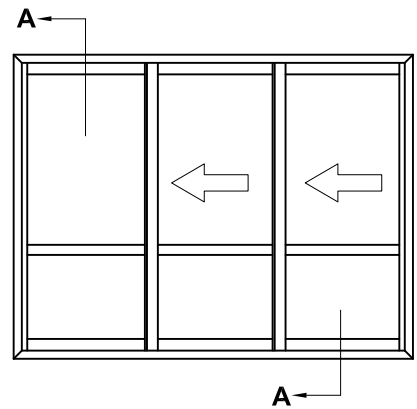
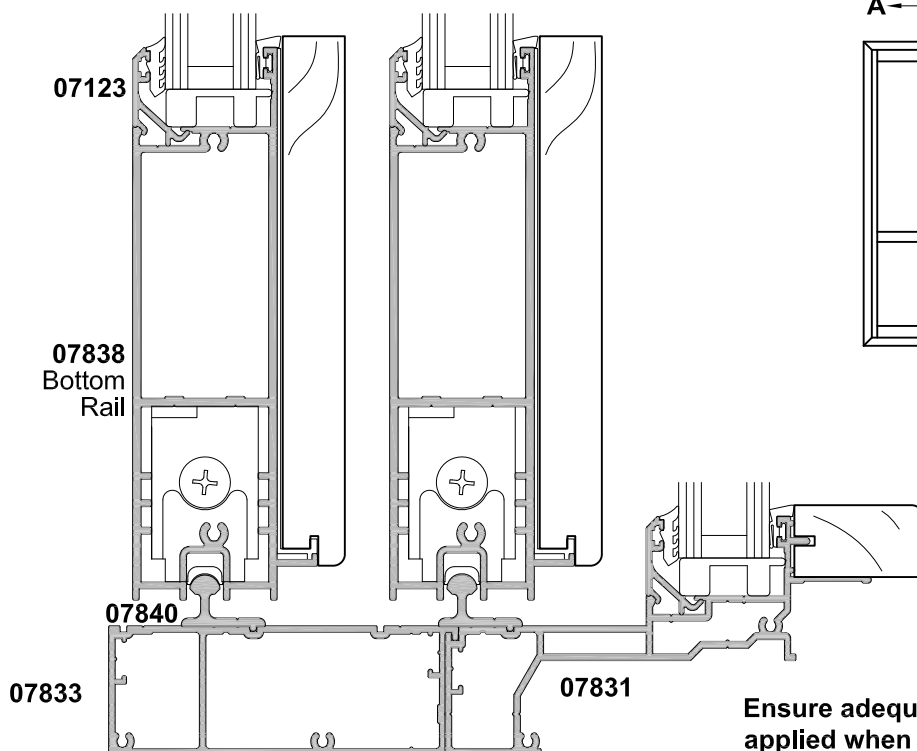
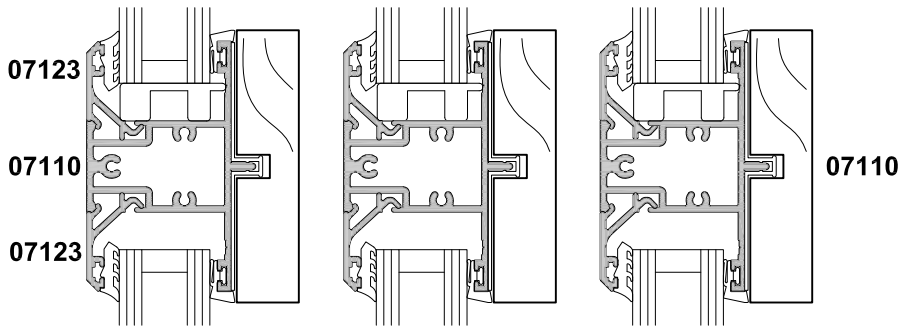
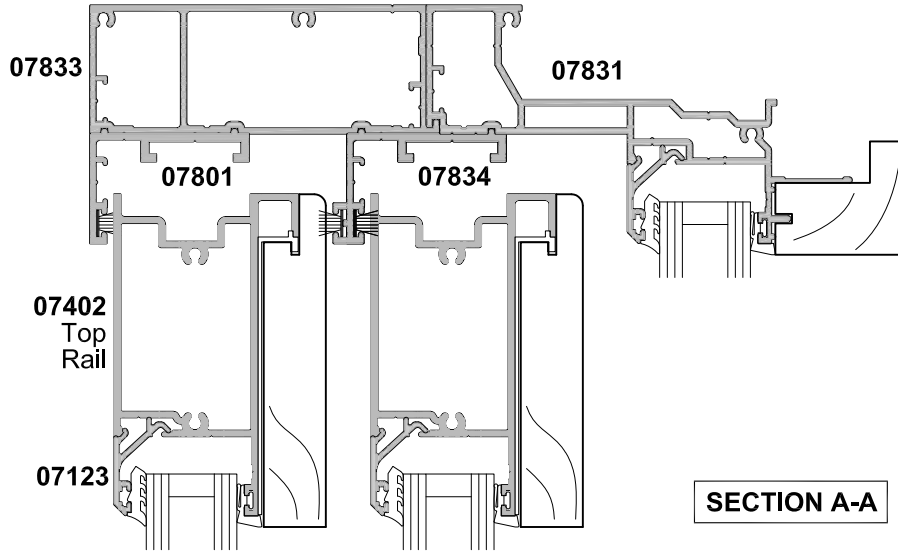




SLIDING DOOR, 3 PANEL FSS CROSS SECTION

Cad Ref. SSD04-0 Scale 1:2 Date 01.06.11



**Ensure adequate sill support is
applied when unit installed**