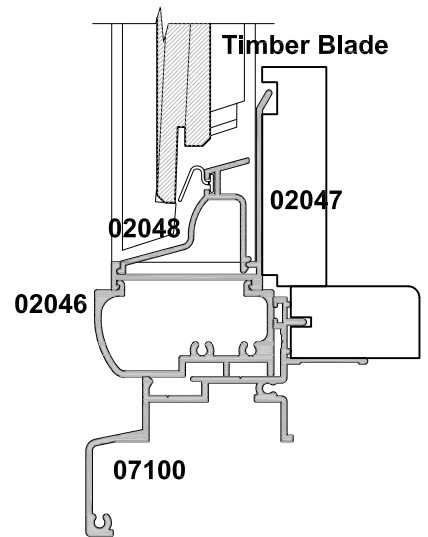
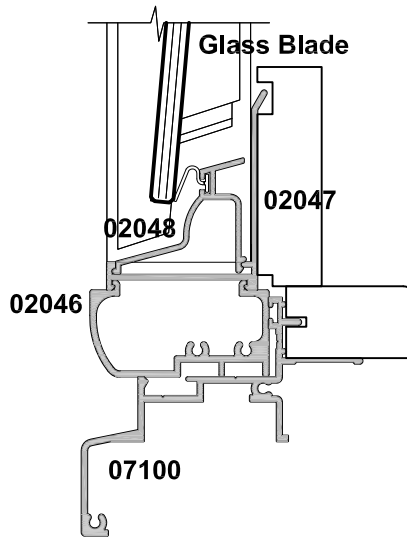
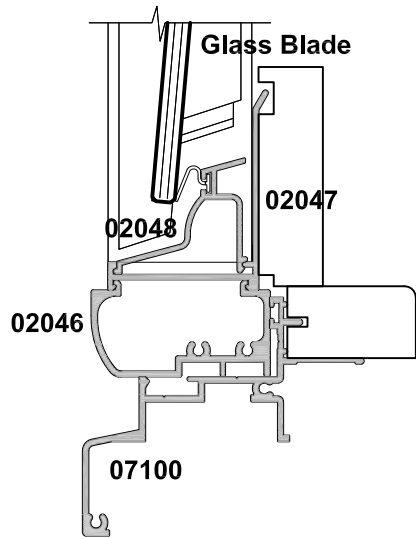
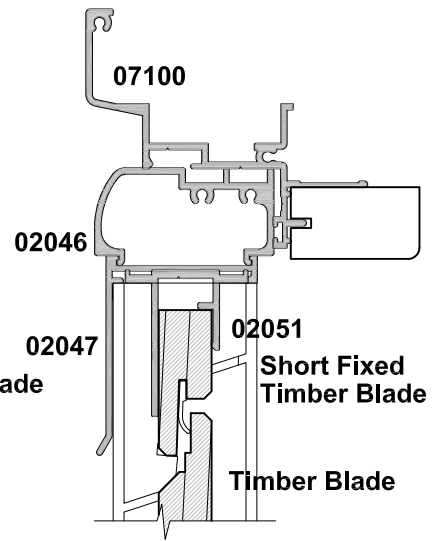
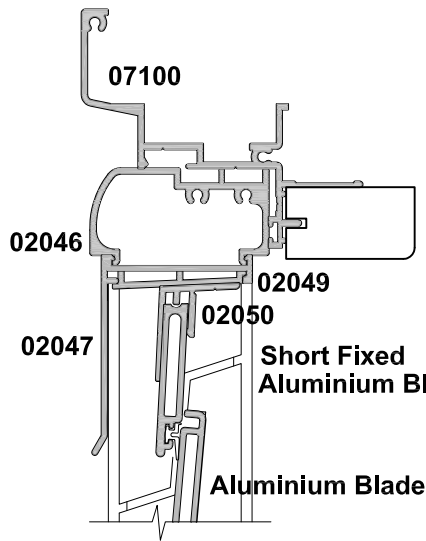
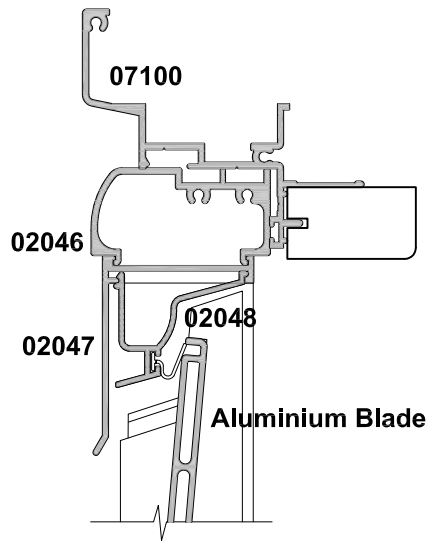




# ALTAIR LOUVRE HORIZONTAL & VERTICAL DETAILS WITH MULLIONS

Cad Ref. SAW06-0 Scale 1:2 Date 01.06.11



**GLASS, ALUMINIUM & TIMBER BLADES  
STANDARD JAMB HEIGHT**

**GLASS & ALUMINIUM BLADES  
NON-STANDARD JAMB HEIGHT**

**TIMBER BLADES  
NON-STANDARD JAMB HEIGHT**

