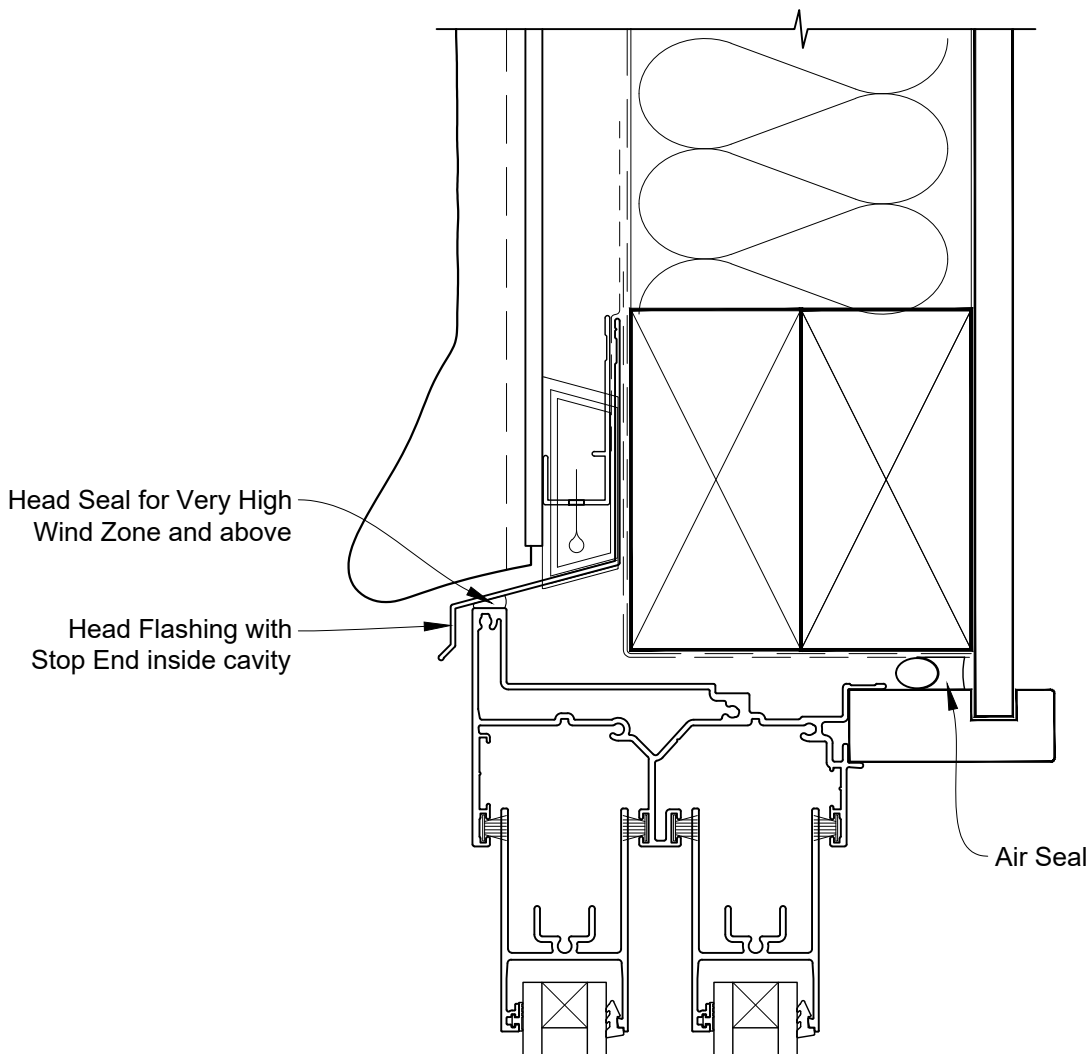


INSTALLATION DETAIL - ALTHERM RESIDENTIAL MULTISLIDER DOOR ON STUCCO CAVITY CONSTRUCTION

Date: 01.04.19

Scale: 1:2

CAD Ref.: ARTWST-CSH

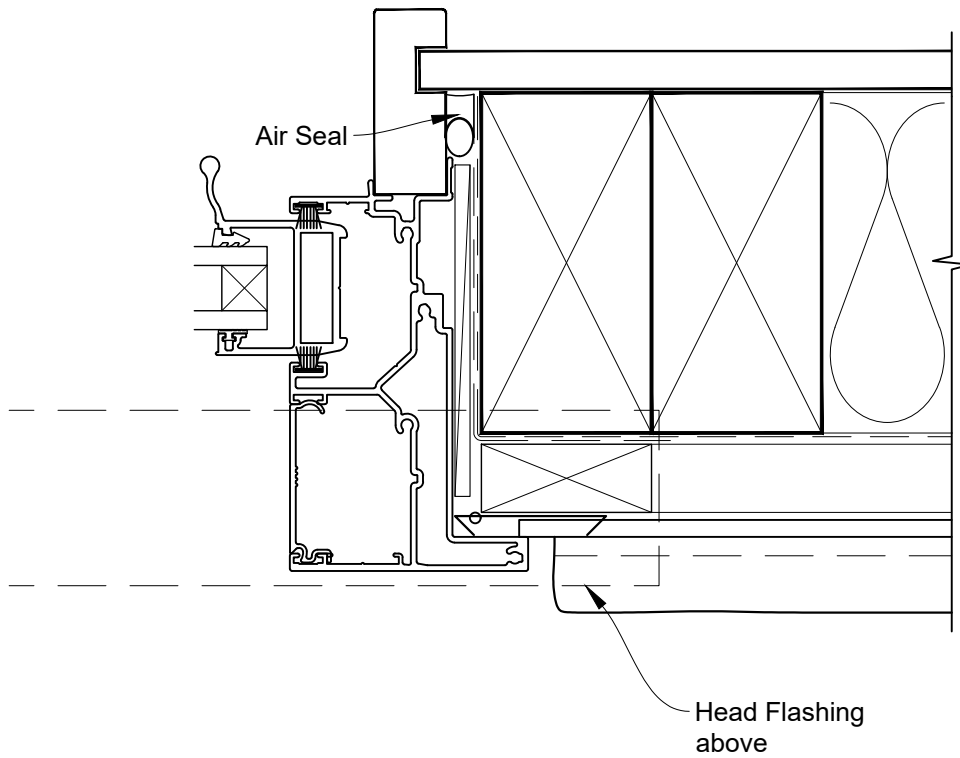


**INSTALLATION DETAIL - ALTHERM RESIDENTIAL
MULTISLIDER DOOR ON STUCCO
CAVITY CONSTRUCTION**

Date: 01.04.19

Scale: 1:2

CAD Ref.: ARTWST-CSJ



**INSTALLATION DETAIL - ALTHERM RESIDENTIAL
MULTISLIDER DOOR ON STUCCO
CAVITY CONSTRUCTION**

Date: 01.04.19

Scale: 1:2

CAD Ref.: ARTWST-CSS

