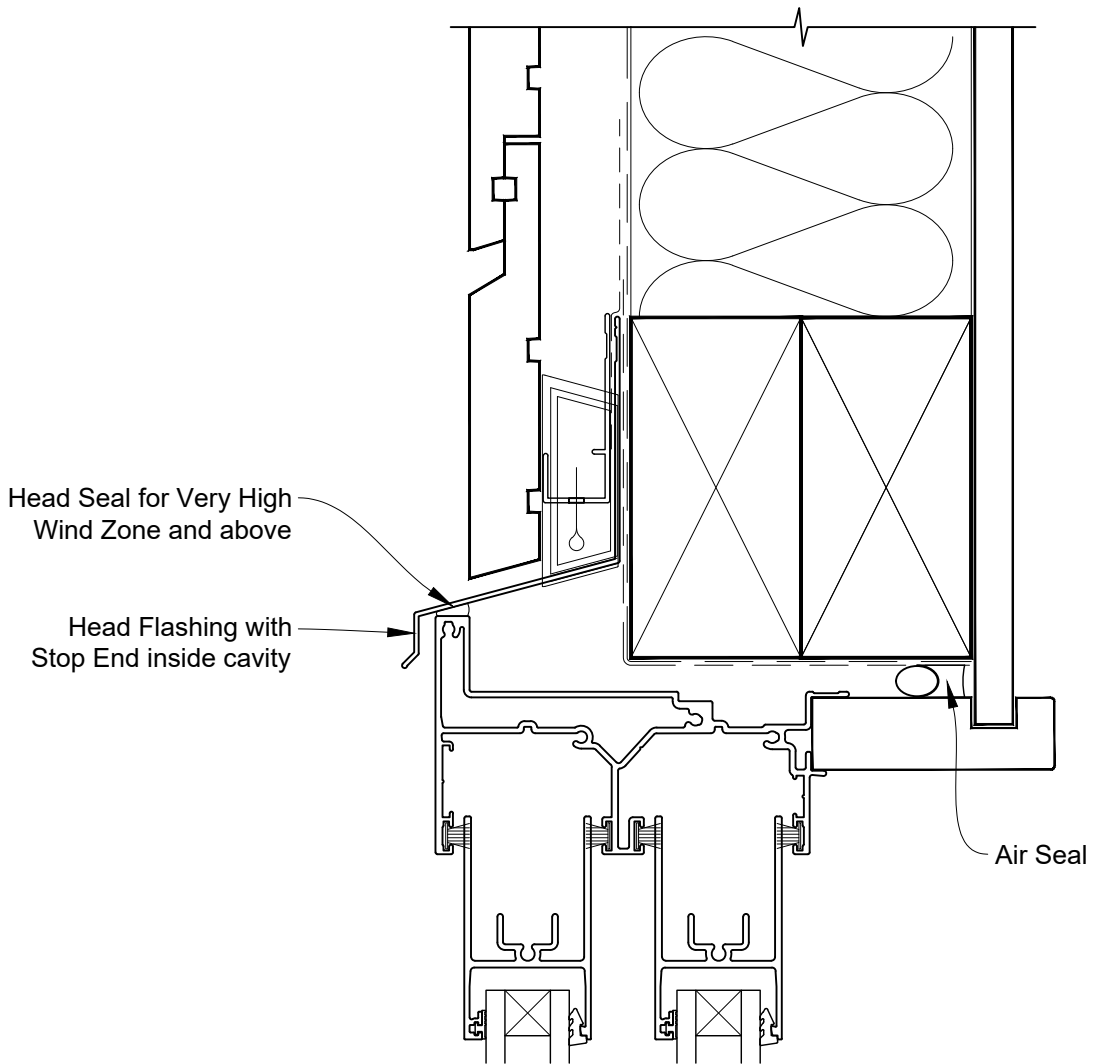


**INSTALLATION DETAIL - ALTHERM RESIDENTIAL  
TWIN SLIDER WINDOW ON RUSTICATED  
WEATHERBOARD - CAVITY CONSTRUCTION**

Date: 01.04.19

Scale: 1:2

CAD Ref.: ARTWRW-CSH

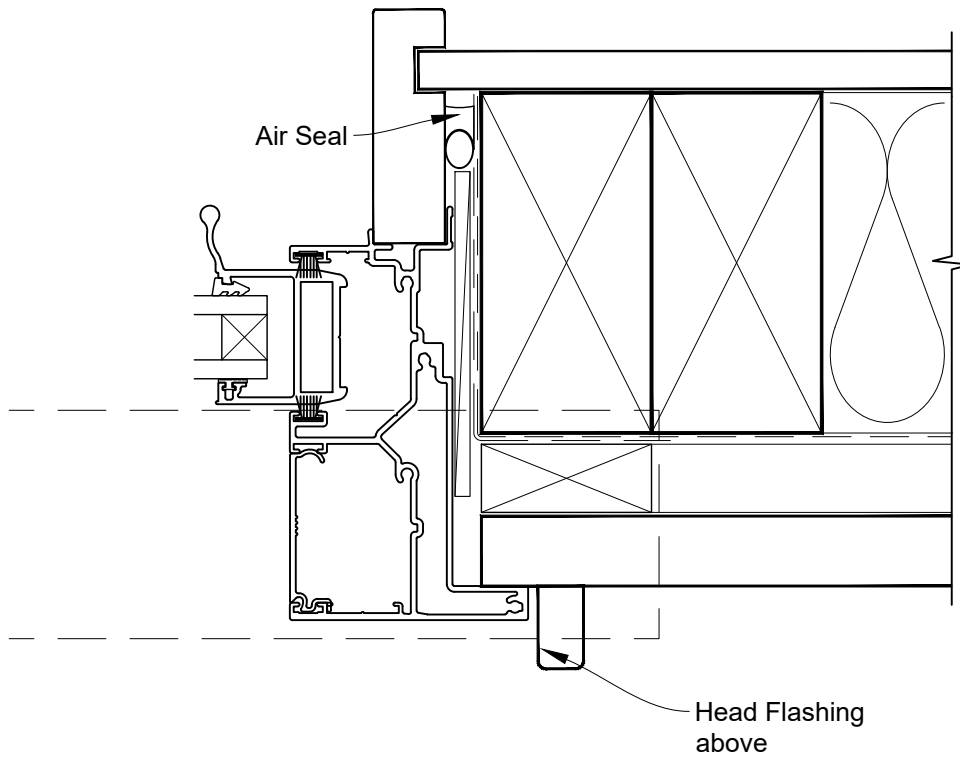


**INSTALLATION DETAIL - ALTHERM RESIDENTIAL  
TWIN SLIDER WINDOW ON RUSTICATED  
WEATHERBOARD - CAVITY CONSTRUCTION**

Date: 01.04.19

Scale: 1:2

CAD Ref.: ARTWRW-CSJ



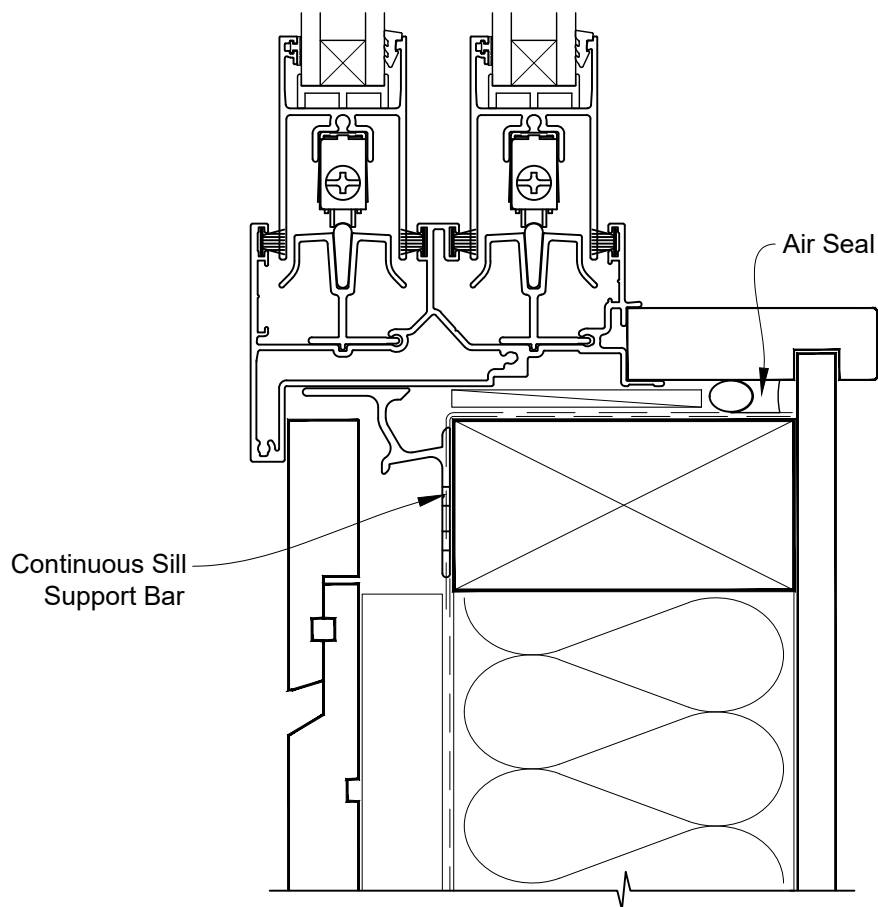


# INSTALLATION DETAIL - ALTHERM RESIDENTIAL TWIN SLIDER WINDOW ON RUSTICATED WEATHERBOARD - CAVITY CONSTRUCTION

Date: 01.04.19

Scale: 1:2

CAD Ref.: ARTWRW-CSS

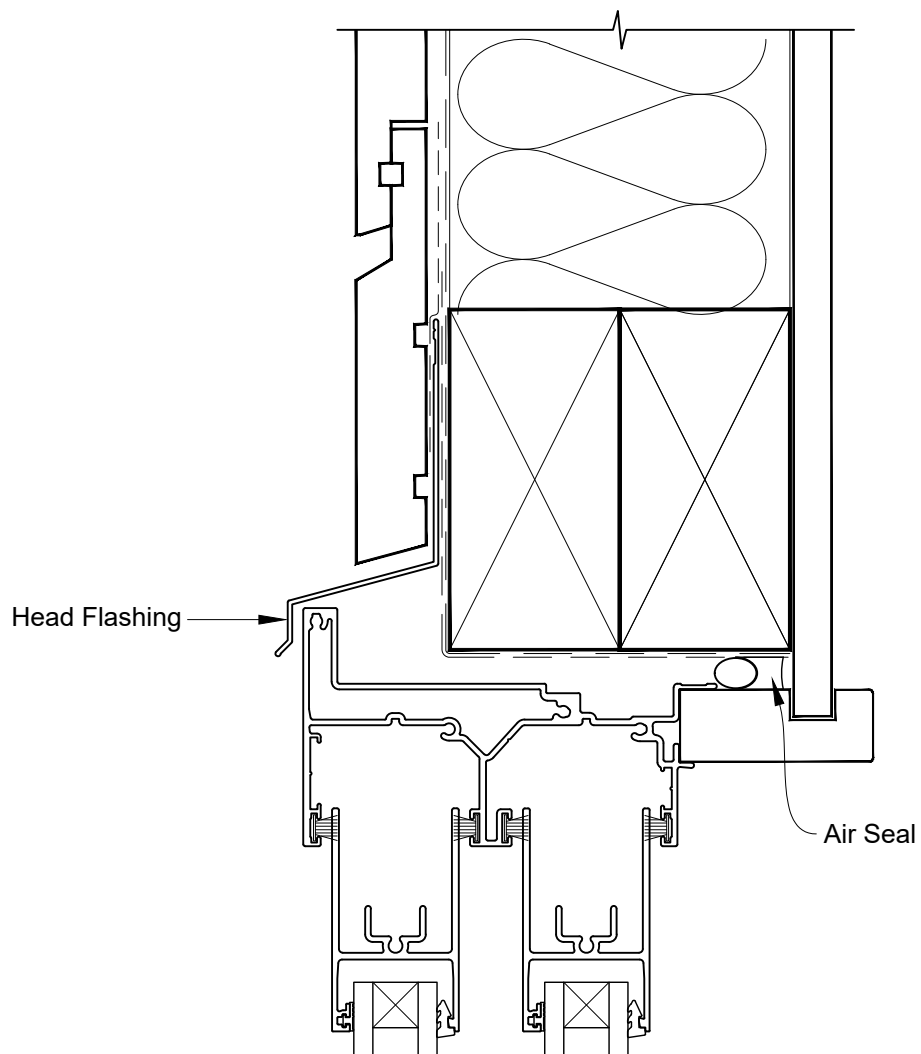


**INSTALLATION DETAIL - ALTHERM RESIDENTIAL  
TWIN SLIDER WINDOW ON RUSTICATED  
WEATHERBOARD - DIRECT FIXED CONSTRUCTION**

Date: 01.04.19

Scale: 1:2

CAD Ref.: ARTWRW-DSH



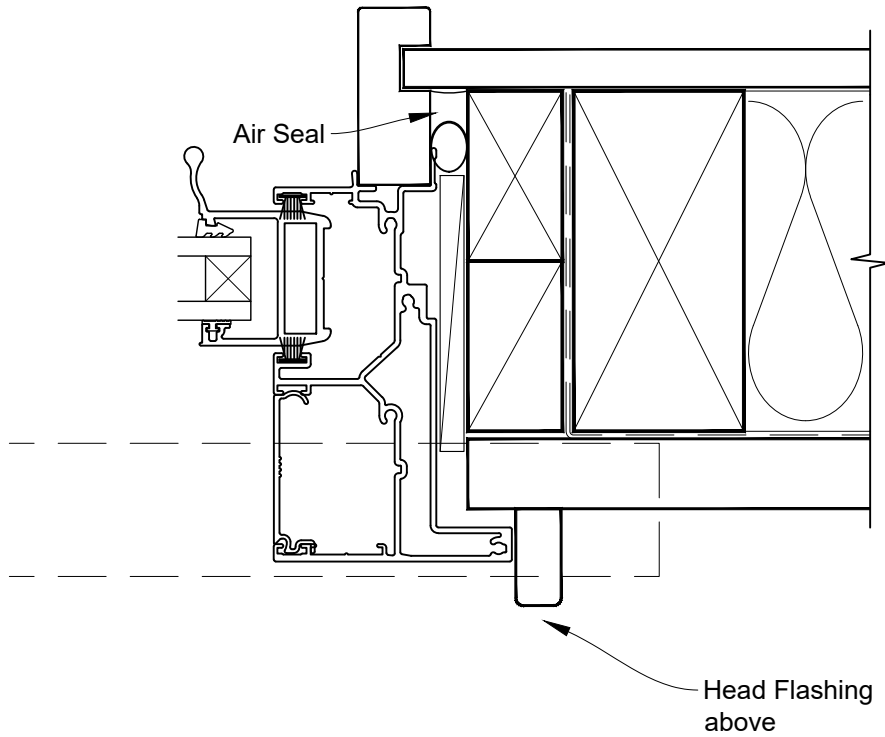


**INSTALLATION DETAIL - ALTherm RESIDENTIAL  
TWIN SLIDER WINDOW ON RUSTICATED  
WEATHERBOARD - DIRECT FIXED CONSTRUCTION**

Date: 01.04.19

Scale: 1:2

CAD Ref.: ARTWRW-DSJ



**INSTALLATION DETAIL - ALTHERM RESIDENTIAL  
TWIN SLIDER WINDOW ON RUSTICATED  
WEATHERBOARD - DIRECT FIXED CONSTRUCTION**

Date: 01.04.19

Scale: 1:2

CAD Ref.: ARTWRW-DSS

