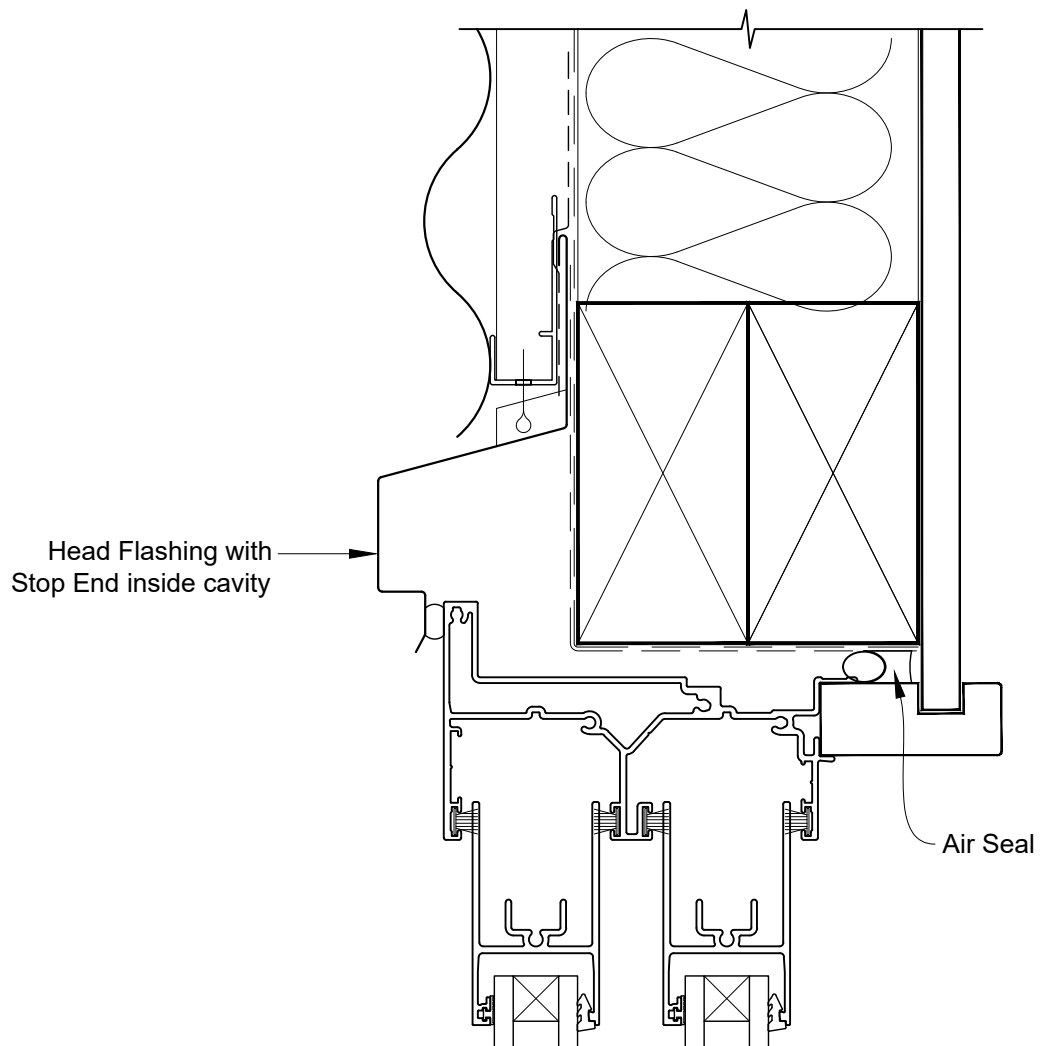


# INSTALLATION DETAIL - ALTHERM RESIDENTIAL TWIN SLIDER WINDOW ON PROFILE METAL CAVITY CONSTRUCTION

Date: 01.04.19

Scale: 1:2

CAD Ref.: ARTWPM-CSH

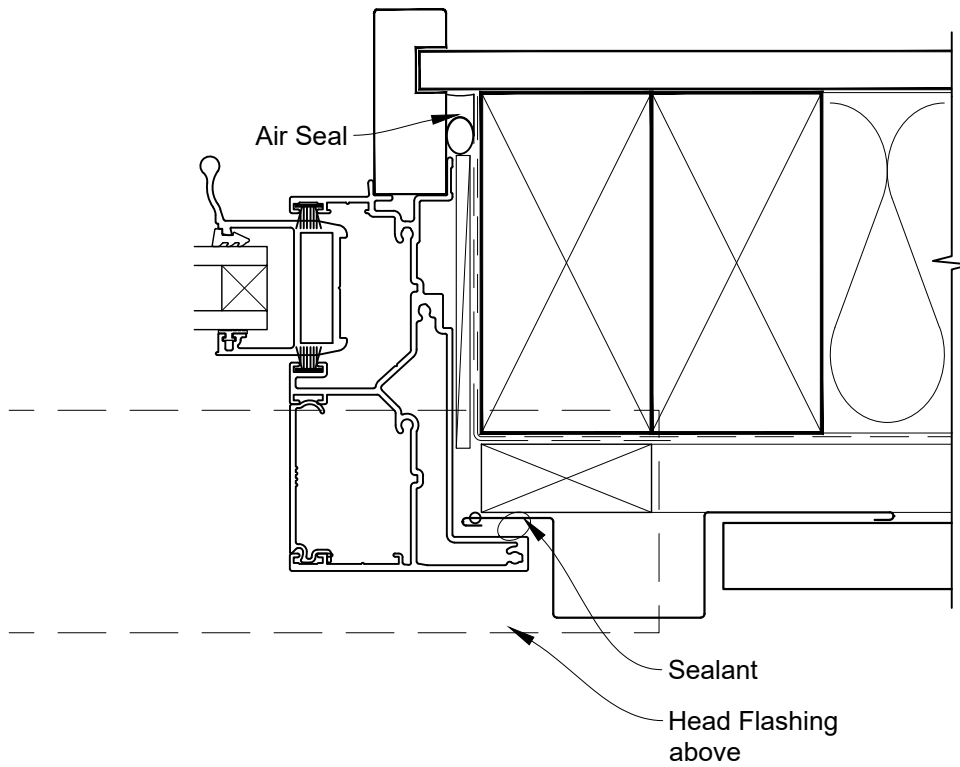


# INSTALLATION DETAIL - ALTHERM RESIDENTIAL TWIN SLIDER WINDOW ON PROFILE METAL CAVITY CONSTRUCTION

Date: 01.04.19

Scale: 1:2

CAD Ref.: ARTWPM-CSJ

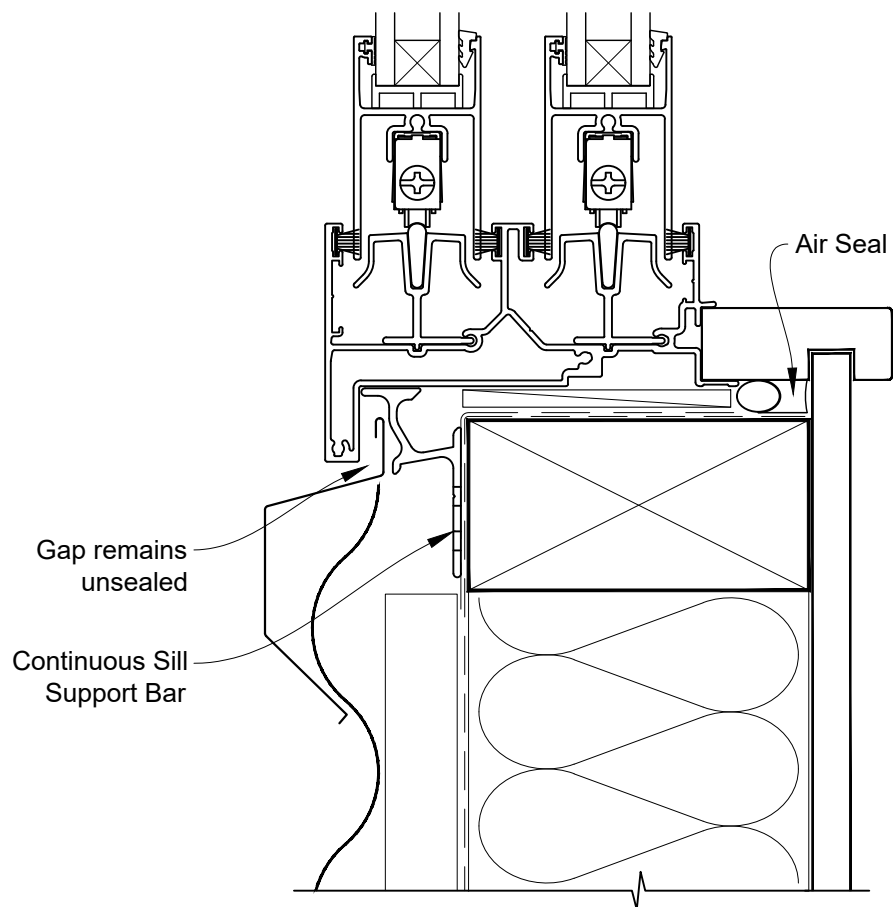


**INSTALLATION DETAIL - ALTHERM RESIDENTIAL  
TWIN SLIDER WINDOW ON PROFILE METAL  
CAVITY CONSTRUCTION**

Date: 01.04.19

Scale: 1:2

CAD Ref.: ARTWPM-CSS

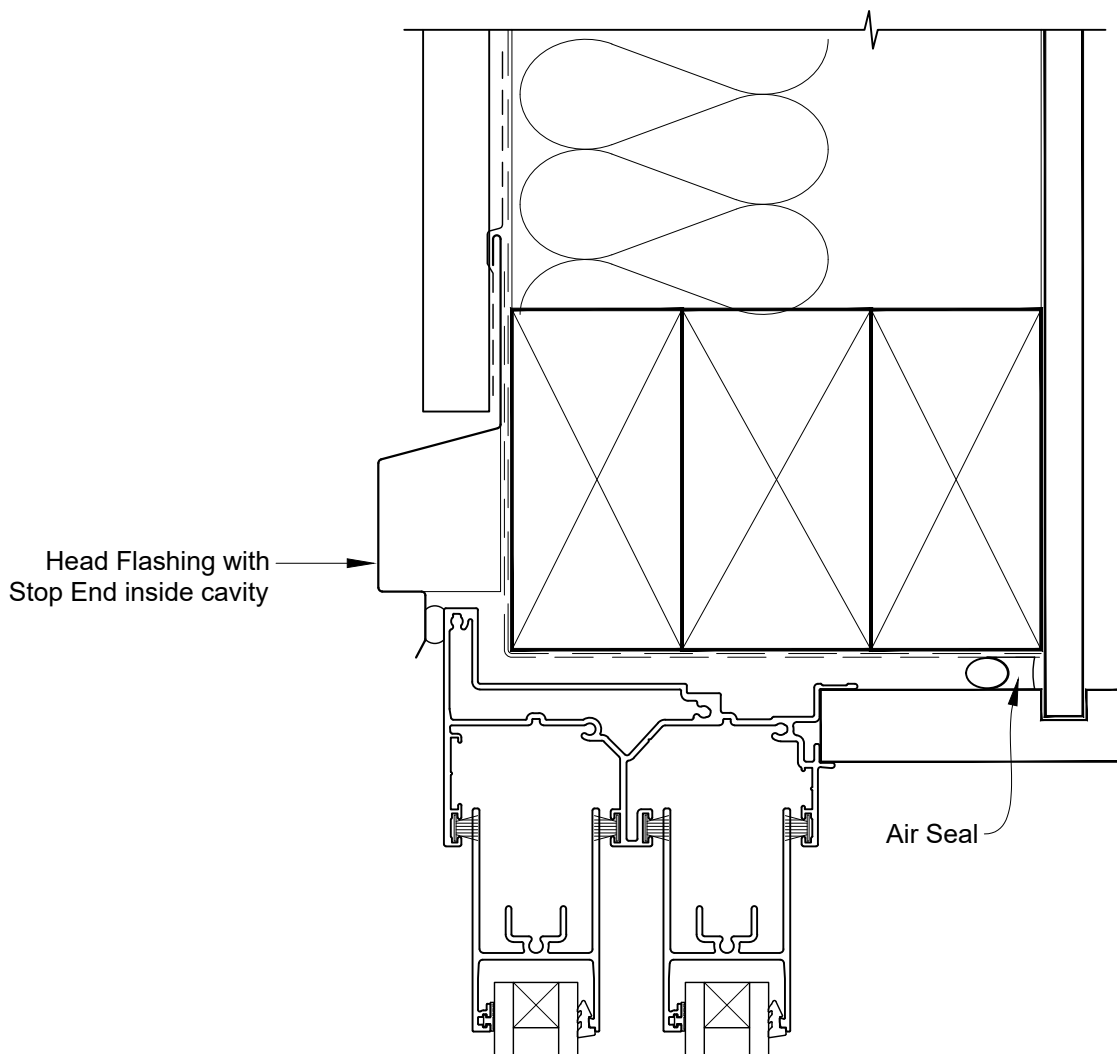


**INSTALLATION DETAIL - ALTHERM RESIDENTIAL  
TWIN SLIDER WINDOW ON PROFILE METAL  
DIRECT FIXED CONSTRUCTION**

Date: 01.04.19

Scale: 1:2

CAD Ref.: ARTWPM-DSH

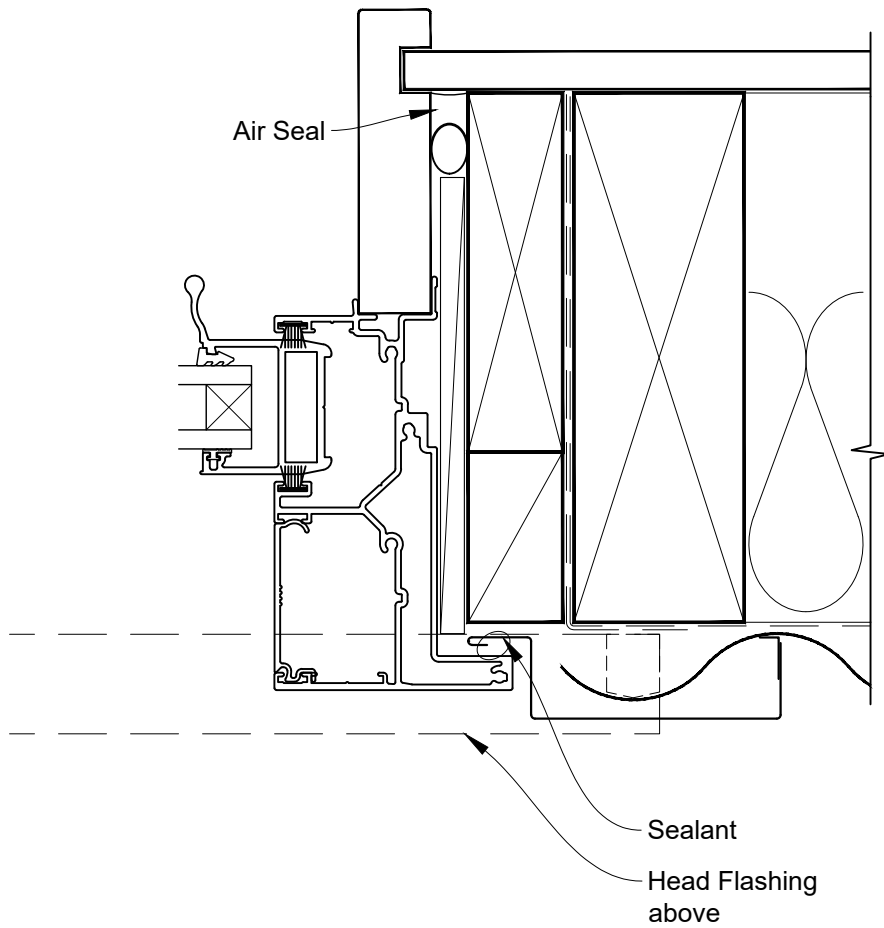


# INSTALLATION DETAIL - ALTherm RESIDENTIAL TWIN SLIDER WINDOW ON PROFILE METAL DIRECT FIXED CONSTRUCTION

Date: 01.04.19

Scale: 1:2

CAD Ref.: ARTWPM-DSJ



**INSTALLATION DETAIL - ALTherm RESIDENTIAL  
TWIN SLIDER WINDOW ON PROFILE METAL  
DIRECT FIXED CONSTRUCTION**

Date: 01.04.19

Scale: 1:2

CAD Ref.: ARTWPM-DSS

