

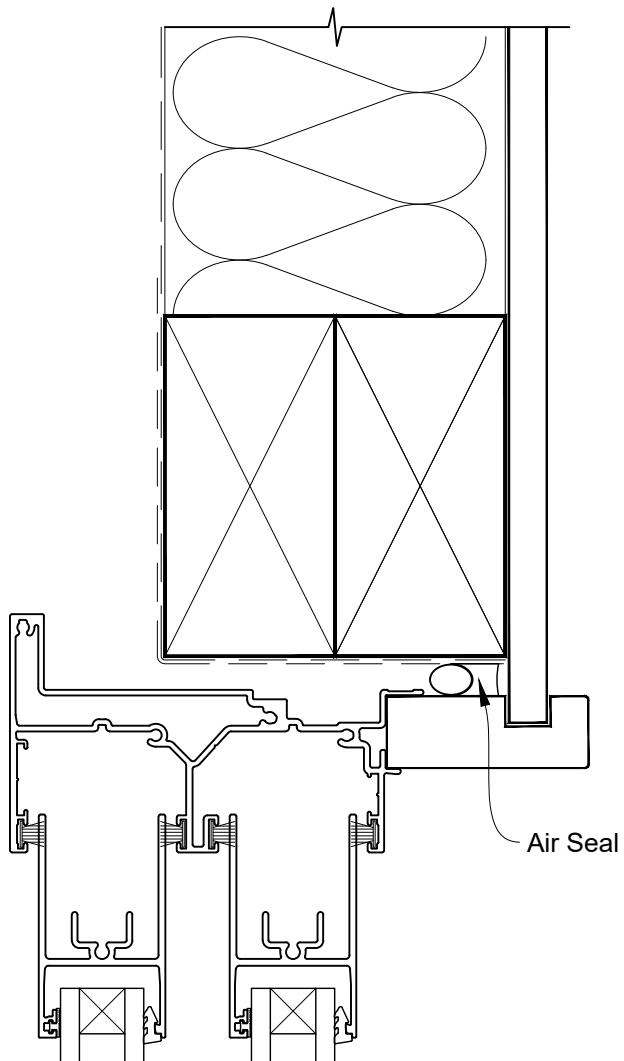


INSTALLATION DETAIL - ALTherm RESIDENTIAL TWIN SLIDER WINDOW ON NO CLADDING CAVITY CONSTRUCTION

Date: 01.04.19

Scale: 1:2

CAD Ref.: ARTWNC-CSH



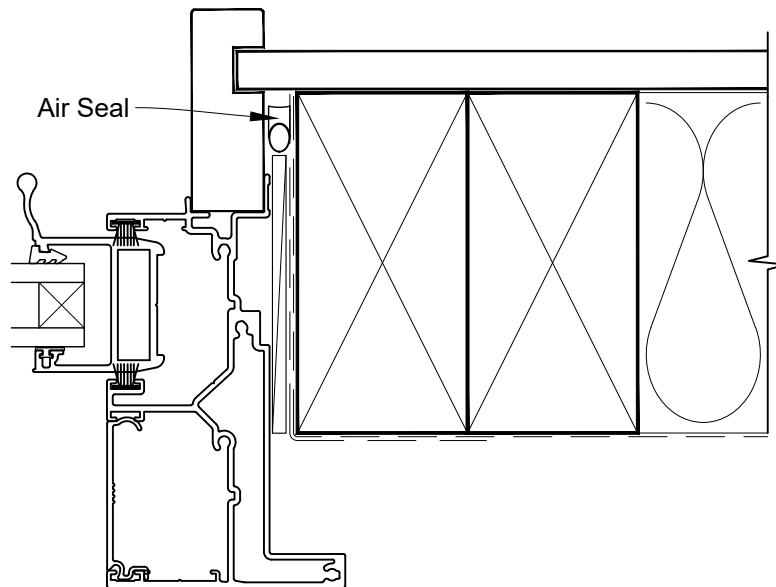


INSTALLATION DETAIL - ALTherm RESIDENTIAL TWIN SLIDER WINDOW ON NO CLADDING CAVITY CONSTRUCTION

Date: 01.04.19

Scale: 1:2

CAD Ref.: ARTWNC-CSJ



**INSTALLATION DETAIL - ALTHERM RESIDENTIAL
TWIN SLIDER WINDOW ON NO CLADDING
CAVITY CONSTRUCTION**

Date: 01.04.19

Scale: 1:2

CAD Ref.: ARTWNC-CSS

