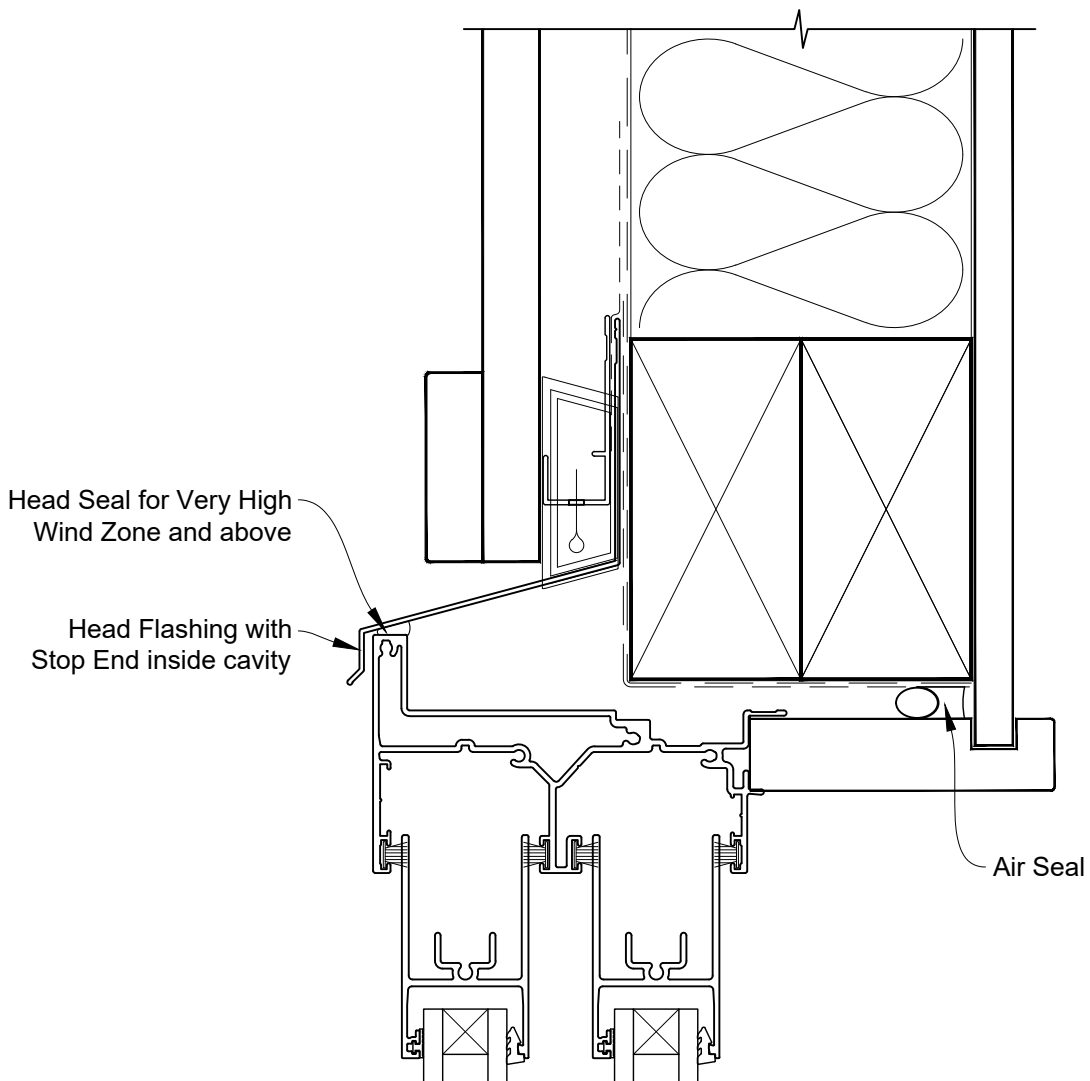


INSTALLATION DETAIL - ALTherm RESIDENTIAL TWIN SLIDER WINDOW ON BOARD & BATTEN CAVITY CONSTRUCTION

Date: 01.04.19

Scale: 1:2

CAD Ref.: ARTWBB-CSH

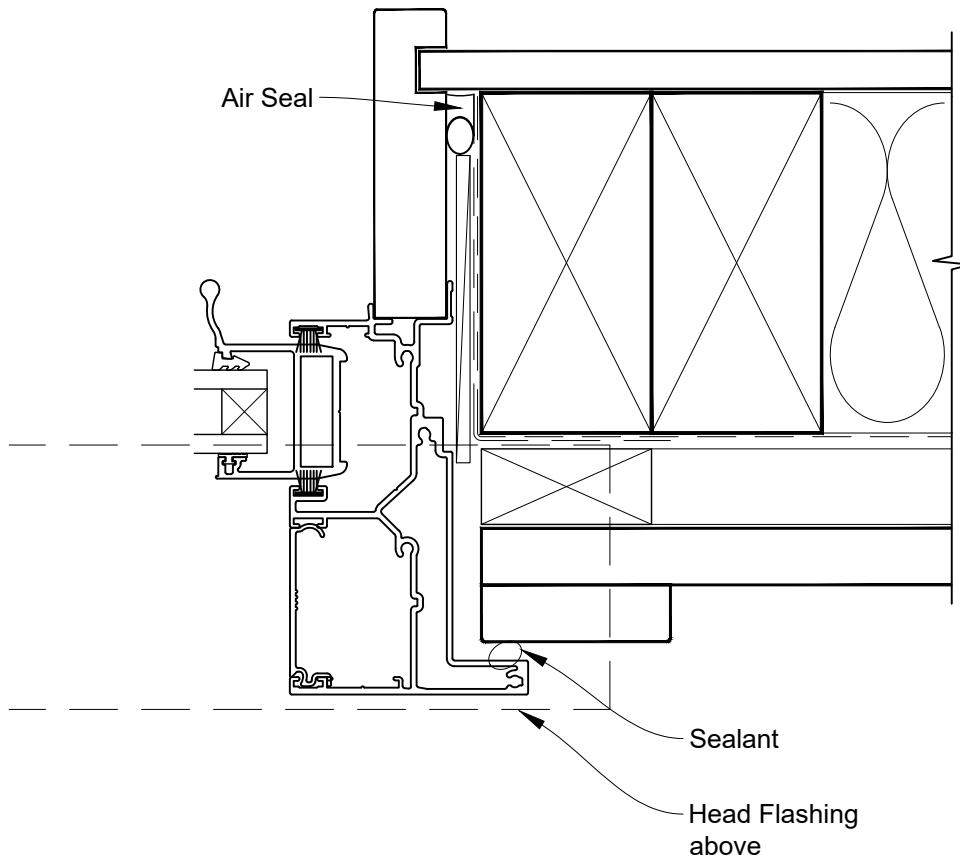


**INSTALLATION DETAIL - ALTHERM RESIDENTIAL
TWIN SLIDER WINDOW ON BOARD & BATTEN
CAVITY CONSTRUCTION**

Date: 01.04.19

Scale: 1:2

CAD Ref.: ARTWBB-CSJ

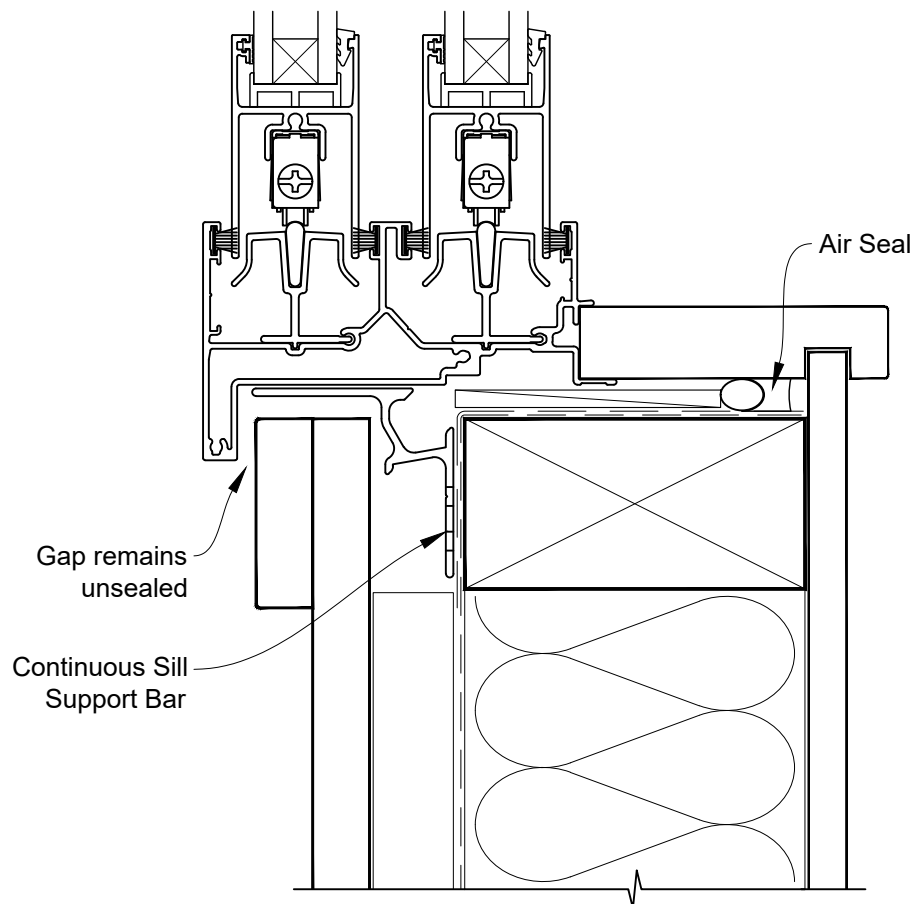


INSTALLATION DETAIL - ALTHERM RESIDENTIAL TWIN SLIDER WINDOW ON BOARD & BATTEN CAVITY CONSTRUCTION

Date: 01.04.19

Scale: 1:2

CAD Ref.: ARTWBB-CSS

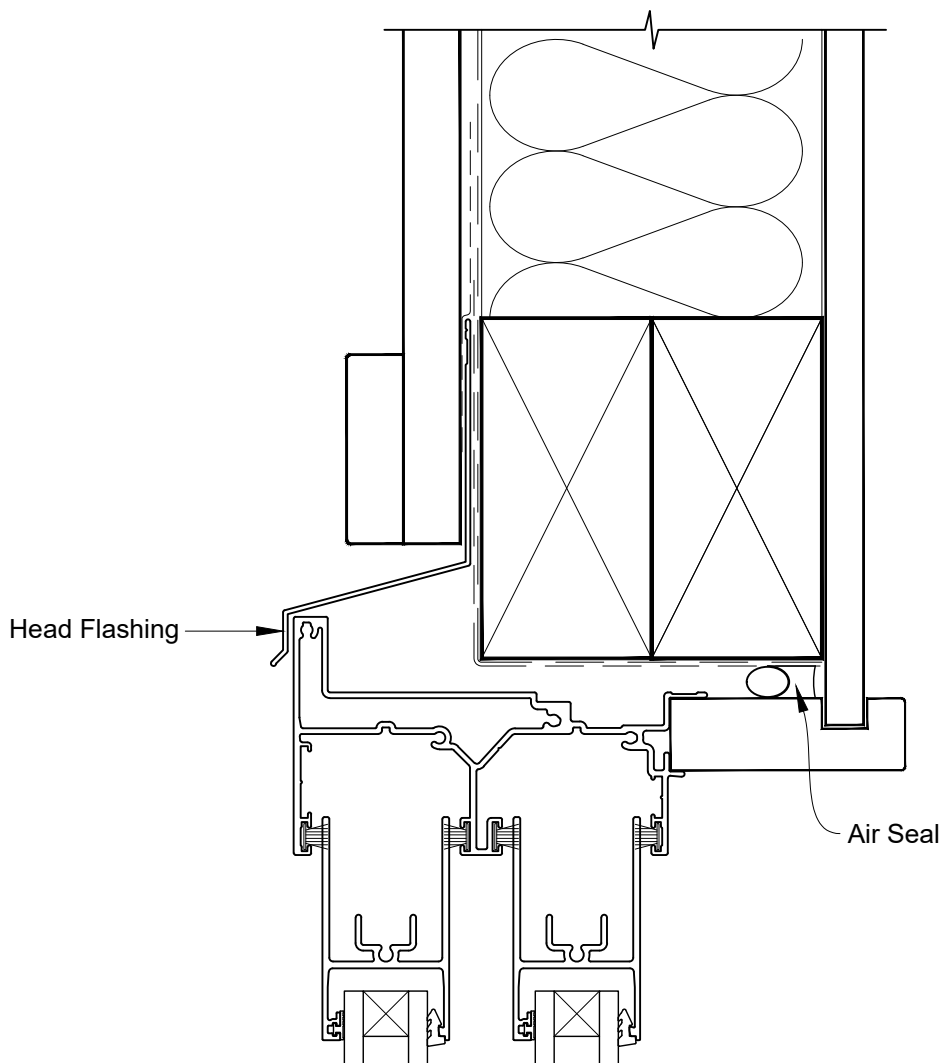


**INSTALLATION DETAIL - ALTHERM RESIDENTIAL
TWIN SLIDER WINDOW ON BOARD & BATTEN
DIRECT FIXED CLADDING**

Date: 01.04.19

Scale: 1:2

CAD Ref.: ARTWBB-DSH

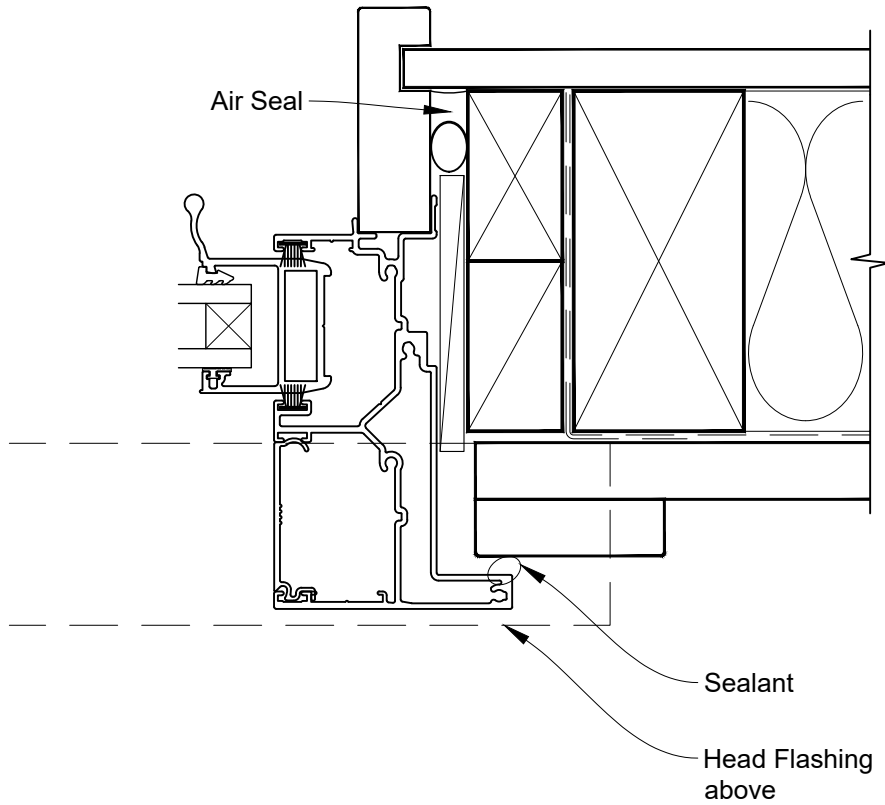


**INSTALLATION DETAIL - ALTHERM RESIDENTIAL
TWIN SLIDER WINDOW ON BOARD & BATTEN
DIRECT FIXED CLADDING**

Date: 01.04.19

Scale: 1:2

CAD Ref.: ARTWBB-DSJ



**INSTALLATION DETAIL - ALTHERM RESIDENTIAL
TWIN SLIDER WINDOW ON BOARD & BATTEN
DIRECT FIXED CLADDING**

Date: 01.04.19

Scale: 1:2

CAD Ref.: ARTWBB-DSS

