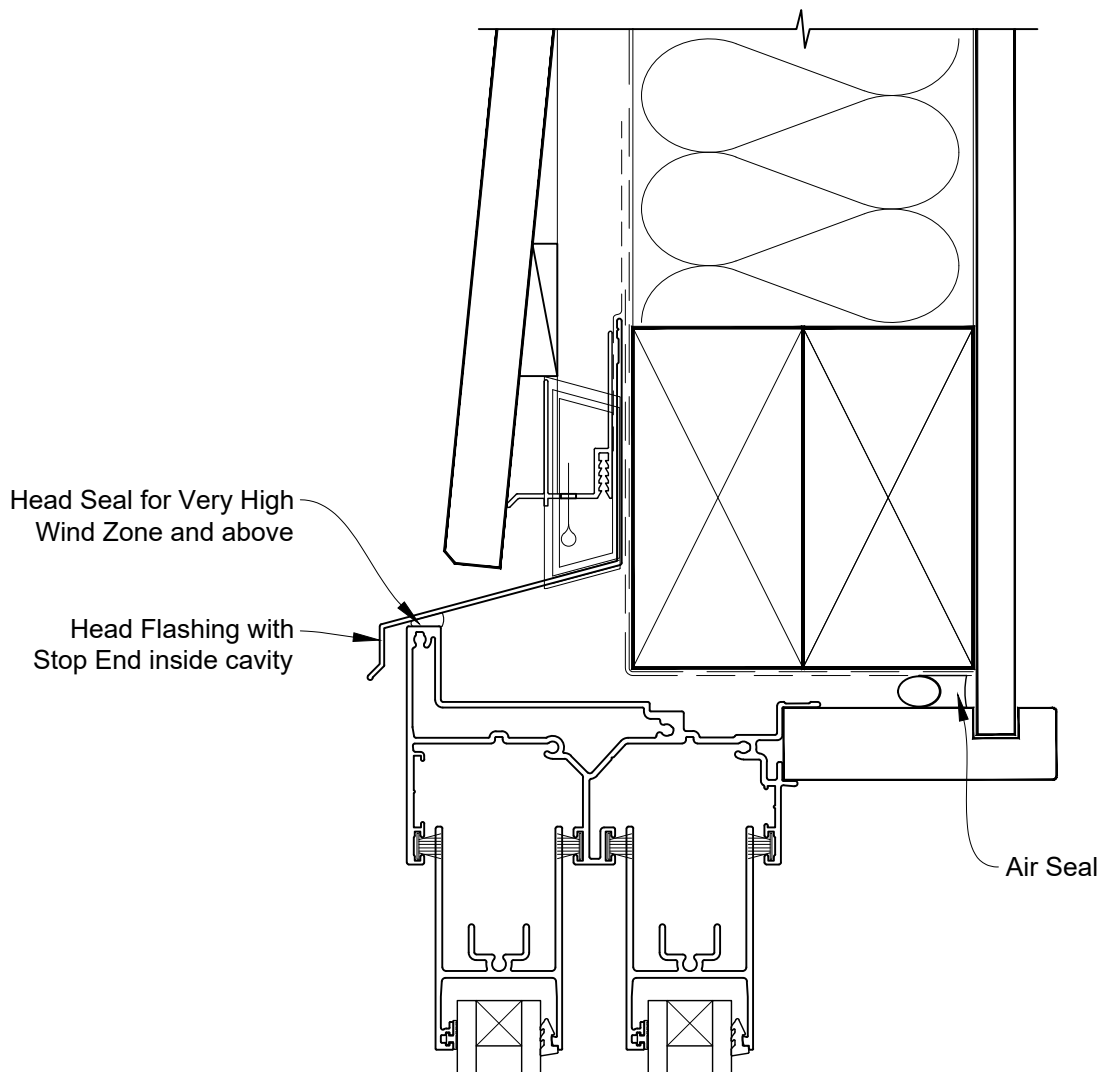


**INSTALLATION DETAIL - ALTHERM RESIDENTIAL
TWIN SLIDER WINDOW ON BEVELBACK
WEATHERBOARD - CAVITY CONSTRUCTION**

Date: 01.04.19

Scale: 1:2

CAD Ref.: ARTWBW-CSH

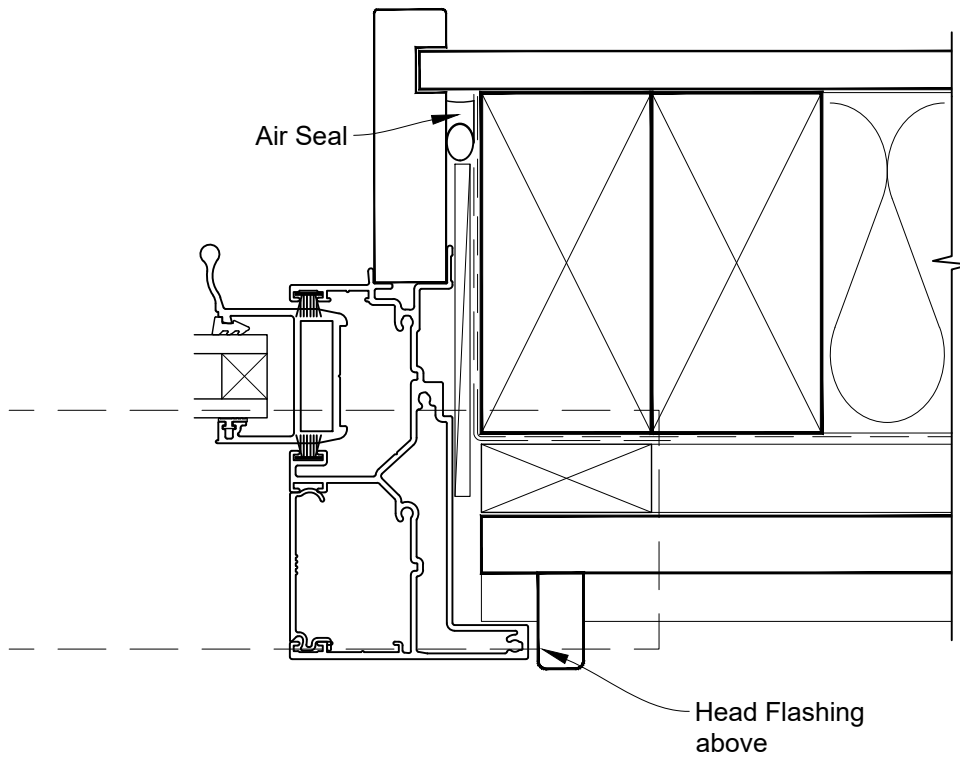


**INSTALLATION DETAIL - ALTHERM RESIDENTIAL
TWIN SLIDER WINDOW ON BEVELBACK
WEATHERBOARD - CAVITY CONSTRUCTION**

Date: 01.04.19

Scale: 1:2

CAD Ref.: ARTWBW-CSJ

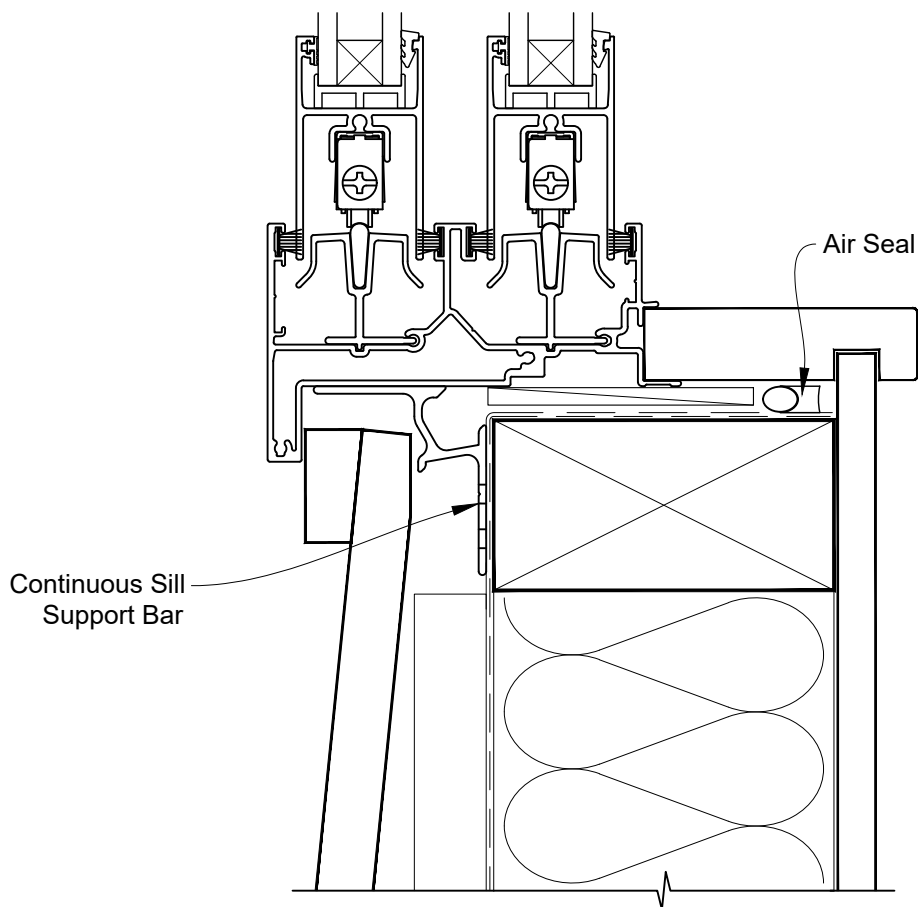


**INSTALLATION DETAIL - ALTHERM RESIDENTIAL
TWIN SLIDER WINDOW ON BEVELBACK
WEATHERBOARD - CAVITY CONSTRUCTION**

Date: 01.04.19

Scale: 1:2

CAD Ref.: ARTWBW-CSS

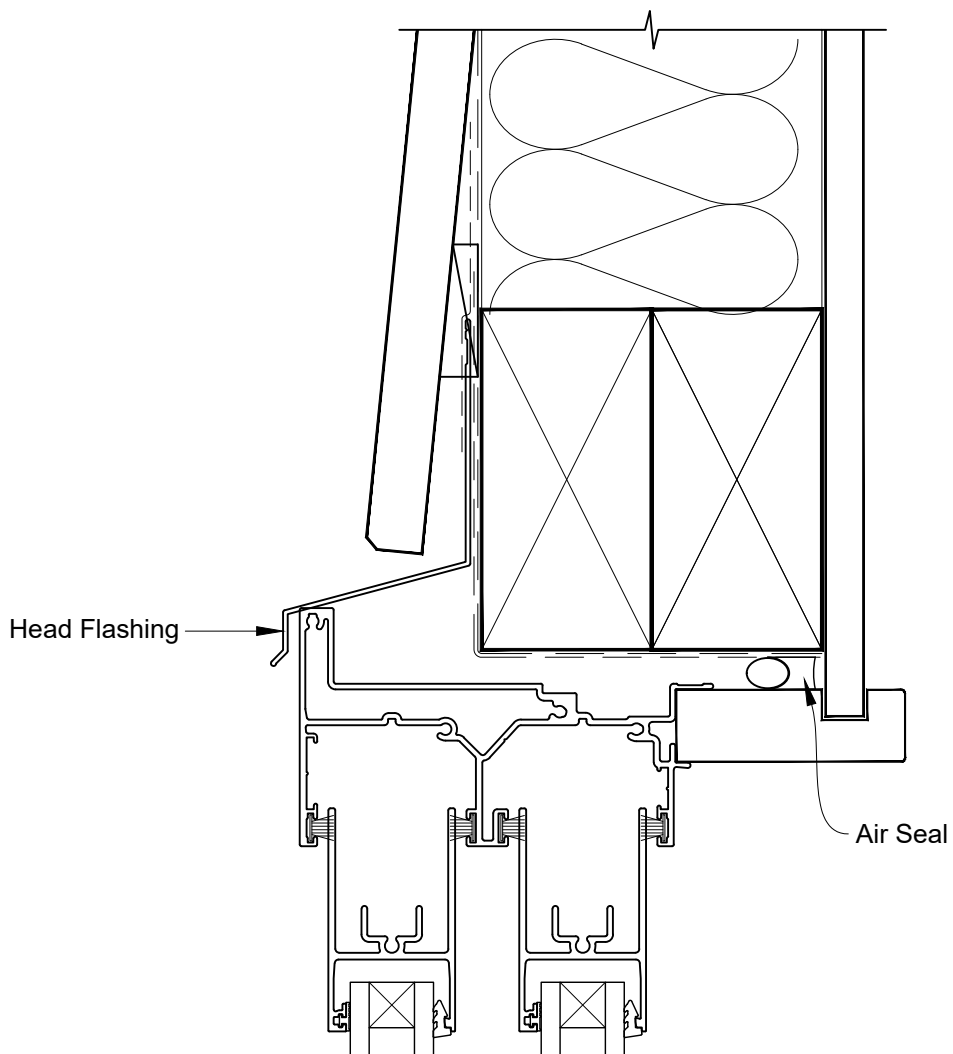


**INSTALLATION DETAIL - ALTHERM RESIDENTIAL
TWIN SLIDER WINDOW ON BEVELBACK
WEATHERBOARD - DIRECT FIXED CONSTRUCTION**

Date: 01.04.19

Scale: 1:2

CAD Ref.: ARTWBW-DSH

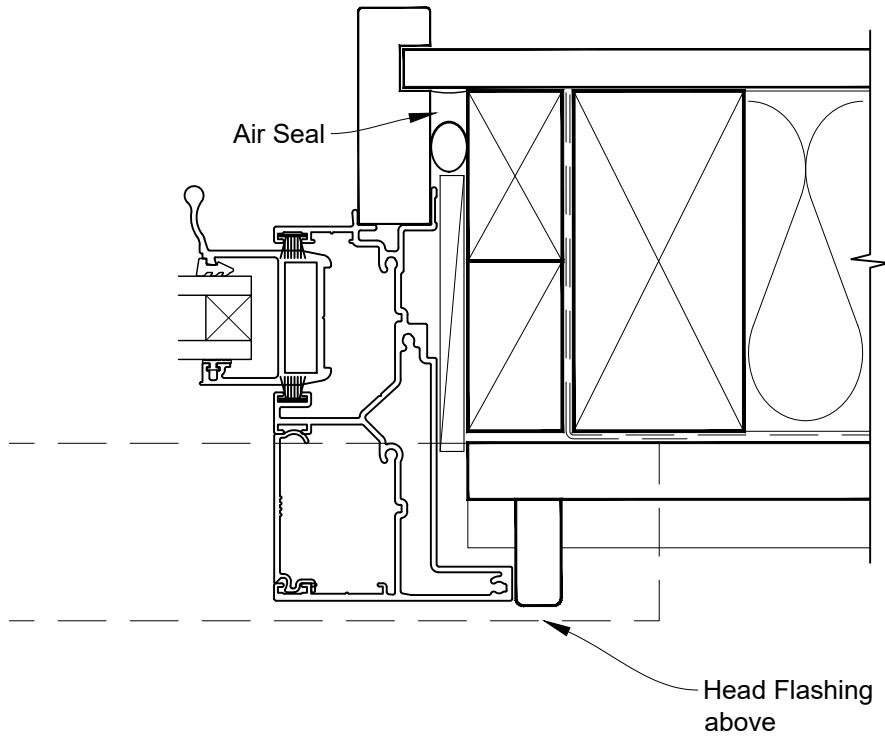


**INSTALLATION DETAIL - ALTHERM RESIDENTIAL
TWIN SLIDER WINDOW ON BEVELBACK
WEATHERBOARD - DIRECT FIXED CONSTRUCTION**

Date: 01.04.19

Scale: 1:2

CAD Ref.: ARTWBW-DSJ



**INSTALLATION DETAIL - ALTHERM RESIDENTIAL
TWIN SLIDER WINDOW ON BEVELBACK
WEATHERBOARD - DIRECT FIXED CONSTRUCTION**

Date: 01.04.19

Scale: 1:2

CAD Ref.: ARTWBW-DSS

