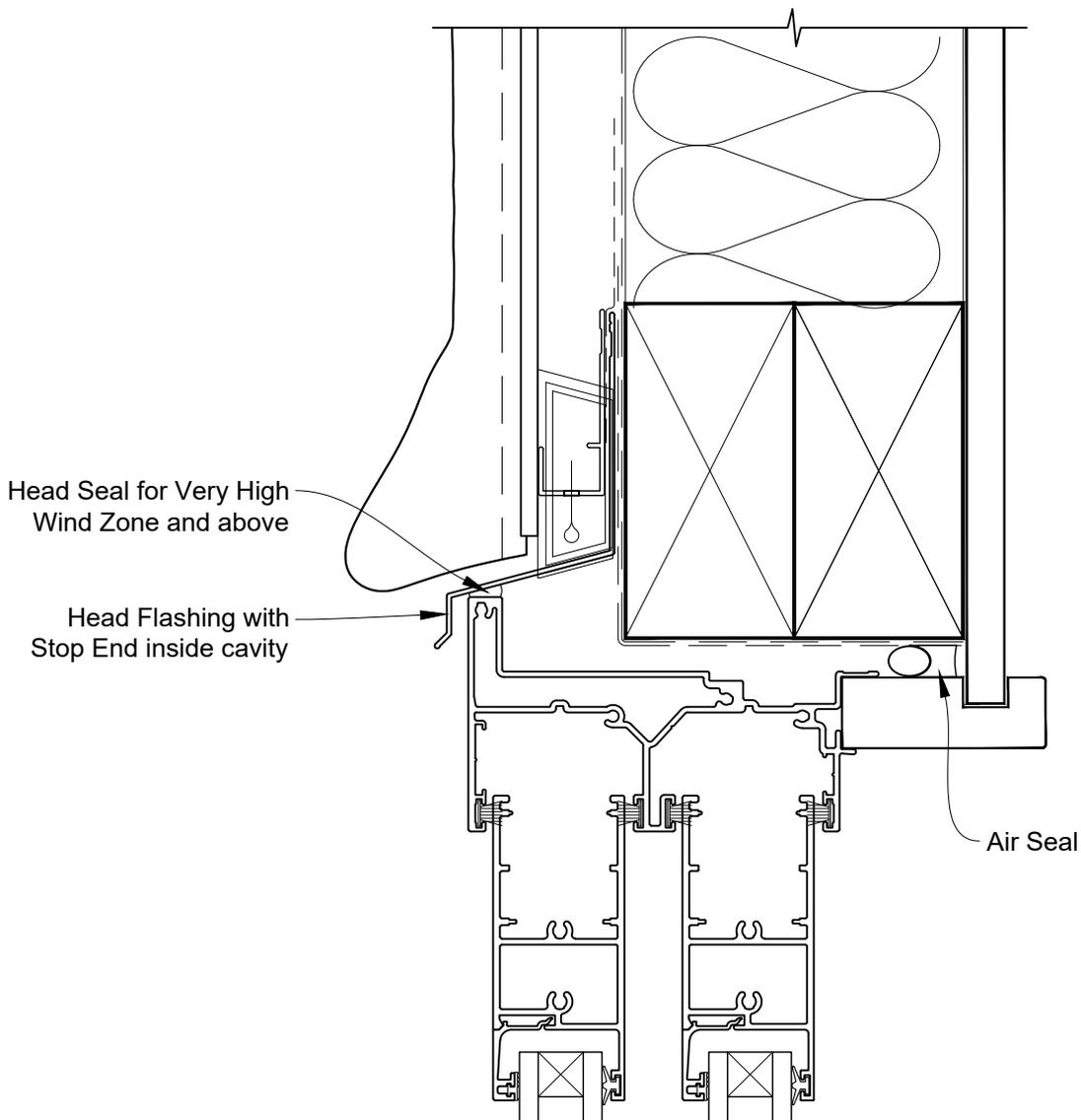


INSTALLATION DETAIL - ALTHERM RESIDENTIAL TWIN SLIDER DOOR ON STUCCO CAVITY CONSTRUCTION

Date: 01.04.19

Scale: 1:2

CAD Ref.: ARTSST-CSH



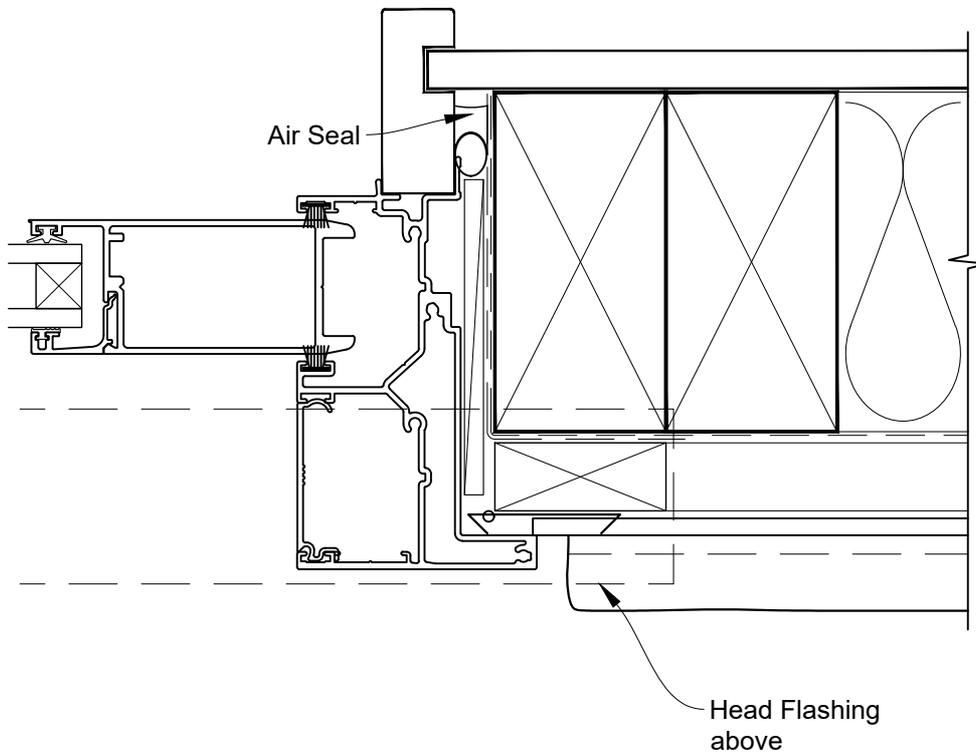


INSTALLATION DETAIL - ALTherm RESIDENTIAL TWIN SLIDER DOOR ON STUCCO CAVITY CONSTRUCTION

Date: 01.04.19

Scale: 1:2

CAD Ref.: ARTSST-CSJ





INSTALLATION DETAIL - ALTHERM RESIDENTIAL TWIN SLIDER DOOR ON STUCCO CAVITY CONSTRUCTION

Date: 01.04.19

Scale: 1:2

CAD Ref.: ARTSST-CSS

