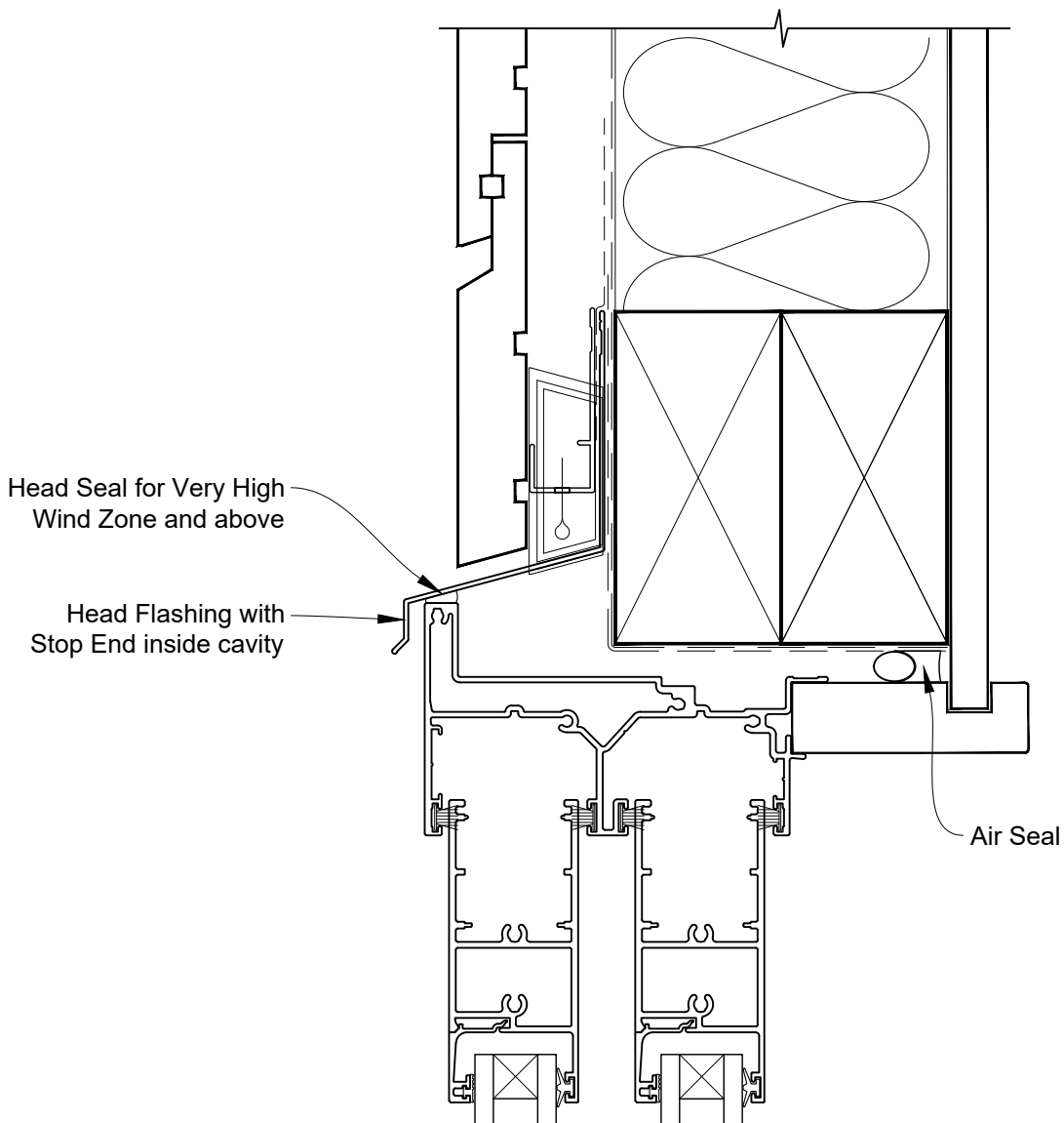


INSTALLATION DETAIL - ALTherm RESIDENTIAL TWIN SLIDER DOOR ON RUSTICATED WEATHERBOARD CAVITY CONSTRUCTION

Date: 01.04.19

Scale: 1:2

CAD Ref.: ARTSRW-CSH

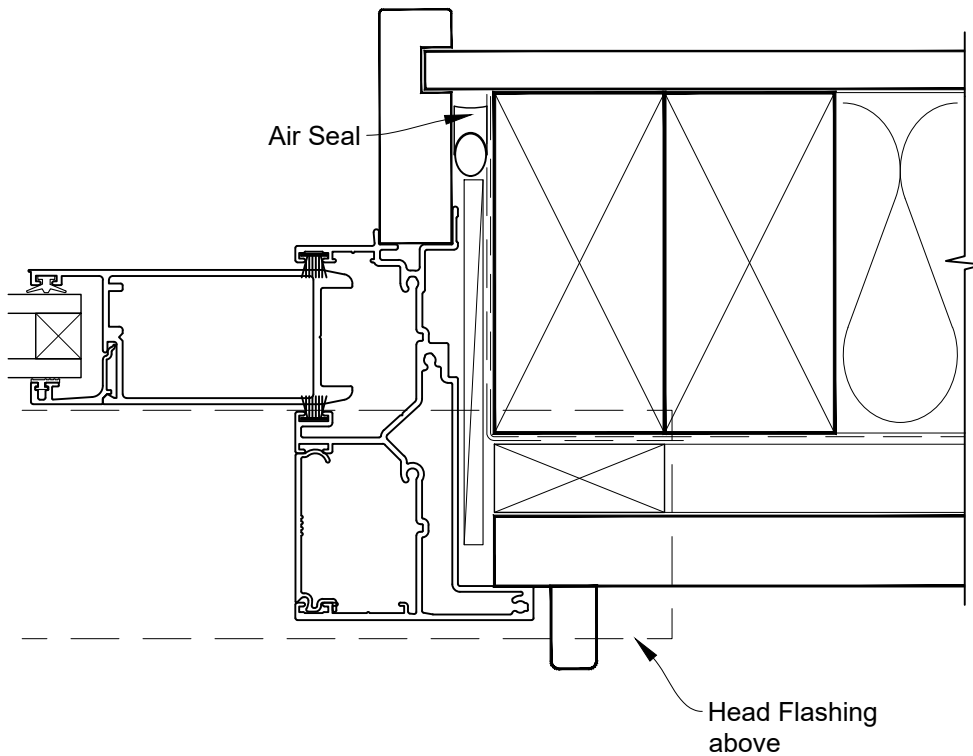


**INSTALLATION DETAIL - ALTHERM RESIDENTIAL
TWIN SLIDER DOOR ON RUSTICATED WEATHERBOARD
CAVITY CONSTRUCTION**

Date: 01.04.19

Scale: 1:2

CAD Ref.: ARTSRW-CSJ

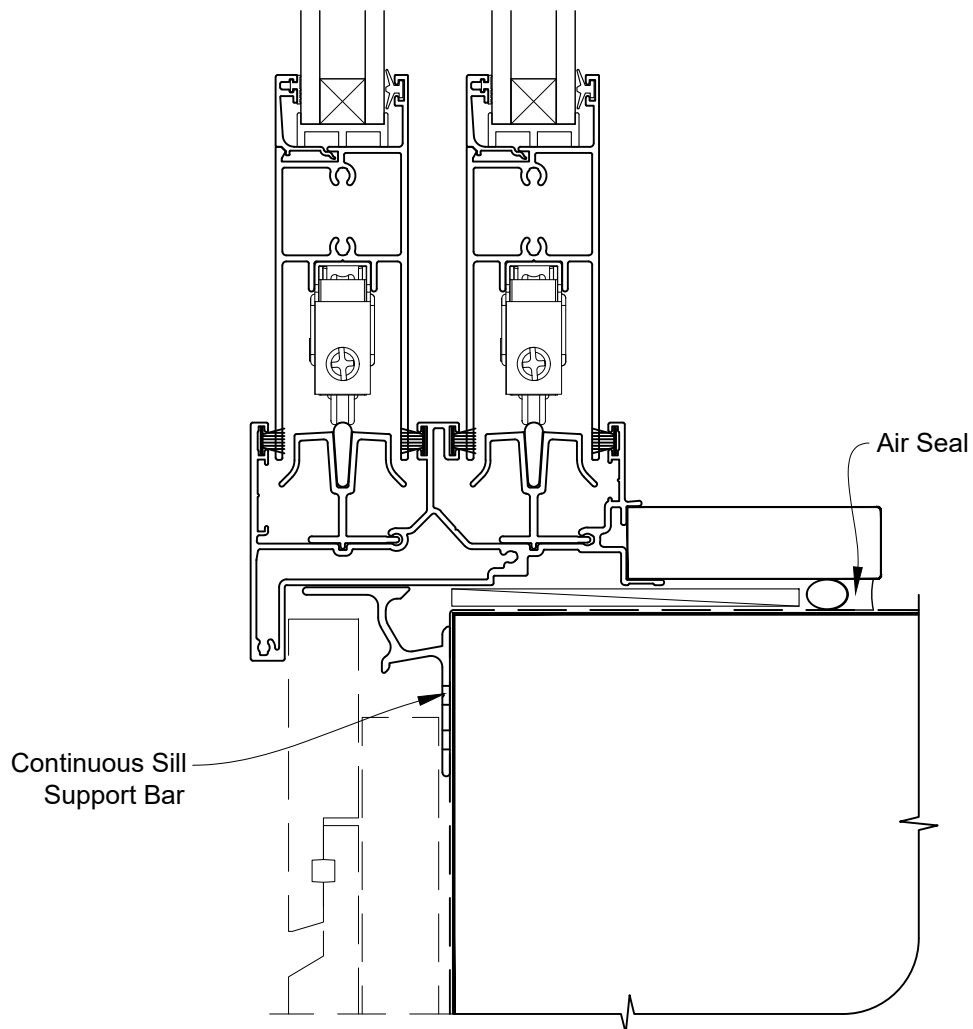


**INSTALLATION DETAIL - ALTHERM RESIDENTIAL
TWIN SLIDER DOOR ON RUSTICATED WEATHERBOARD
CAVITY CONSTRUCTION**

Date: 01.04.19

Scale: 1:2

CAD Ref.: ARTSRW-CSS

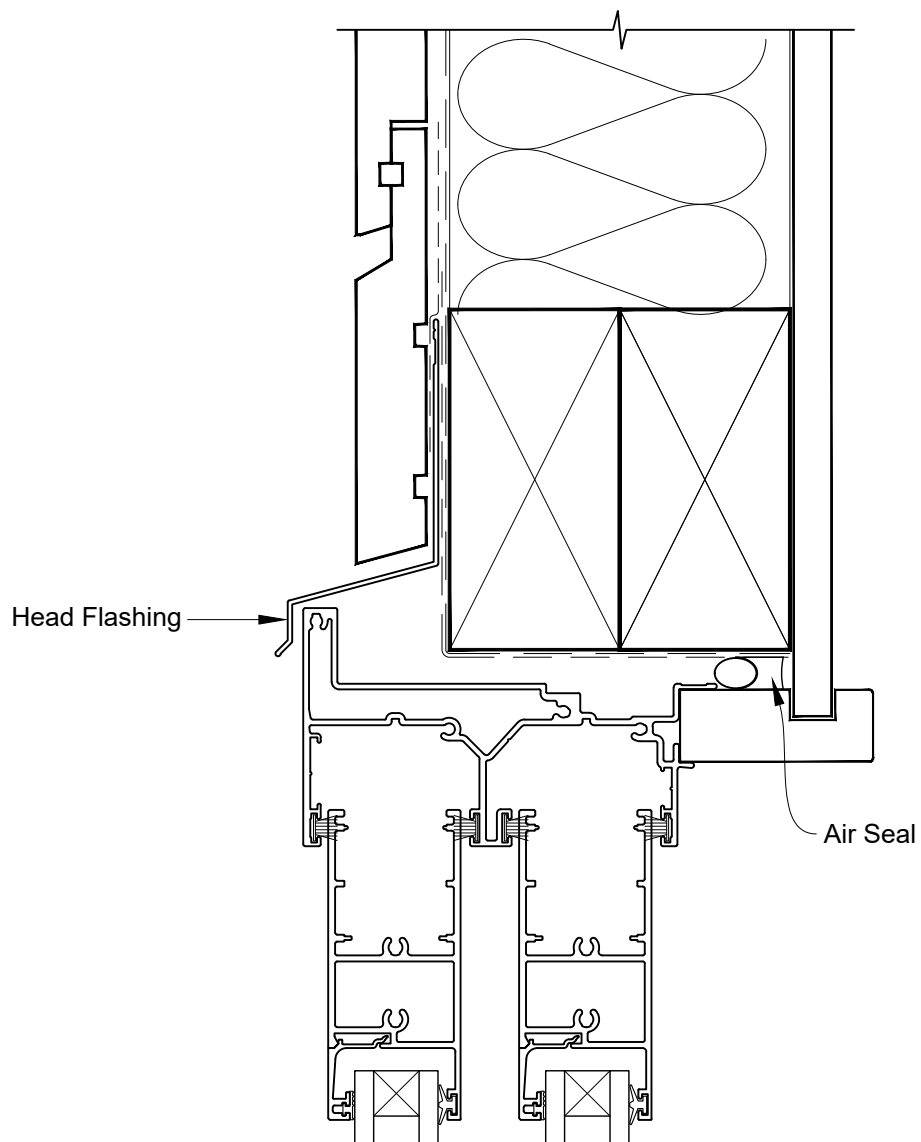


**INSTALLATION DETAIL - ALTherm RESIDENTIAL
TWIN SLIDER DOOR ON RUSTICATED WEATHERBOARD
DIRECT FIXED CONSTRUCTION**

Date: 01.04.19

Scale: 1:2

CAD Ref.: ARTSRW-DSH

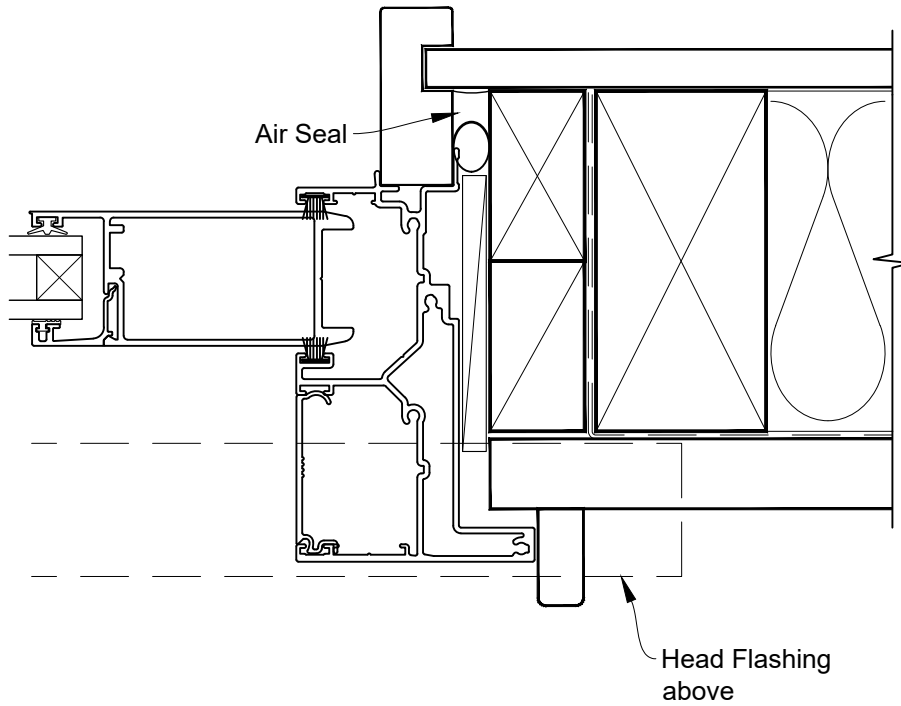


**INSTALLATION DETAIL - ALTHERM RESIDENTIAL
TWIN SLIDER DOOR ON RUSTICATED WEATHERBOARD
DIRECT FIXED CONSTRUCTION**

Date: 01.04.19

Scale: 1:2

CAD Ref.: ARTSRW-DSJ



**INSTALLATION DETAIL - ALTHERM RESIDENTIAL
TWIN SLIDER DOOR ON RUSTICATED WEATHERBOARD
DIRECT FIXED CONSTRUCTION**

Date: 01.04.19

Scale: 1:2

CAD Ref.: ARTSRW-DSS

