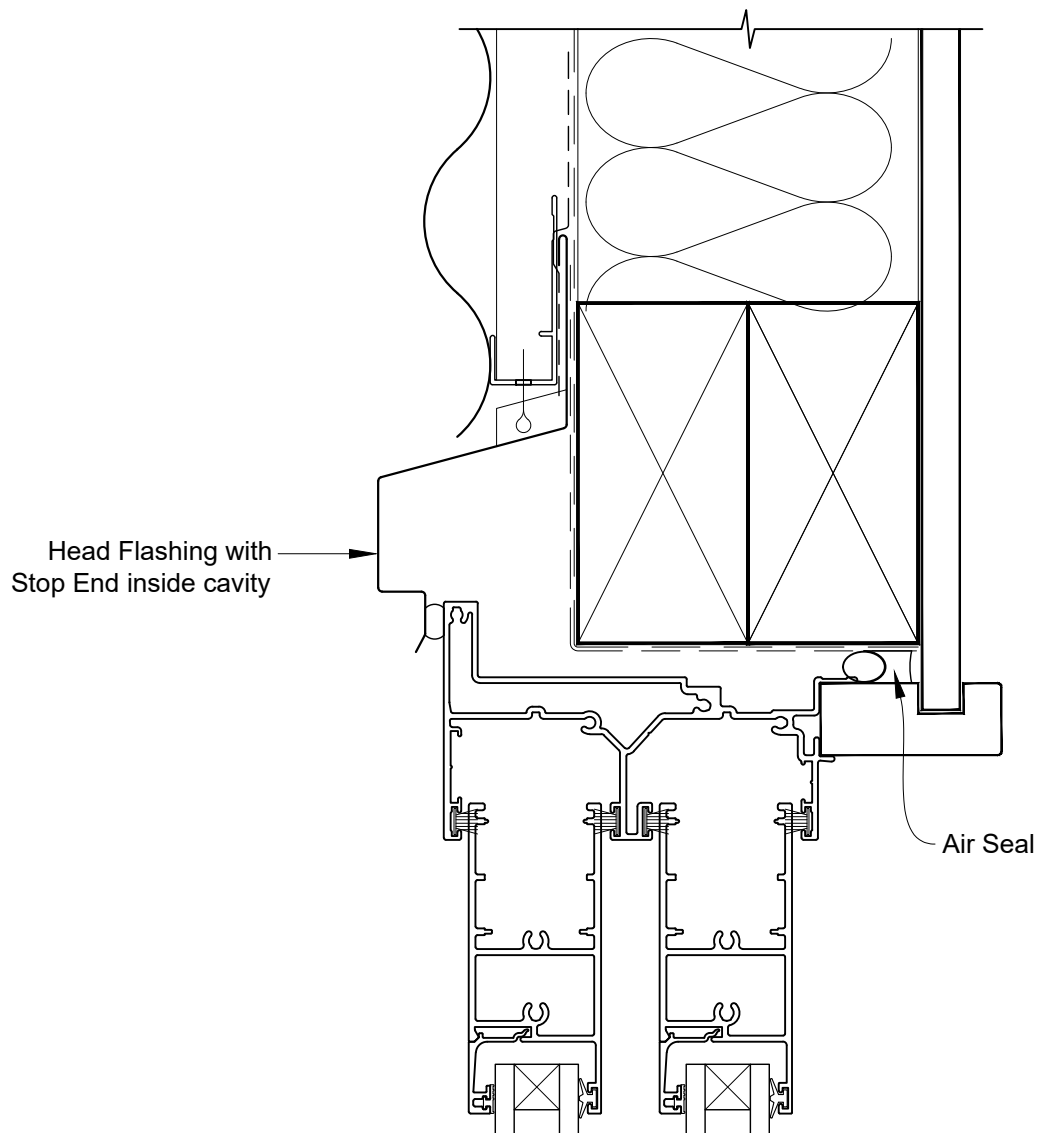


**INSTALLATION DETAIL - ALTHERM RESIDENTIAL  
TWIN SLIDER DOOR ON PROFILE METAL  
CAVITY CONSTRUCTION**

Date: 01.04.19

Scale: 1:2

CAD Ref.: ARTSPM-CSH

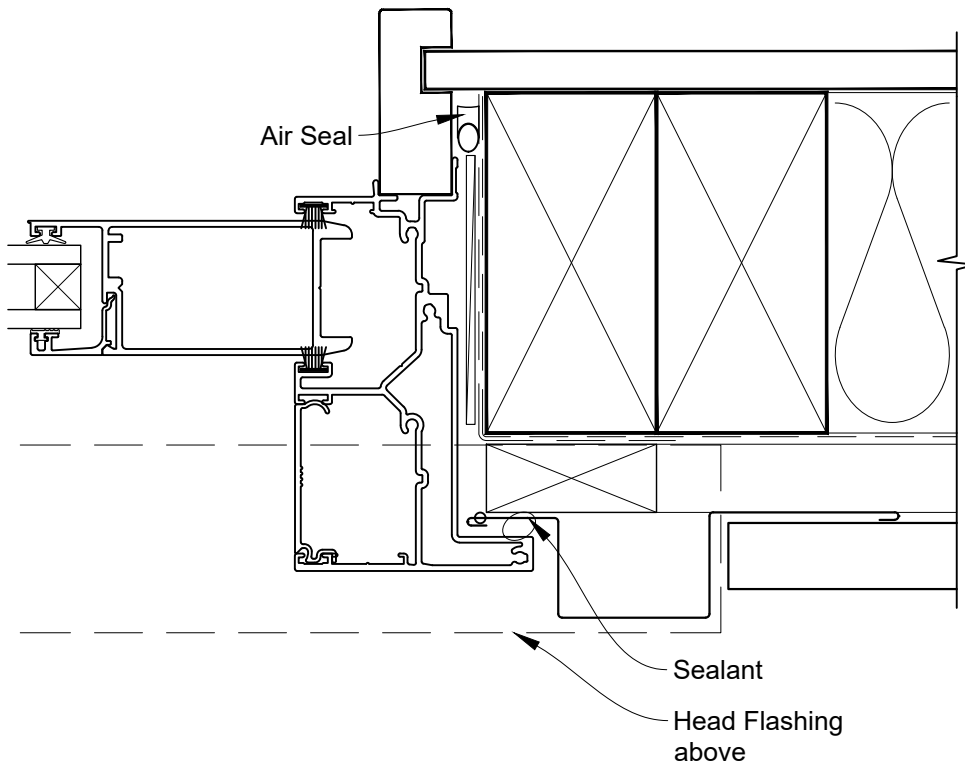


**INSTALLATION DETAIL - ALTHERM RESIDENTIAL  
TWIN SLIDER DOOR ON PROFILE METAL  
CAVITY CONSTRUCTION**

Date: 01.04.19

Scale: 1:2

CAD Ref.: ARTSPM-CSJ

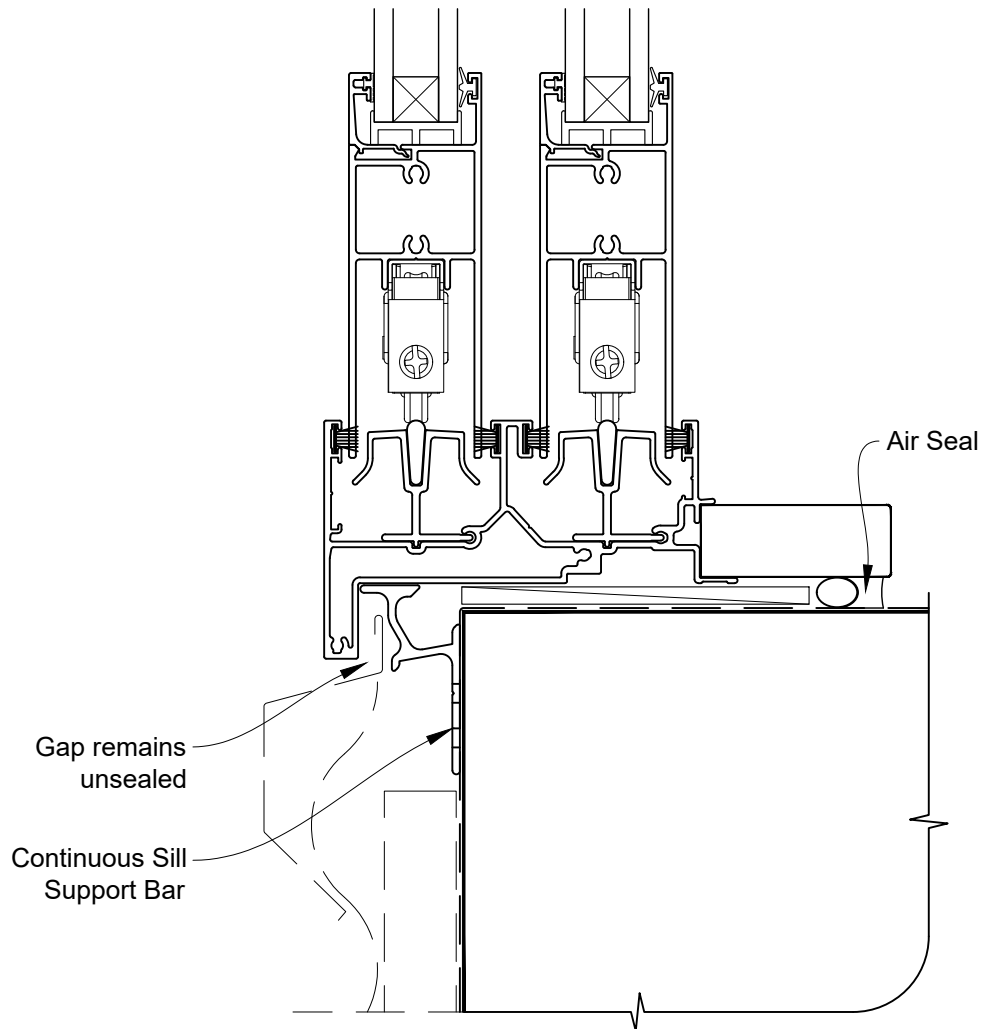


# INSTALLATION DETAIL - ALTHERM RESIDENTIAL TWIN SLIDER DOOR ON PROFILE METAL CAVITY CONSTRUCTION

Date: 01.04.19

Scale: 1:2

CAD Ref.: ARTSPM-CSS

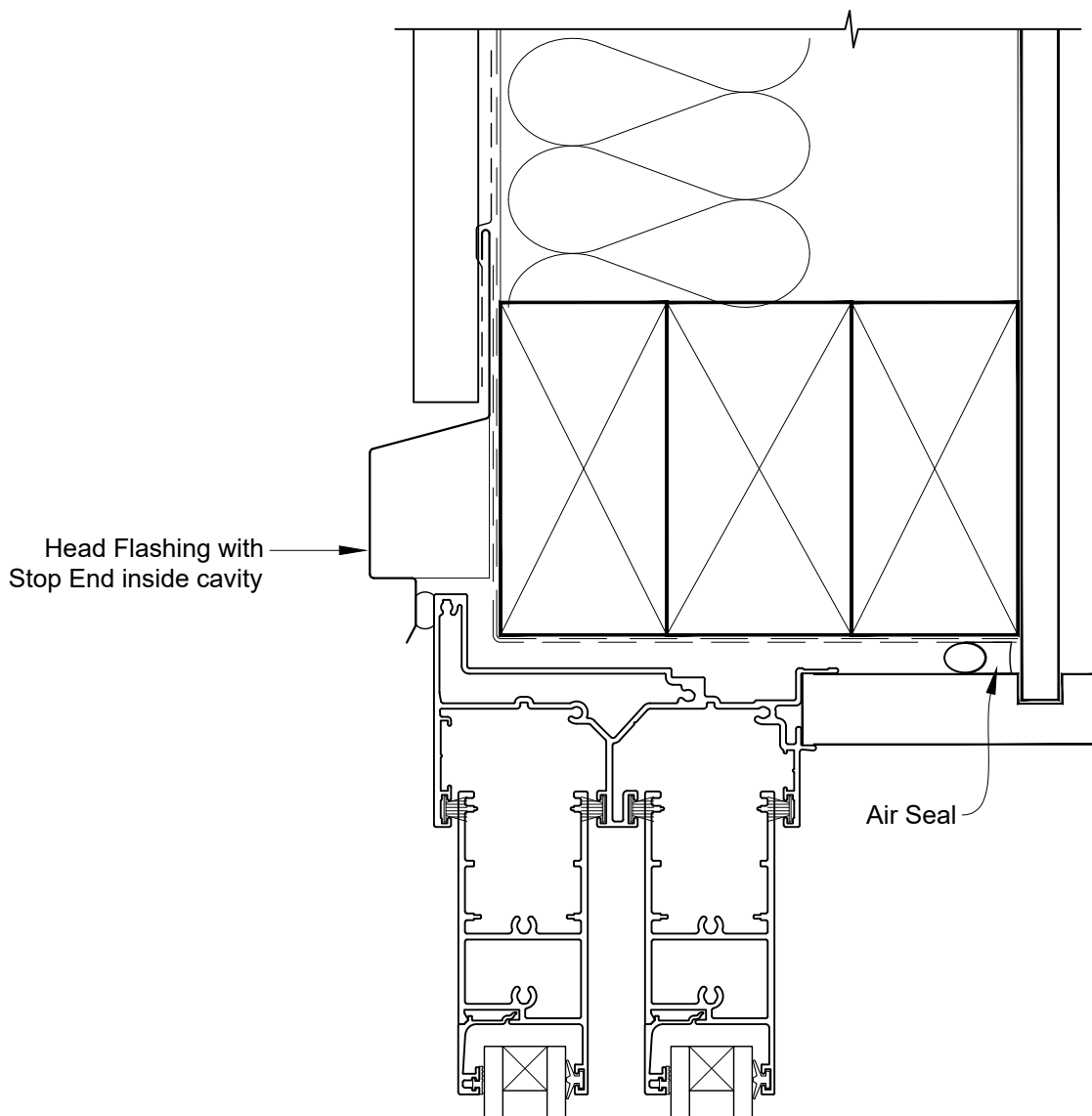


**INSTALLATION DETAIL - ALTherm RESIDENTIAL  
TWIN SLIDER DOOR ON PROFILE METAL  
DIRECT FIXED CONSTRUCTION**

Date: 01.04.19

Scale: 1:2

CAD Ref.: ARTSPM-DSH

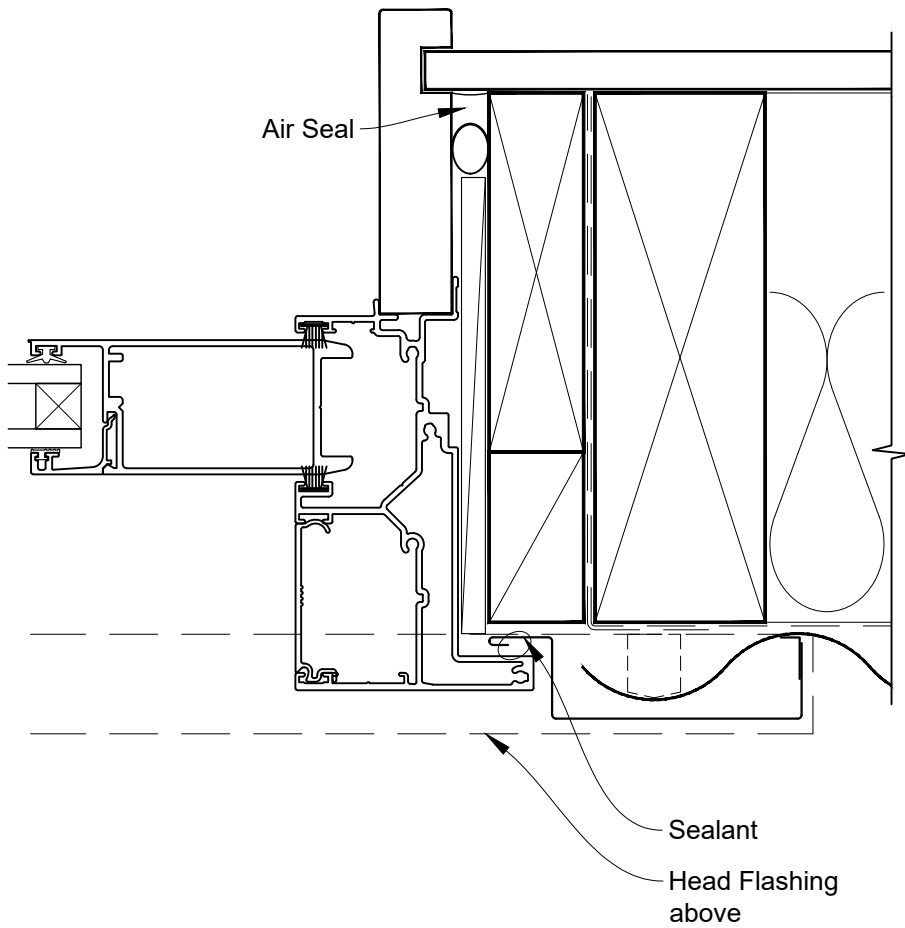


**INSTALLATION DETAIL - ALTHERM RESIDENTIAL  
TWIN SLIDER DOOR ON PROFILE METAL  
DIRECT FIXED CONSTRUCTION**

Date: 01.04.19

Scale: 1:2

CAD Ref.: ARTSPM-DSJ



**INSTALLATION DETAIL - ALTHERM RESIDENTIAL  
TWIN SLIDER DOOR ON PROFILE METAL  
DIRECT FIXED CONSTRUCTION**

Date: 01.04.19

Scale: 1:2

CAD Ref.: ARTSPM-DSS

