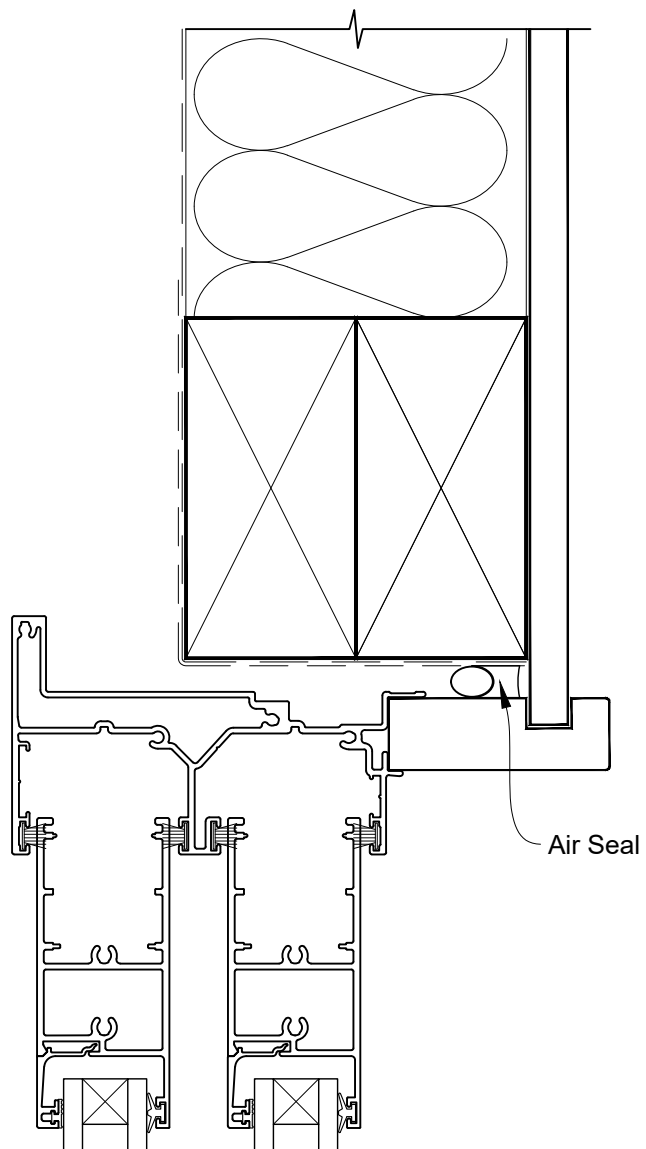


**INSTALLATION DETAIL - ALTHERM RESIDENTIAL  
TWIN SLIDER DOOR ON NO CLADDING  
CAVITY CONSTRUCTION**

Date: 01.04.19

Scale: 1:2

CAD Ref.: ARTSNC-CSH

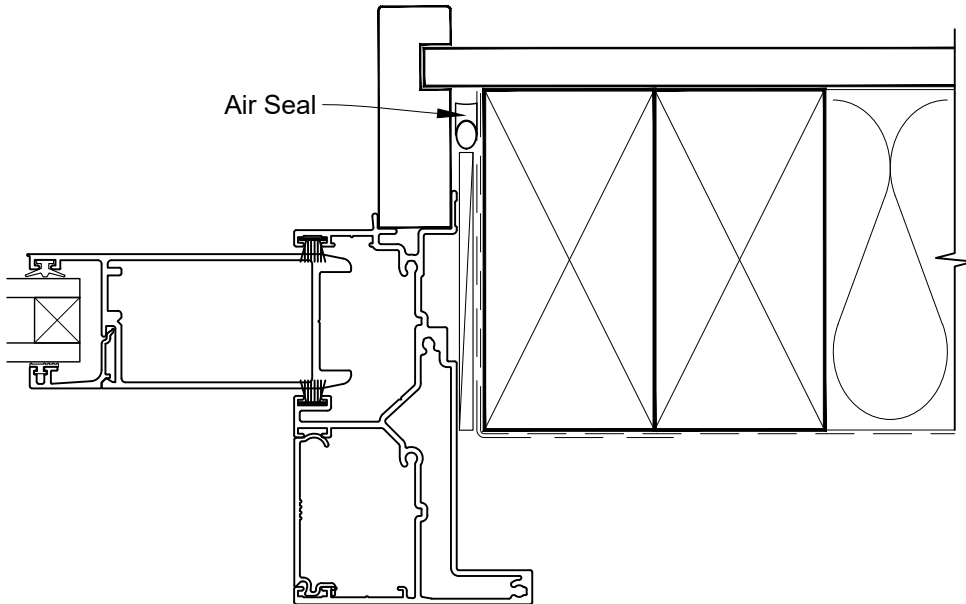


**INSTALLATION DETAIL - ALTHERM RESIDENTIAL  
TWIN SLIDER DOOR ON NO CLADDING  
CAVITY CONSTRUCTION**

Date: 01.04.19

Scale: 1:2

CAD Ref.: ARTSNC-CSJ

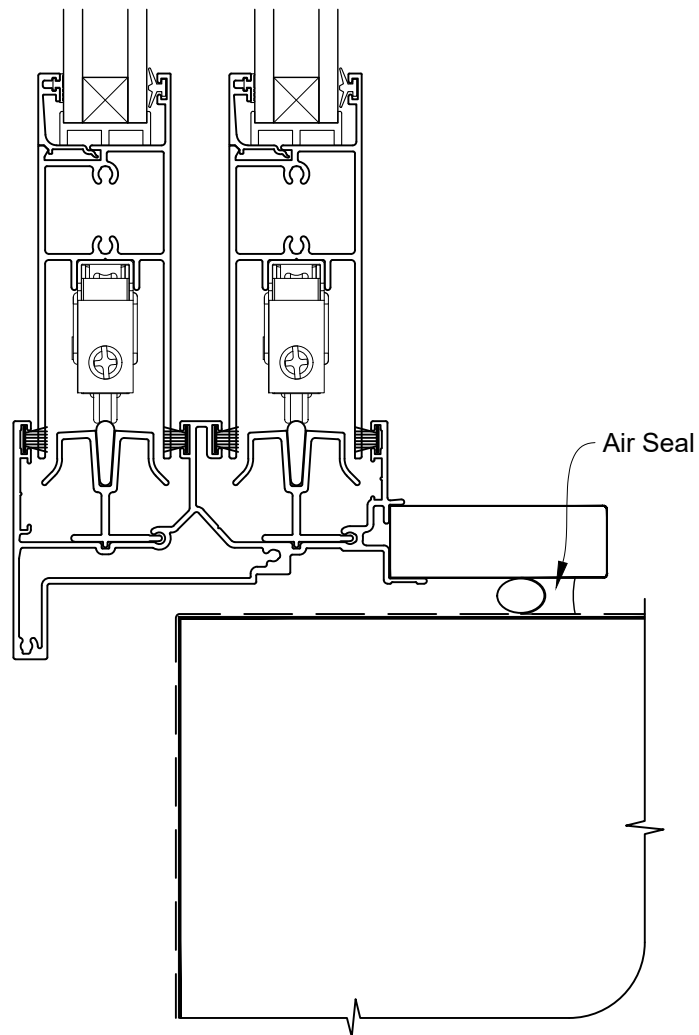


**INSTALLATION DETAIL - ALTHERM RESIDENTIAL  
TWIN SLIDER DOOR ON NO CLADDING  
CAVITY CONSTRUCTION**

Date: 01.04.19

Scale: 1:2

CAD Ref.: ARTSNC-CSS

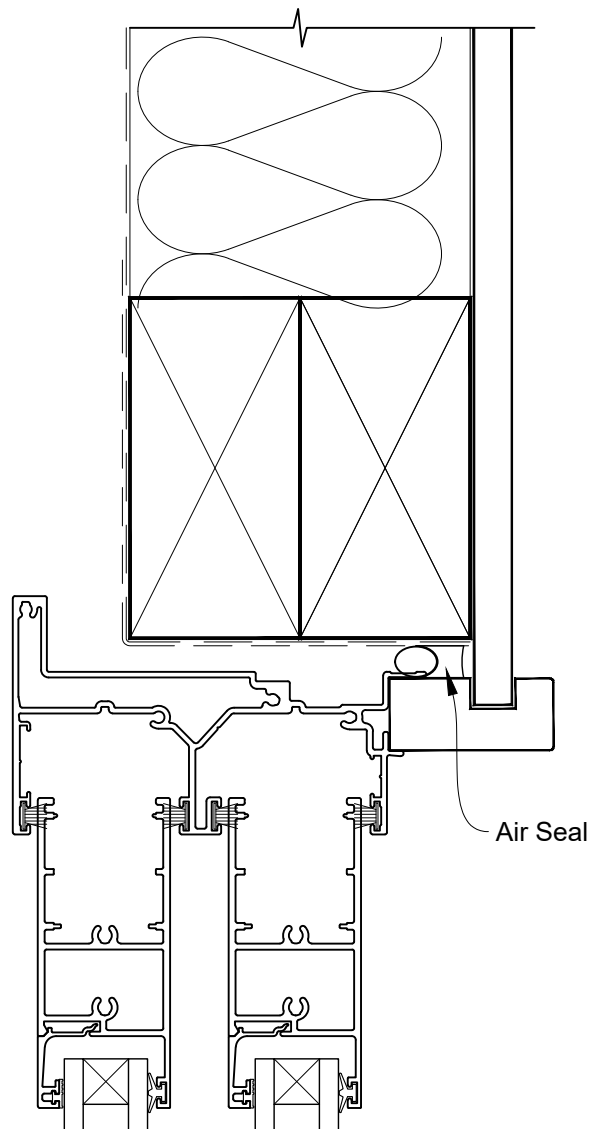


**INSTALLATION DETAIL - ALTHERM RESIDENTIAL  
TWIN SLIDER DOOR ON NO CLADDING  
DIRECT FIXED CLADDING**

Date: 01.04.19

Scale: 1:2

CAD Ref.: ARTSNC-DSH

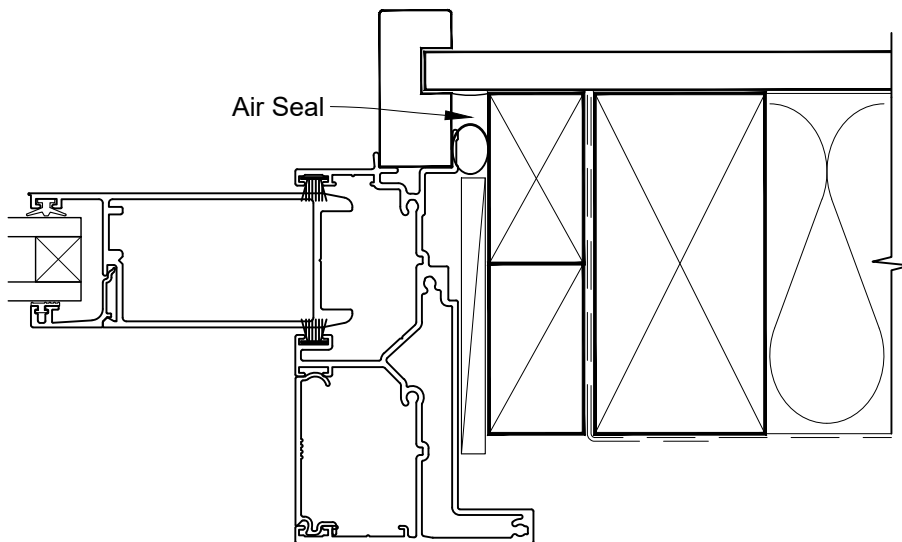


**INSTALLATION DETAIL - ALTHERM RESIDENTIAL  
TWIN SLIDER DOOR ON NO CLADDING  
DIRECT FIXED CLADDING**

Date: 01.04.19

Scale: 1:2

CAD Ref.: ARTSNC-DSJ



**INSTALLATION DETAIL - ALTHERM RESIDENTIAL  
TWIN SLIDER DOOR ON NO CLADDING  
DIRECT FIXED CLADDING**

Date: 01.04.19

Scale: 1:2

CAD Ref.: ARTSNC-DSS

