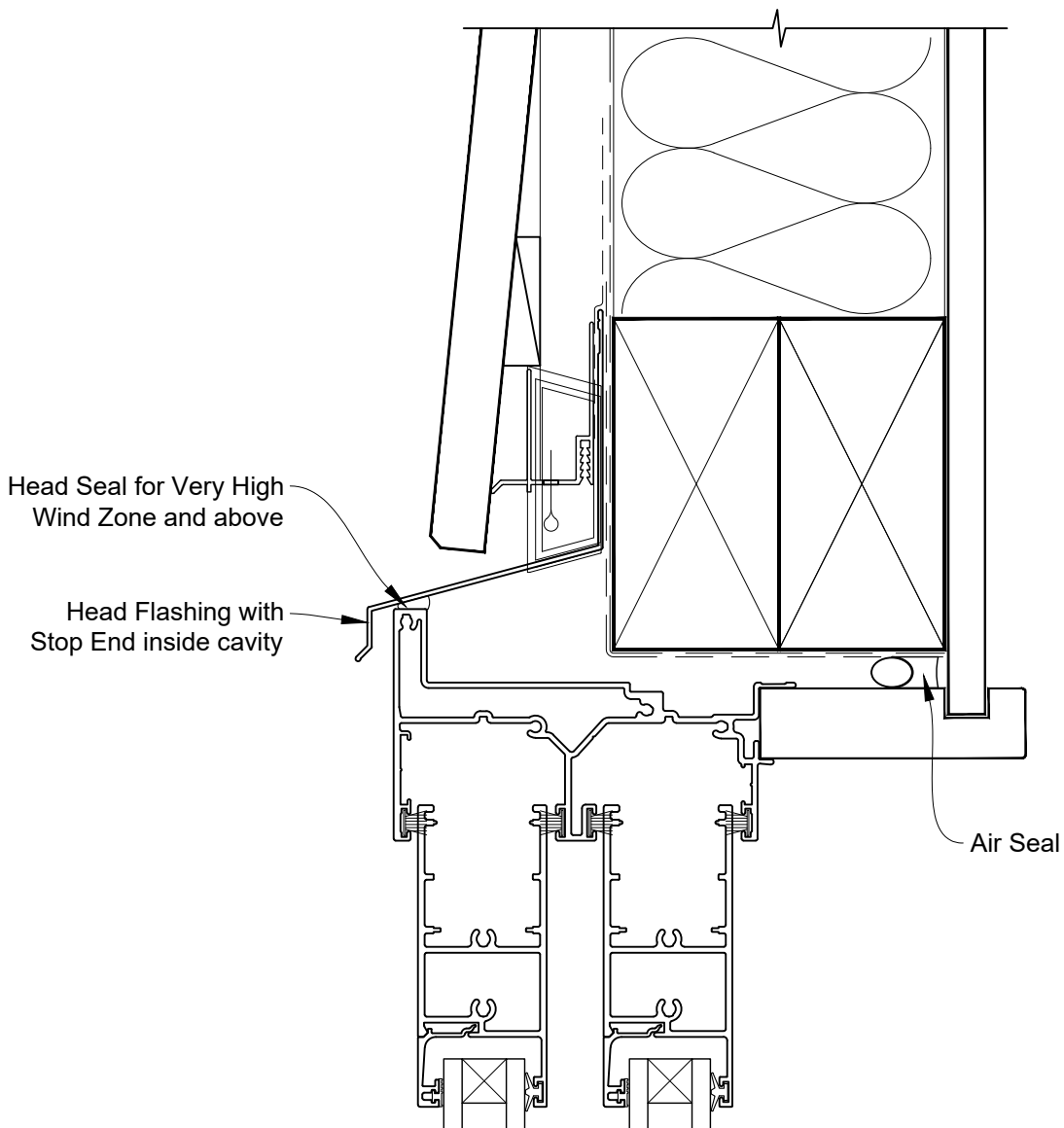


# INSTALLATION DETAIL - ALTHERM RESIDENTIAL TWIN SLIDER DOOR ON BEVELBACK WEATHERBOARD CAVITY CONSTRUCTION

Date: 01.04.19

Scale: 1:2

CAD Ref.: ARTSBW-CSH

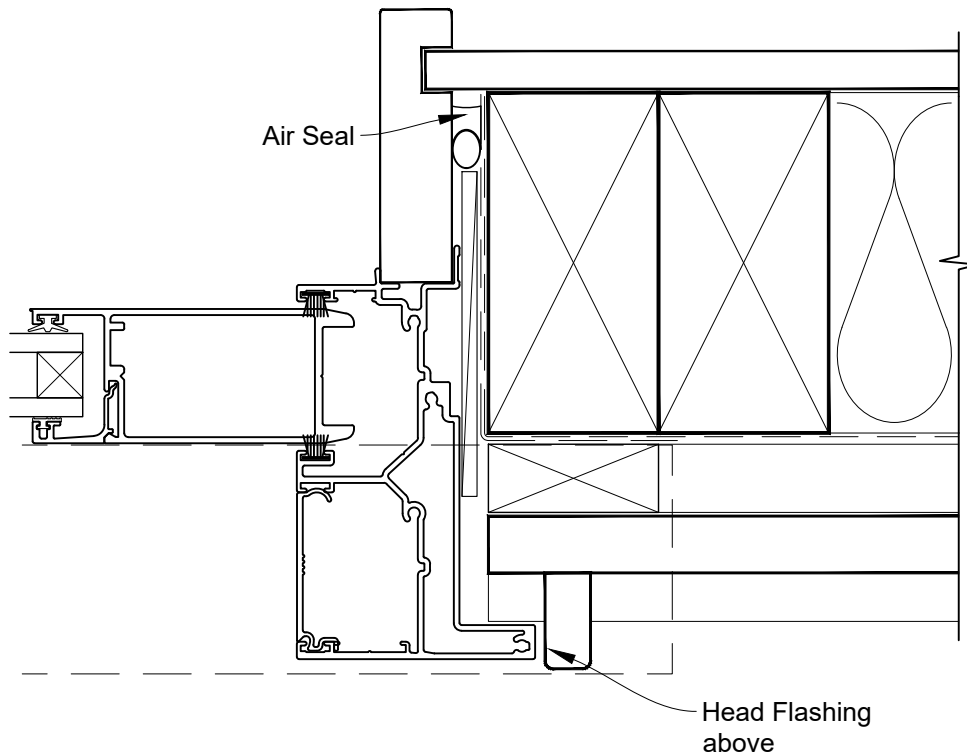


**INSTALLATION DETAIL - ALTHERM RESIDENTIAL  
TWIN SLIDER DOOR ON BEVELBACK WEATHERBOARD  
CAVITY CONSTRUCTION**

Date: 01.04.19

Scale: 1:2

CAD Ref.: ARTSBW-CSJ

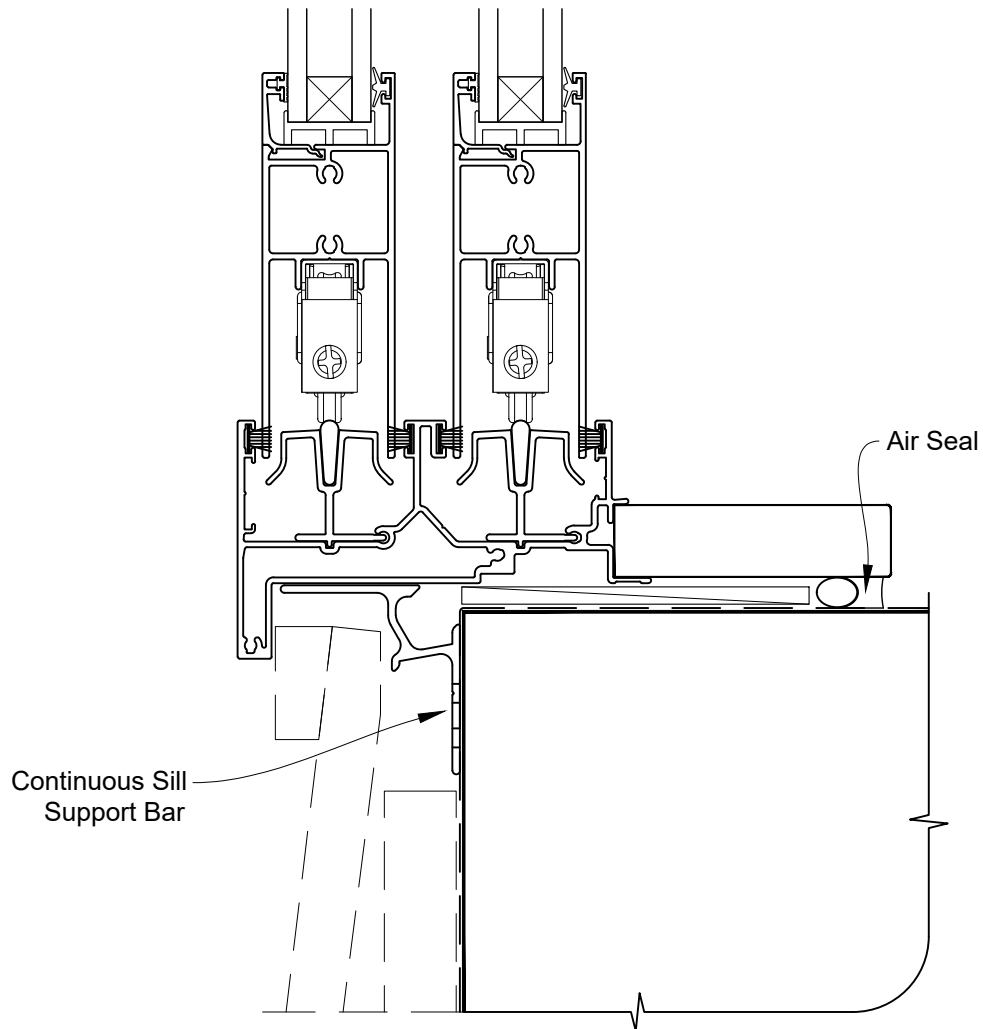


**INSTALLATION DETAIL - ALTHERM RESIDENTIAL  
TWIN SLIDER DOOR ON BEVELBACK WEATHERBOARD  
CAVITY CONSTRUCTION**

Date: 01.04.19

Scale: 1:2

CAD Ref.: ARTSBW-CSS

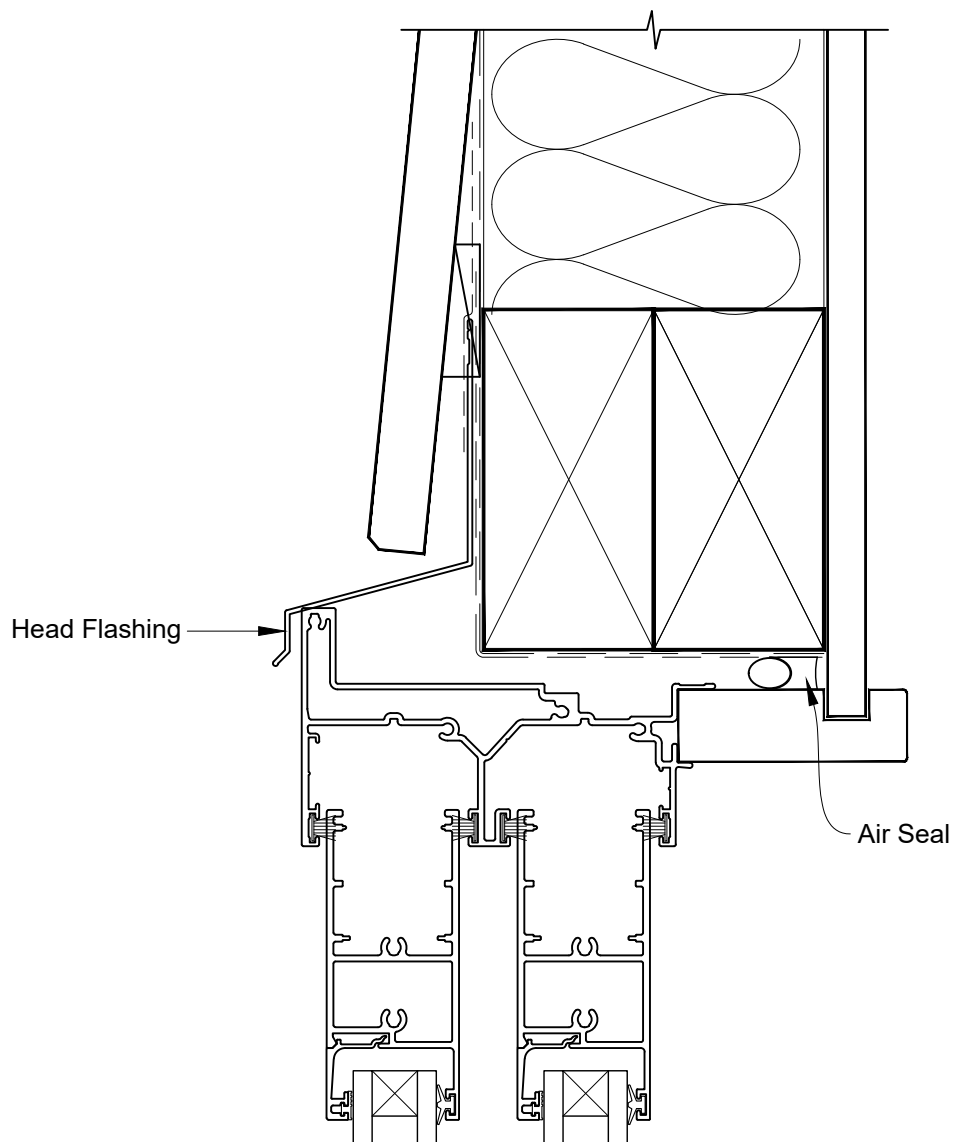


**INSTALLATION DETAIL - ALTherm RESIDENTIAL  
TWIN SLIDER DOOR ON BEVELBACK WEATHERBOARD  
DIRECT FIXED CONSTRUCTION**

Date: 01.04.19

Scale: 1:2

CAD Ref.: ARTSBW-DSH

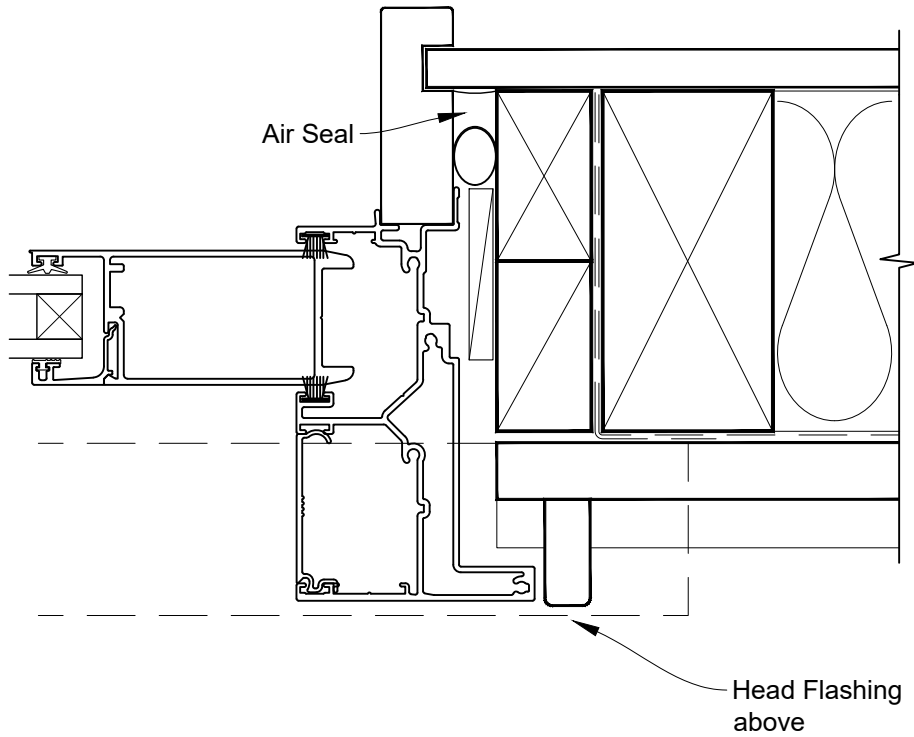


INSTALLATION DETAIL - ALTherm RESIDENTIAL  
TWIN SLIDER DOOR ON BEVELBACK WEATHERBOARD  
DIRECT FIXED CONSTRUCTION

Date: 01.04.19

Scale: 1:2

CAD Ref.: ARTSBW-DSJ



**INSTALLATION DETAIL - ALTHERM RESIDENTIAL  
TWIN SLIDER DOOR ON BEVELBACK WEATHERBOARD  
DIRECT FIXED CONSTRUCTION**

Date: 01.04.19

Scale: 1:2

CAD Ref.: ARTSBW-DSS

