

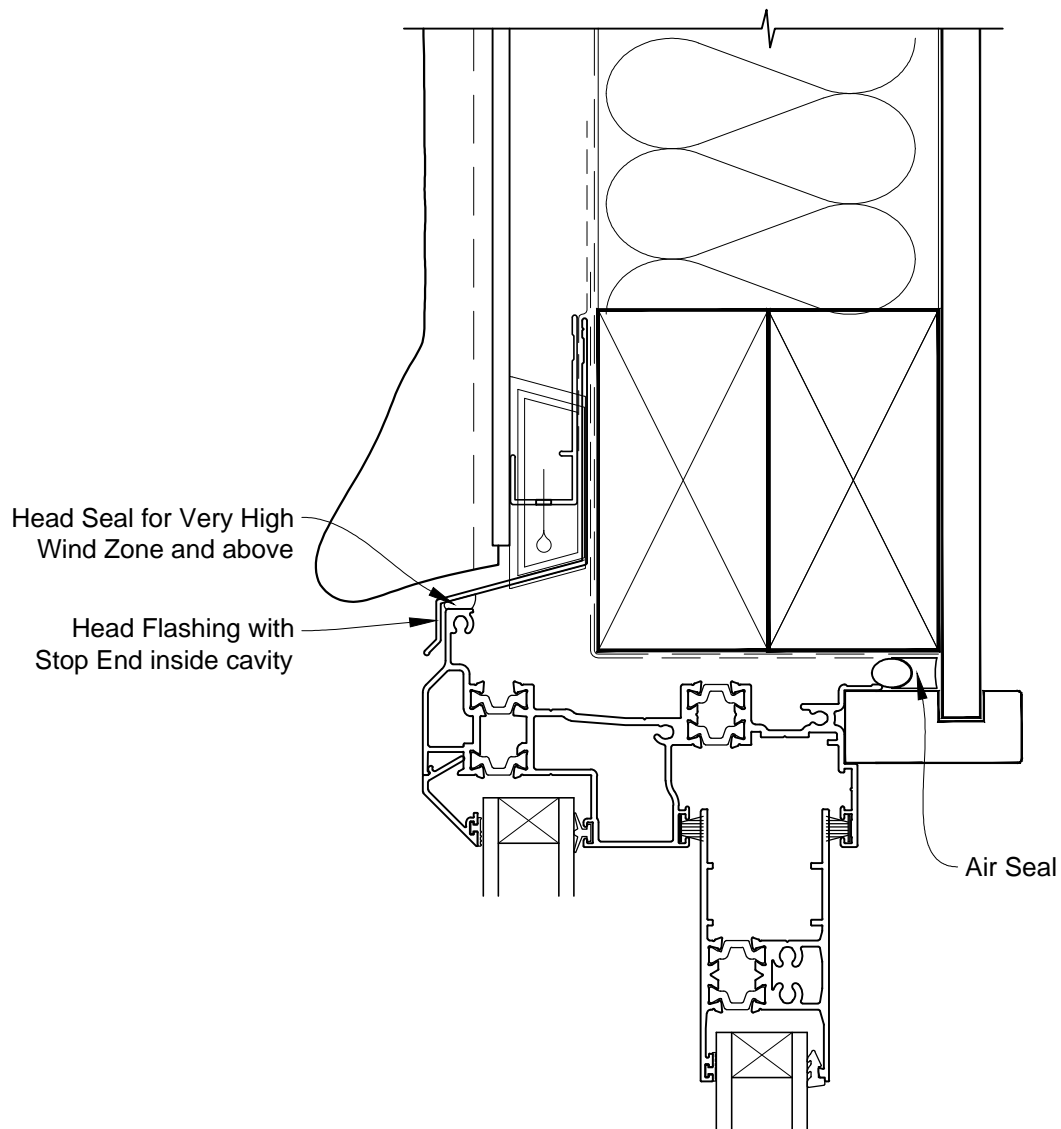


INSTALLATION DETAIL - ALThERM RESIDENTIAL THERMAL HEART - SLIDING WINDOW ON STUCCO CAVITY CONSTRUCTION

Date: 01.03.14

Scale: 1:2

CAD Ref.: ATSWST-CH



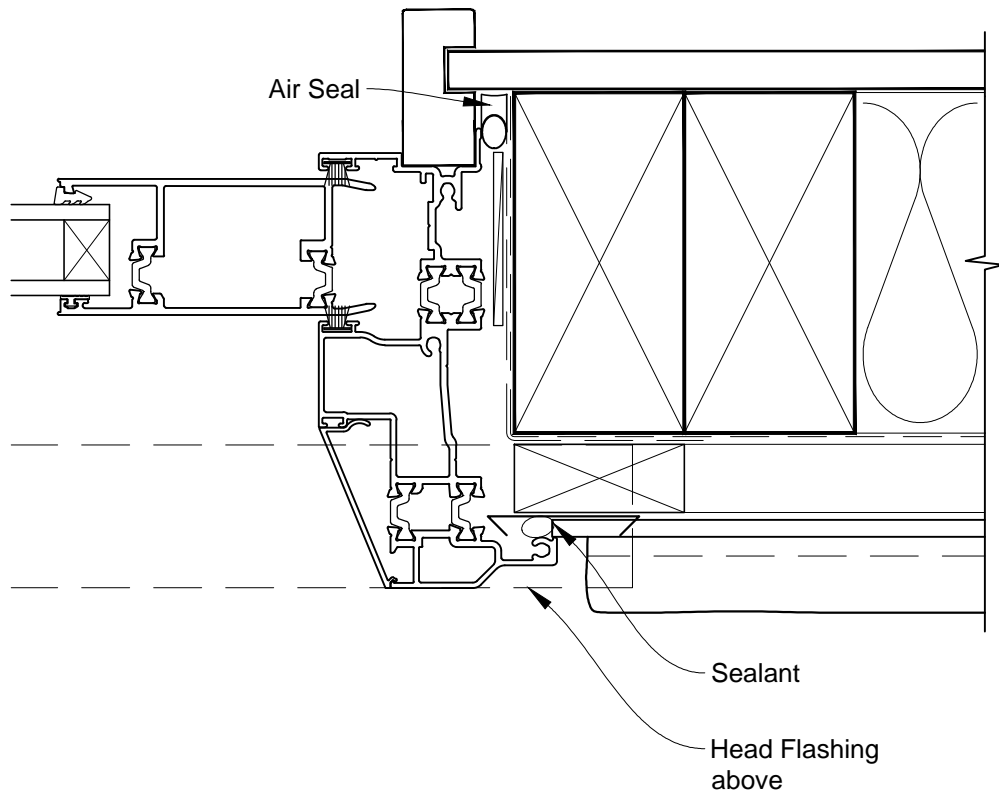


INSTALLATION DETAIL - ALThERM RESIDENTIAL THERMAL HEART - SLIDING WINDOW ON STUCCO CAVITY CONSTRUCTION

Date: 01.03.14

Scale: 1:2

CAD Ref.: ATSWST-CJ



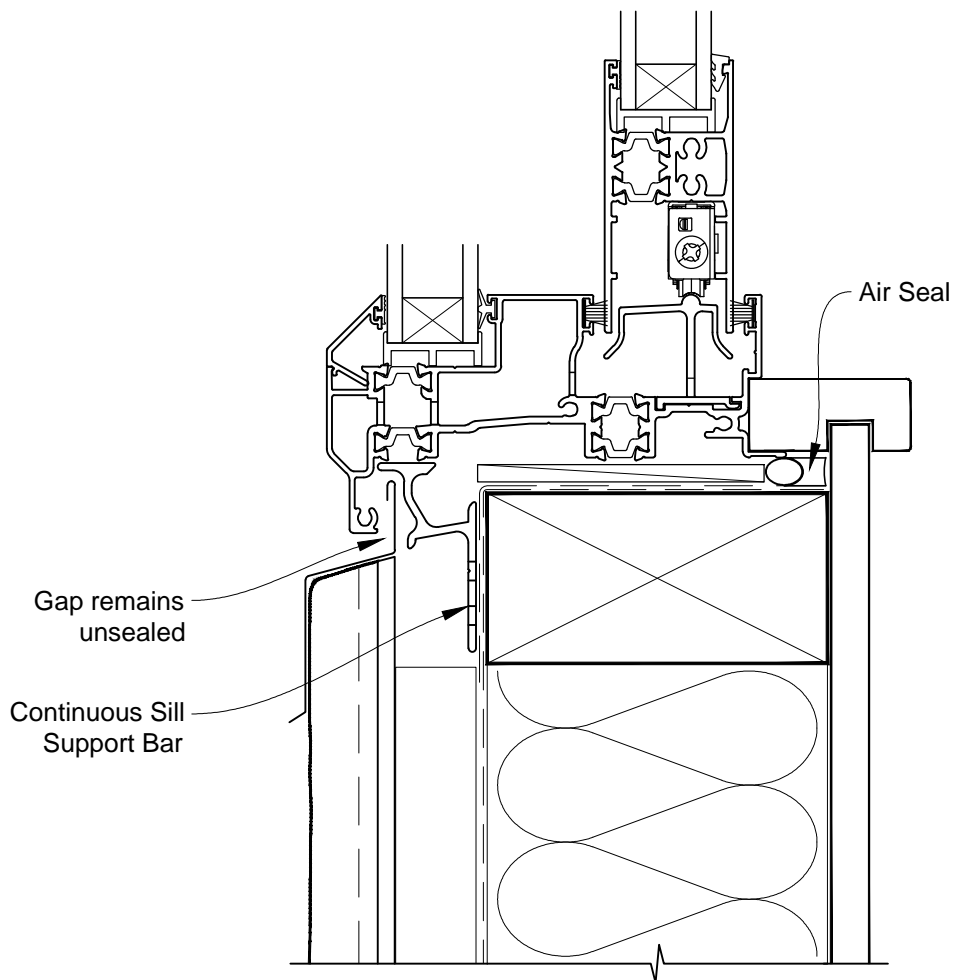


INSTALLATION DETAIL - ALTherm RESIDENTIAL THERMAL HEART - SLIDING WINDOW ON STUCCO CAVITY CONSTRUCTION

Date: 01.03.14

Scale: 1:2

CAD Ref.: ATSWST-CS





INSTALLATION DETAIL - ALTherm RESIDENTIAL THERMAL HEART - SLIDING WINDOW ON STUCCO CAVITY CONSTRUCTION

Date: 01.03.14

Scale: 1:2

CAD Ref.: ATSWST-CS2

