

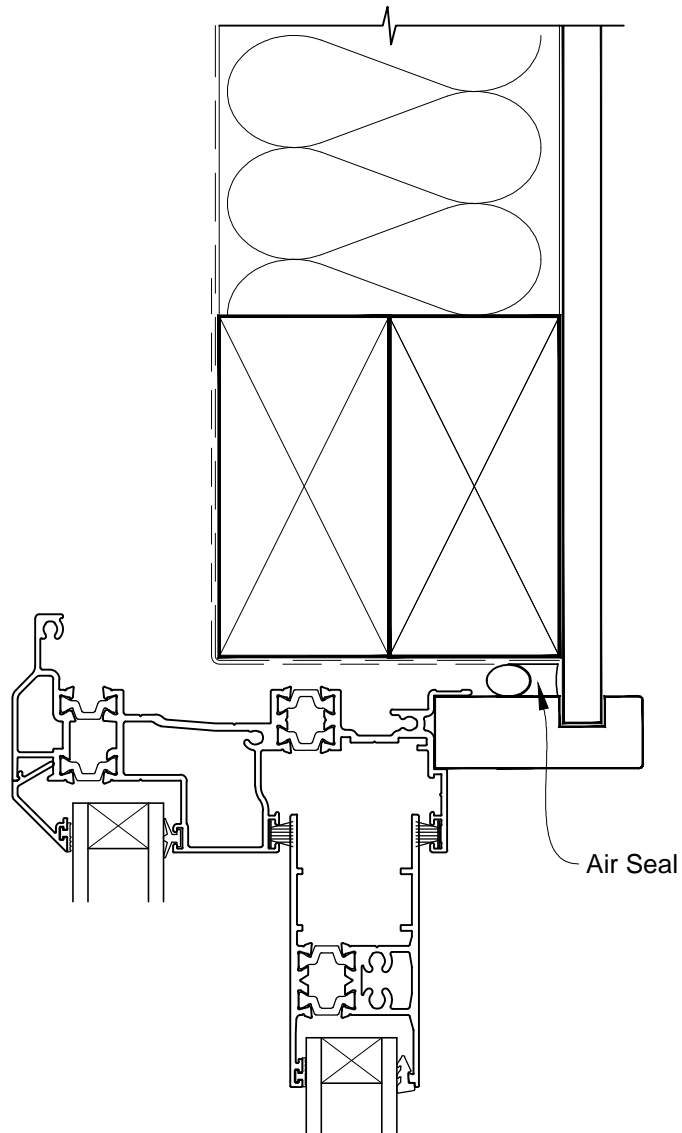


# INSTALLATION DETAIL - ALThERM RESIDENTIAL THERMAL HEART - SLIDING WINDOW ON NO CLADDING CAVITY CONSTRUCTION

Date: 01.03.14

Scale: 1:2

CAD Ref.: ATSWNC-CH



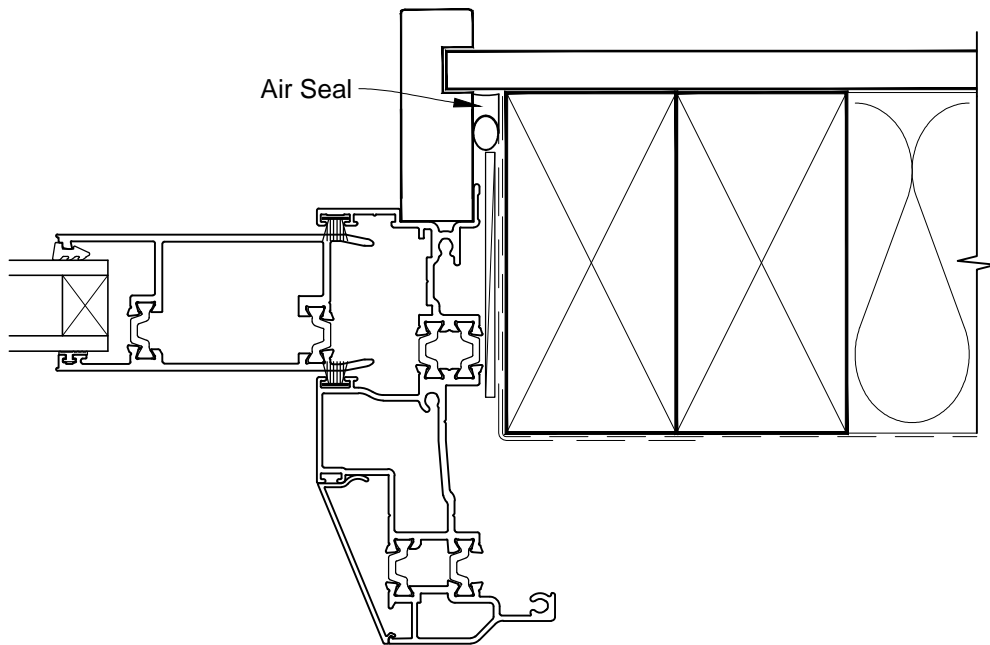


**INSTALLATION DETAIL - ALThERM RESIDENTIAL THERMAL  
HEART - SLIDING WINDOW ON NO CLADDING  
CAVITY CONSTRUCTION**

Date: 01.03.14

Scale: 1:2

CAD Ref.: ATSWNC-CJ



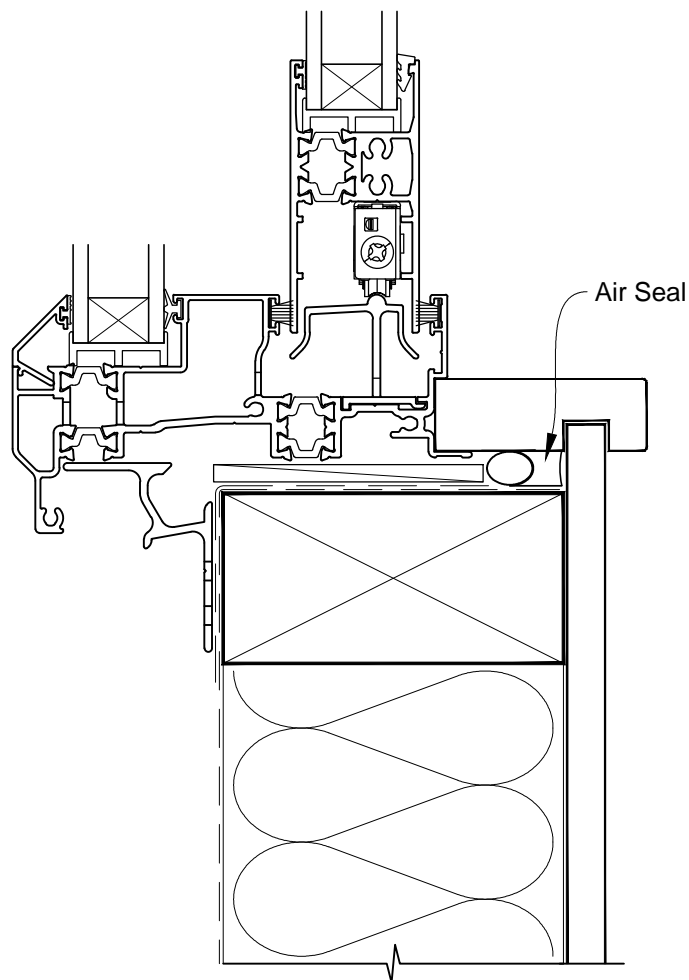


**INSTALLATION DETAIL - ALThERM RESIDENTIAL THERMAL  
HEART - SLIDING WINDOW ON NO CLADDING  
CAVITY CONSTRUCTION**

Date: 01.03.14

Scale: 1:2

CAD Ref.: ATSWNC-CS



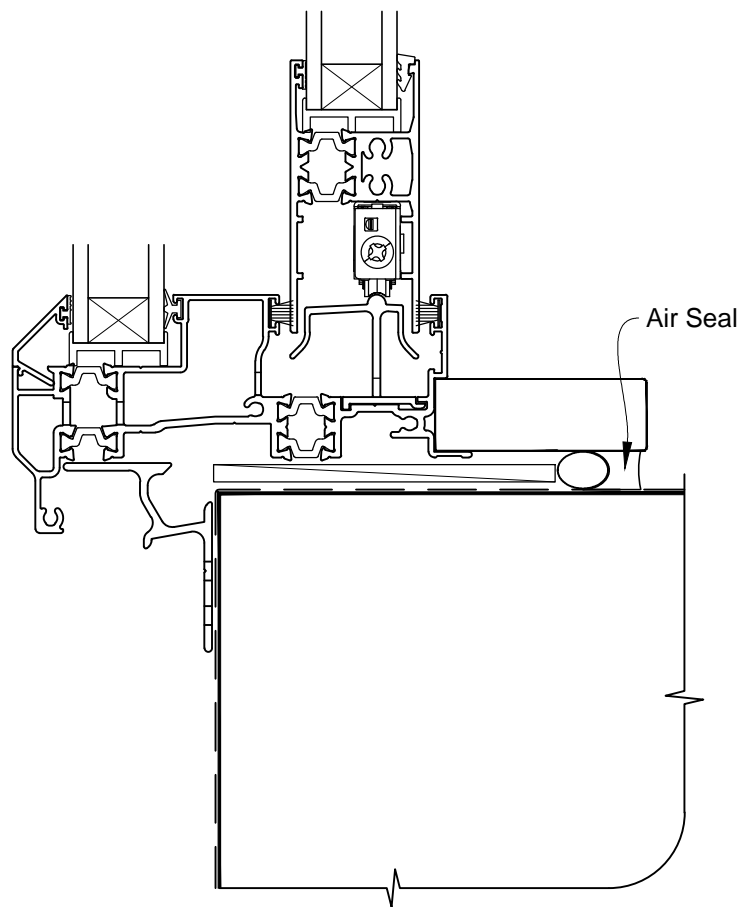


**INSTALLATION DETAIL - ALThERM RESIDENTIAL THERMAL  
HEART - SLIDING WINDOW ON NO CLADDING  
CAVITY CONSTRUCTION**

Date: 01.03.14

Scale: 1:2

CAD Ref.: ATSWNC-CS2



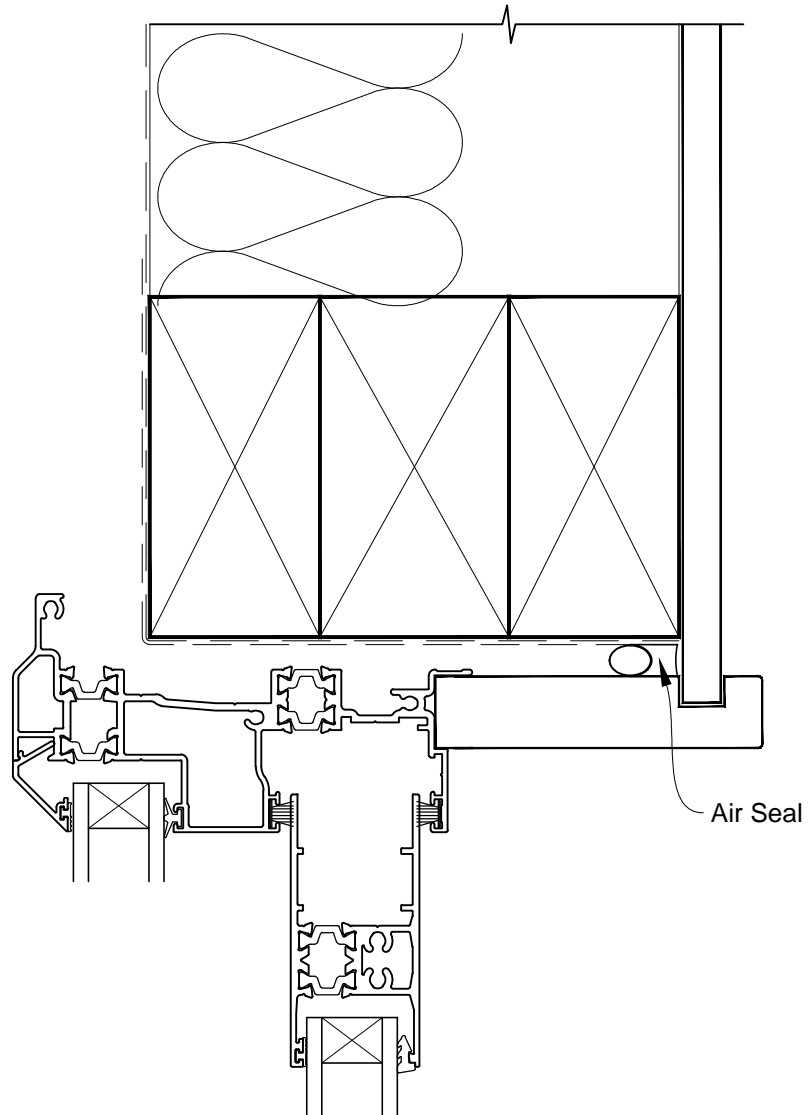


**INSTALLATION DETAIL - ALThERM RESIDENTIAL THERMAL  
HEART - SLIDING WINDOW ON NO CLADDING  
DIRECT FIXED CLADDING**

Date: 01.03.14

Scale: 1:2

CAD Ref.: ATSWNC-DH



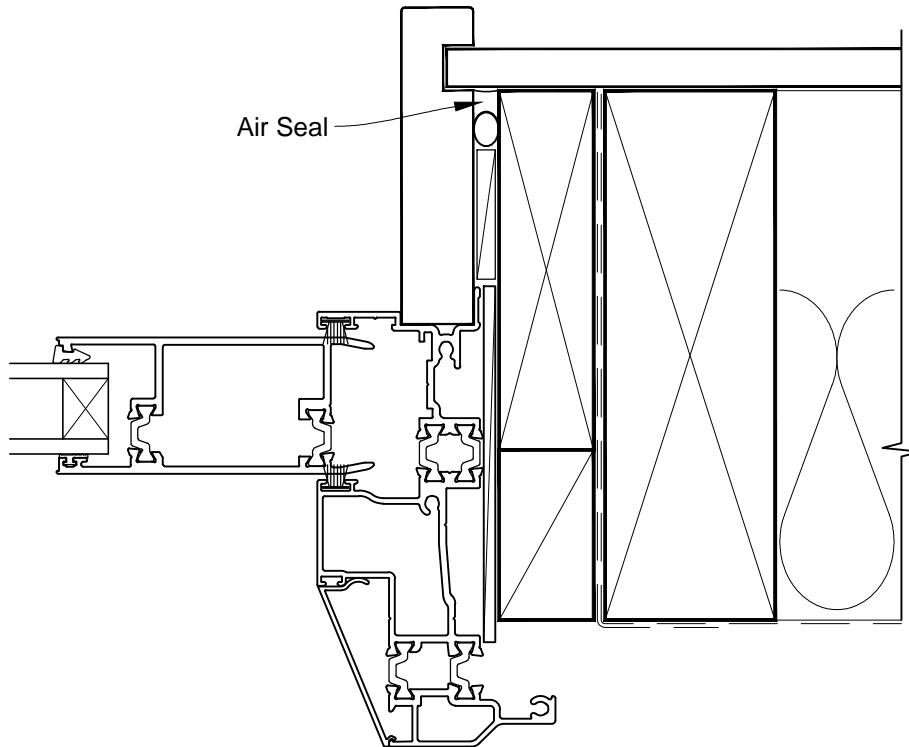


**INSTALLATION DETAIL - ALTherm RESIDENTIAL THERMAL  
HEART - SLIDING WINDOW ON NO CLADDING  
DIRECT FIXED CLADDING**

Date: 01.03.14

Scale: 1:2

CAD Ref.: ATSWNC-DJ



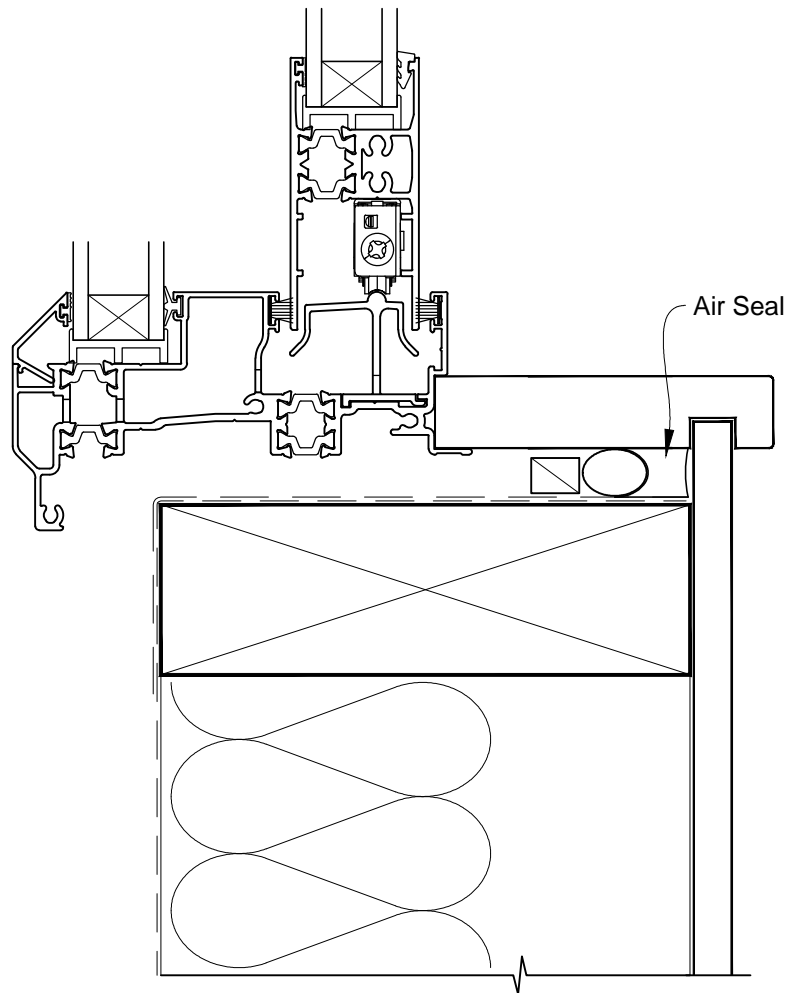


**INSTALLATION DETAIL - ALThERM RESIDENTIAL THERMAL  
HEART - SLIDING WINDOW ON NO CLADDING  
DIRECT FIXED CLADDING**

Date: 01.03.14

Scale: 1:2

CAD Ref.: ATSWNC-DS





**INSTALLATION DETAIL - ALTherm RESIDENTIAL THERMAL  
HEART - SLIDING WINDOW ON NO CLADDING  
DIRECT FIXED CLADDING**

Date: 01.03.14

Scale: 1:2

CAD Ref.: ATSWNC-DS2

