

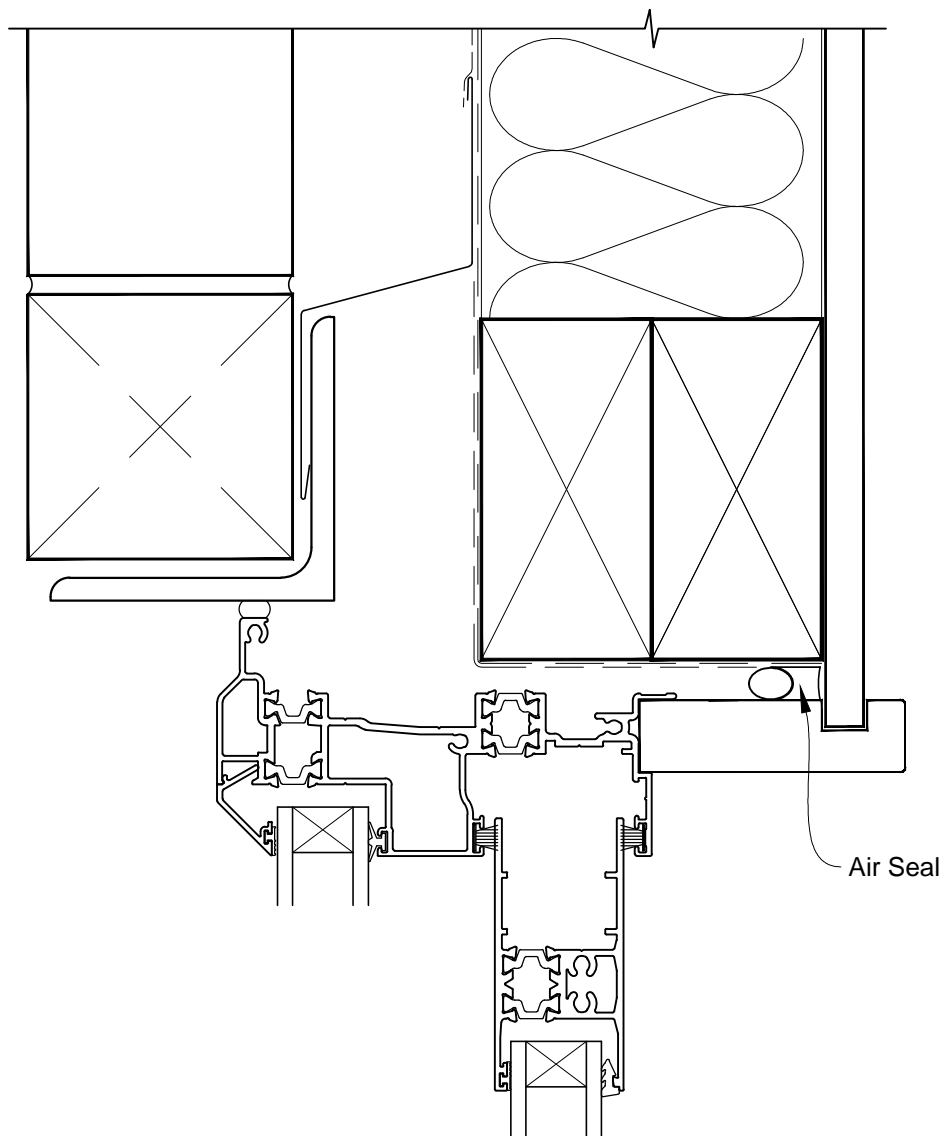


INSTALLATION DETAIL - ALThERM RESIDENTIAL THERMAL HEART - SLIDING WINDOW ON BRICK VENEER CAVITY CONSTRUCTION

Date: 01.03.14

Scale: 1:2

CAD Ref.: ATSWBV-CH



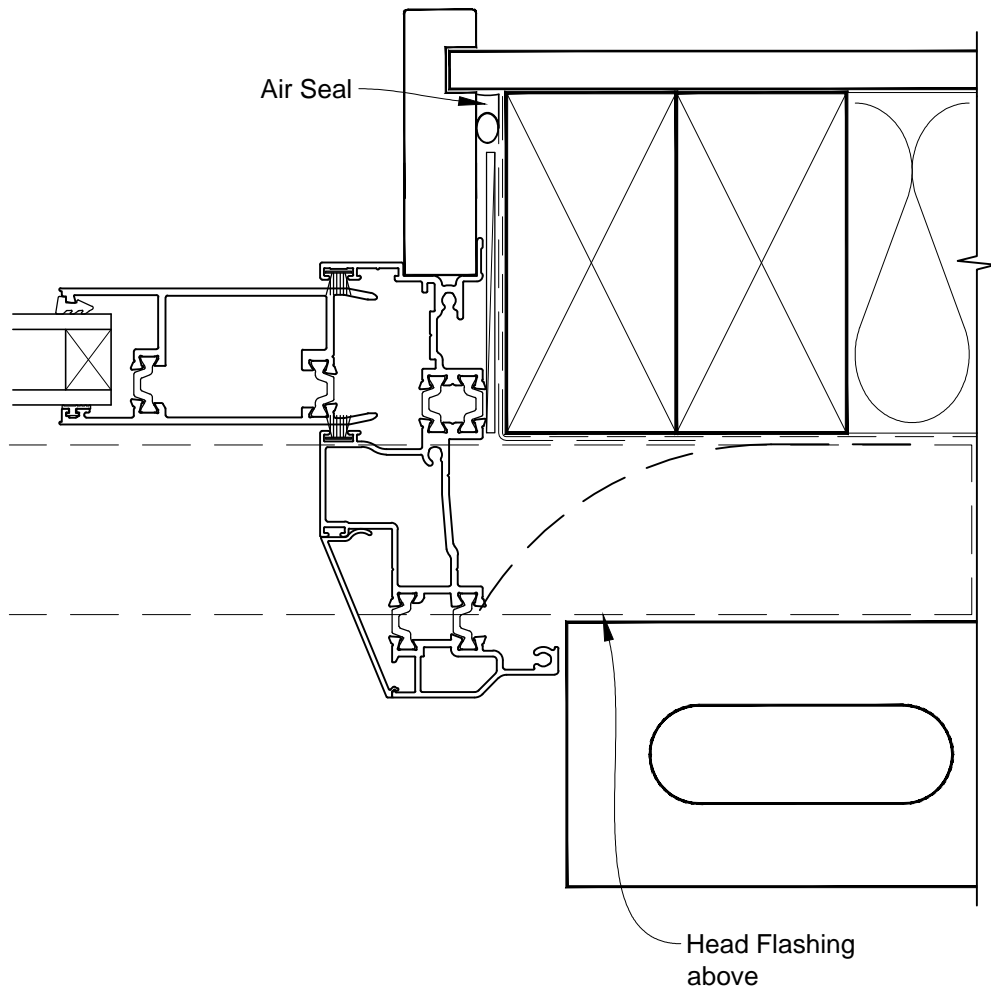


INSTALLATION DETAIL - ALThERM RESIDENTIAL THERMAL HEART - SLIDING WINDOW ON BRICK VENEER CAVITY CONSTRUCTION

Date: 01.03.14

Scale: 1:2

CAD Ref.: ATSWBV-CJ



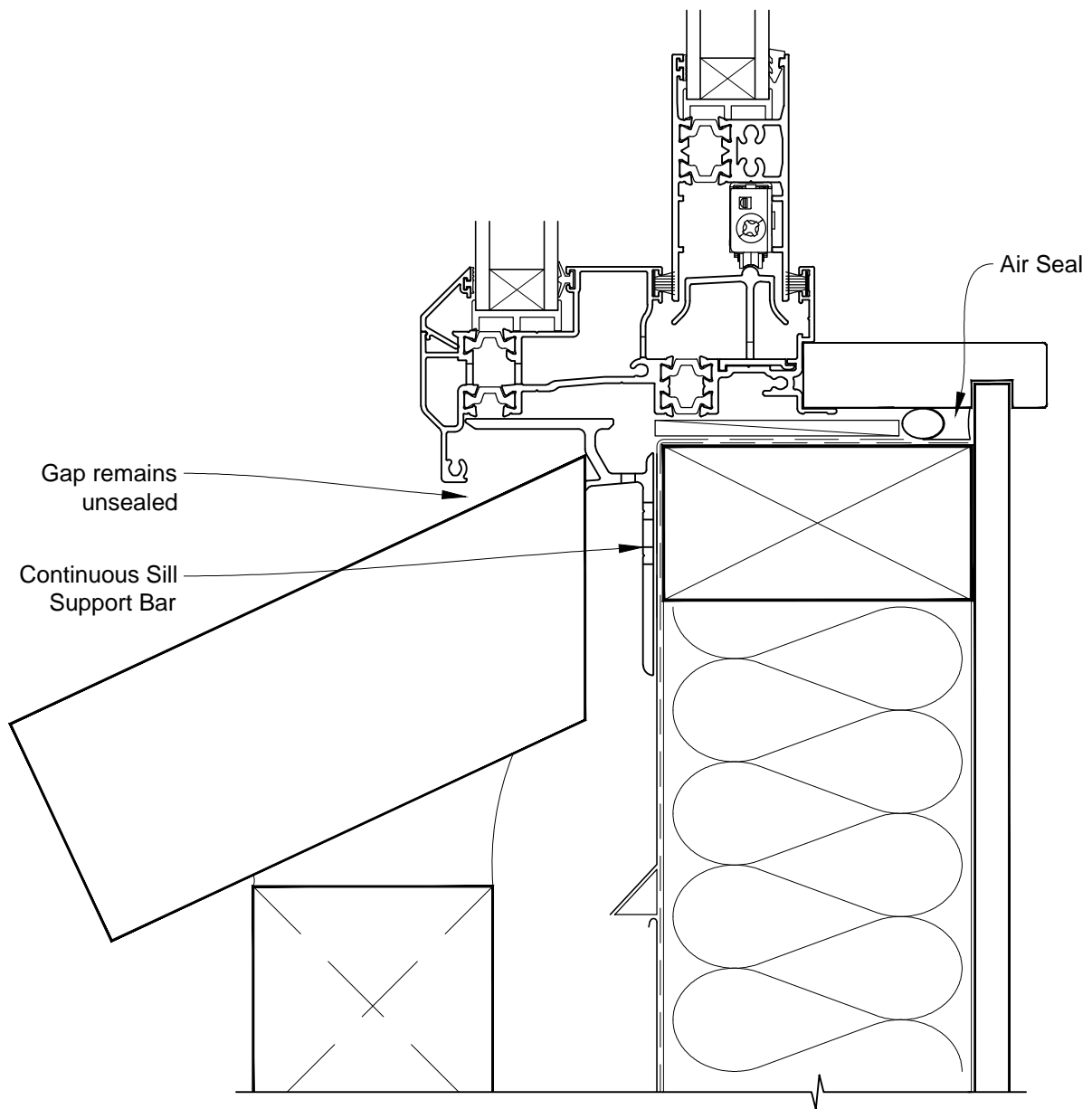


INSTALLATION DETAIL - ALThERM RESIDENTIAL THERMAL HEART - SLIDING WINDOW ON BRICK VENEER CAVITY CONSTRUCTION

Date: 01.03.14

Scale: 1:2

CAD Ref.: ATSWBV-CS





INSTALLATION DETAIL - ALTherm RESIDENTIAL THERMAL HEART - SLIDING WINDOW ON BRICK VENEER CAVITY CONSTRUCTION

Date: 01.03.14

Scale: 1:2

CAD Ref.: ATSWBV-CS2

