

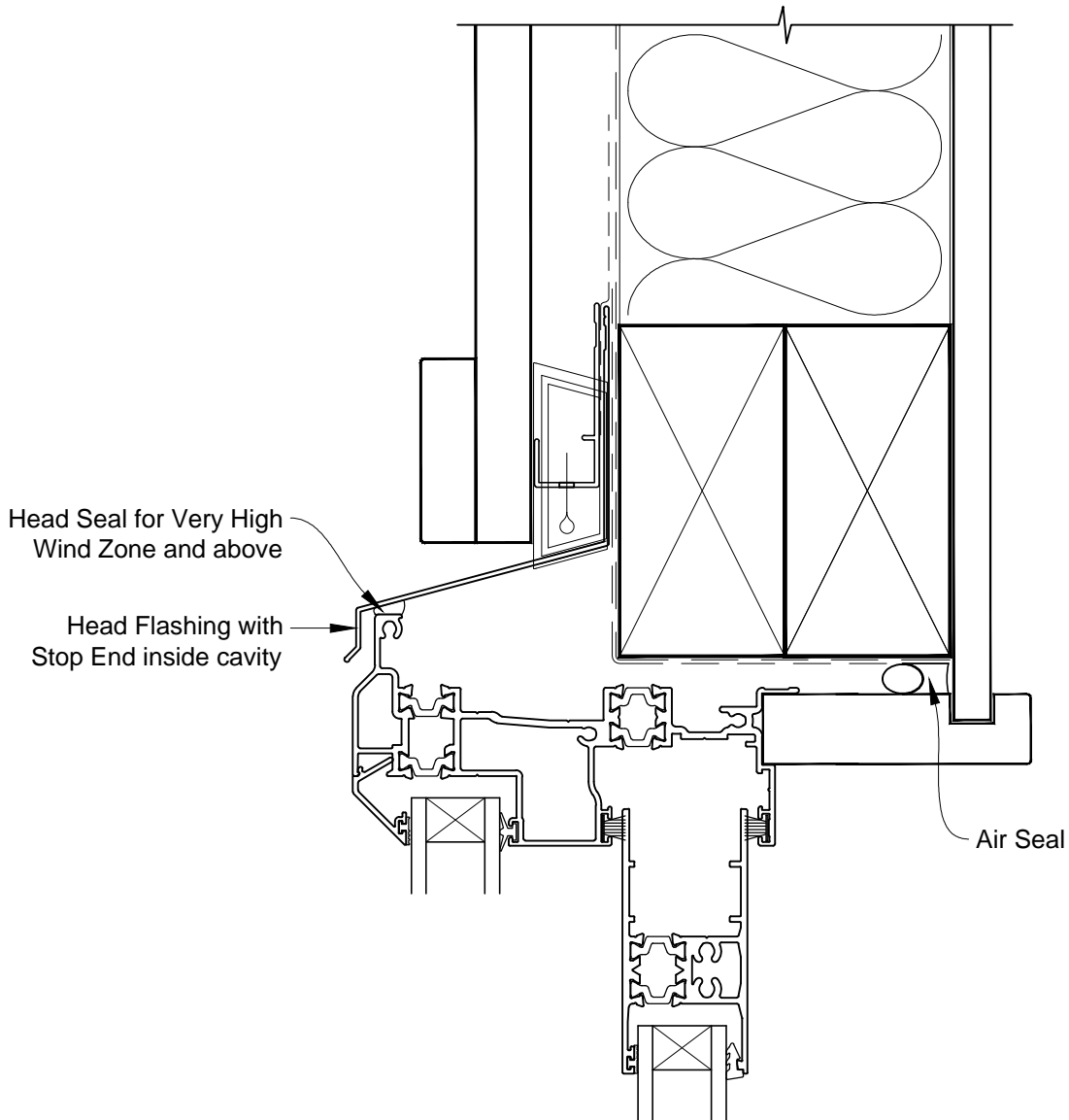


INSTALLATION DETAIL - ALTherm RESIDENTIAL THERMAL HEART - SLIDING WINDOW ON BOARD & BATTEN CAVITY CONSTRUCTION

Date: 01.03.14

Scale: 1:2

CAD Ref.: ATSWBB-CH



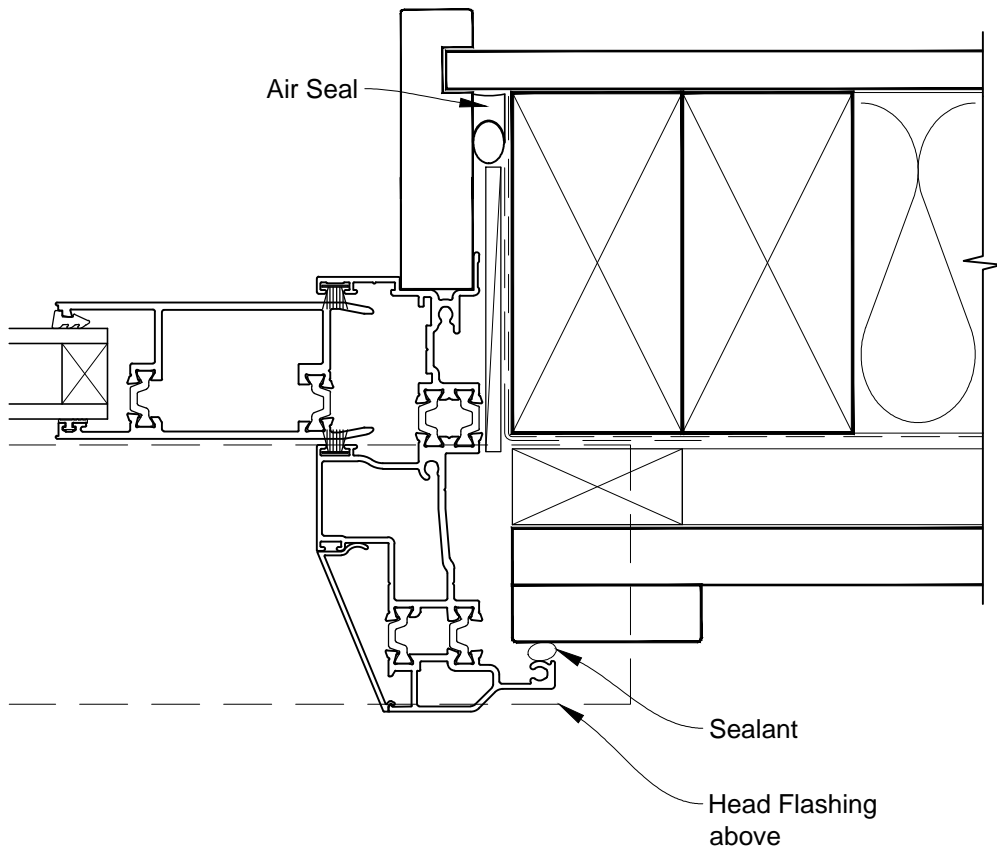


INSTALLATION DETAIL - ALThERM RESIDENTIAL THERMAL HEART - SLIDING WINDOW ON BOARD & BATTEN CAVITY CONSTRUCTION

Date: 01.03.14

Scale: 1:2

CAD Ref.: ATSWBB-CJ



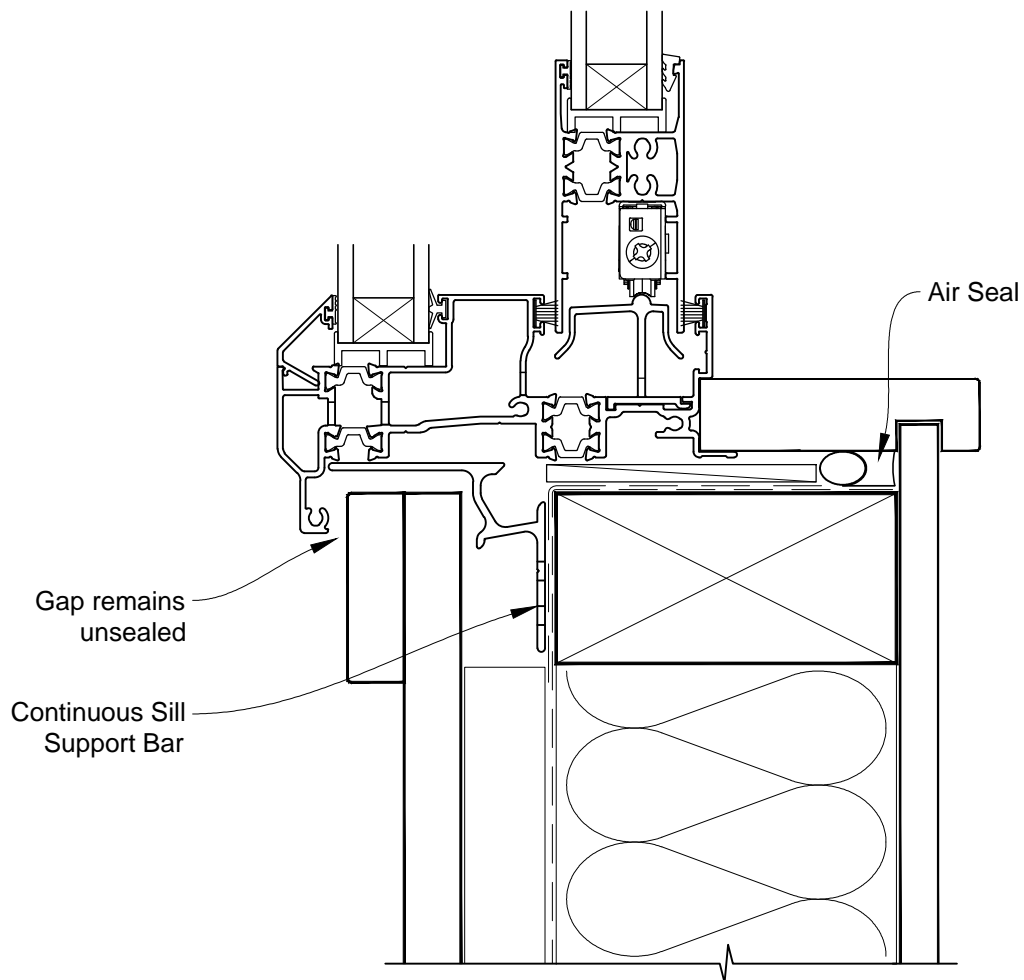


INSTALLATION DETAIL - ALThERM RESIDENTIAL THERMAL HEART - SLIDING WINDOW ON BOARD & BATTEN CAVITY CONSTRUCTION

Date: 01.03.14

Scale: 1:2

CAD Ref.: ATSWBB-CS



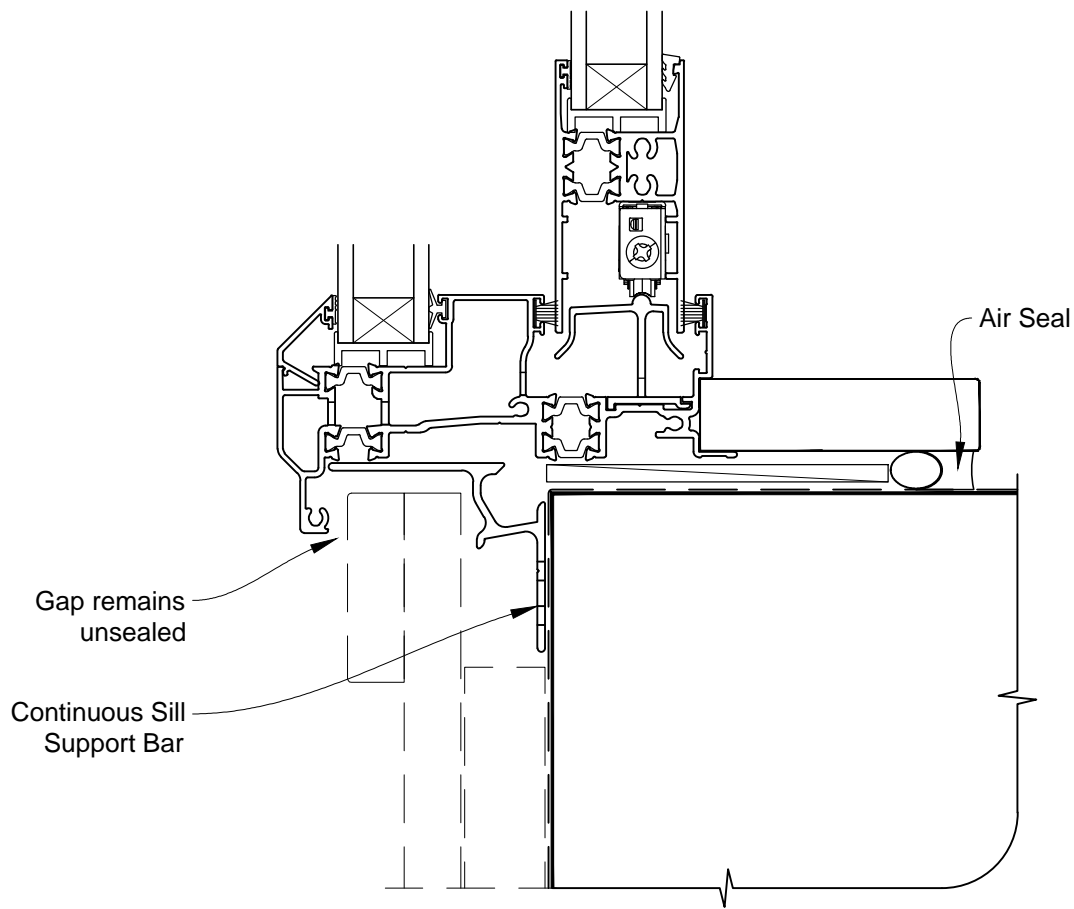


INSTALLATION DETAIL - ALThERM RESIDENTIAL THERMAL HEART - SLIDING WINDOW ON BOARD & BATTEN CAVITY CONSTRUCTION

Date: 01.03.14

Scale: 1:2

CAD Ref.: ATSWBB-CS2



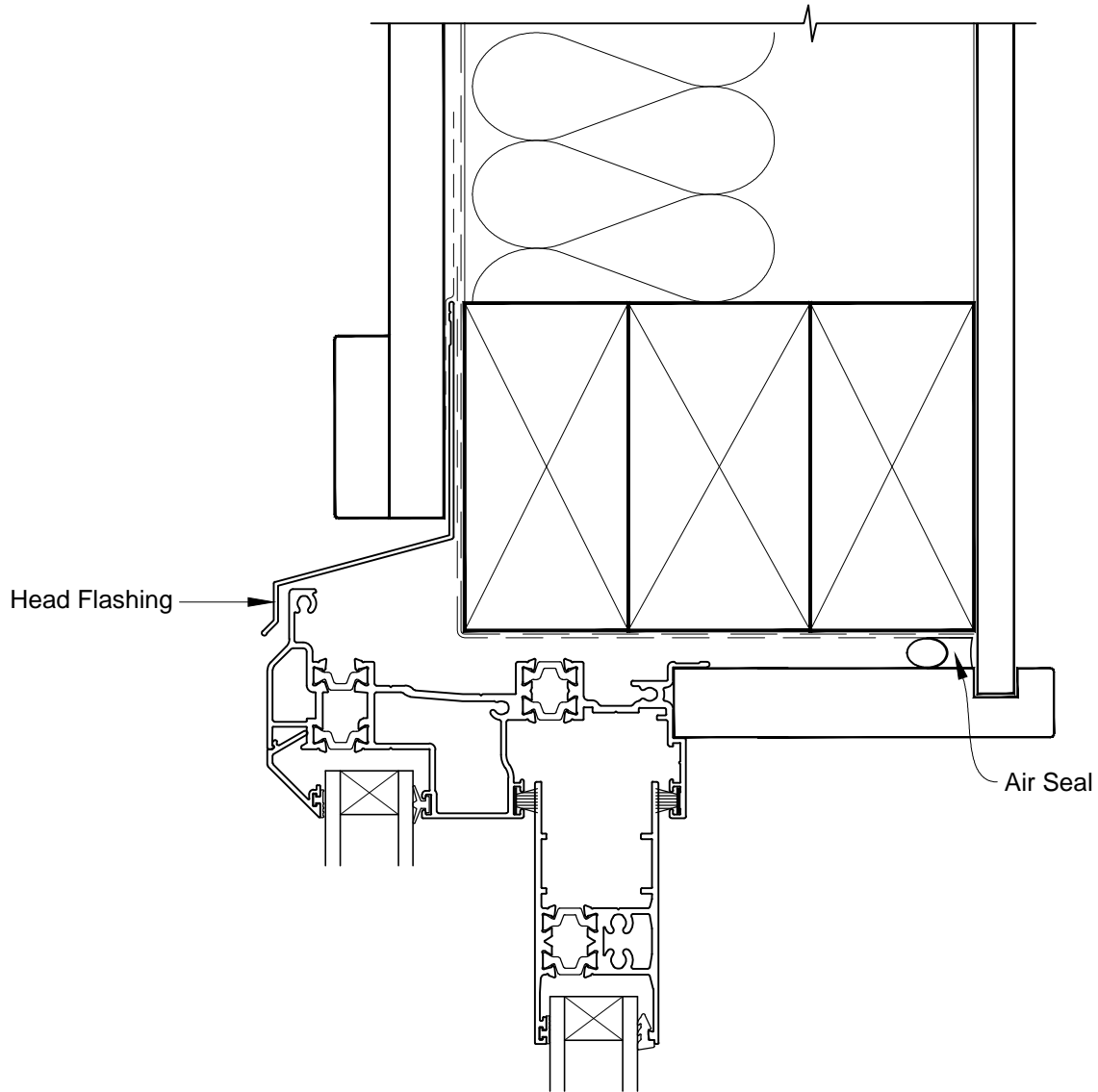


INSTALLATION DETAIL - ALThERM RESIDENTIAL THERMAL HEART - SLIDING WINDOW ON BOARD & BATTEN DIRECT FIXED CLADDING

Date: 01.03.14

Scale: 1:2

CAD Ref.: ATSWBB-DH



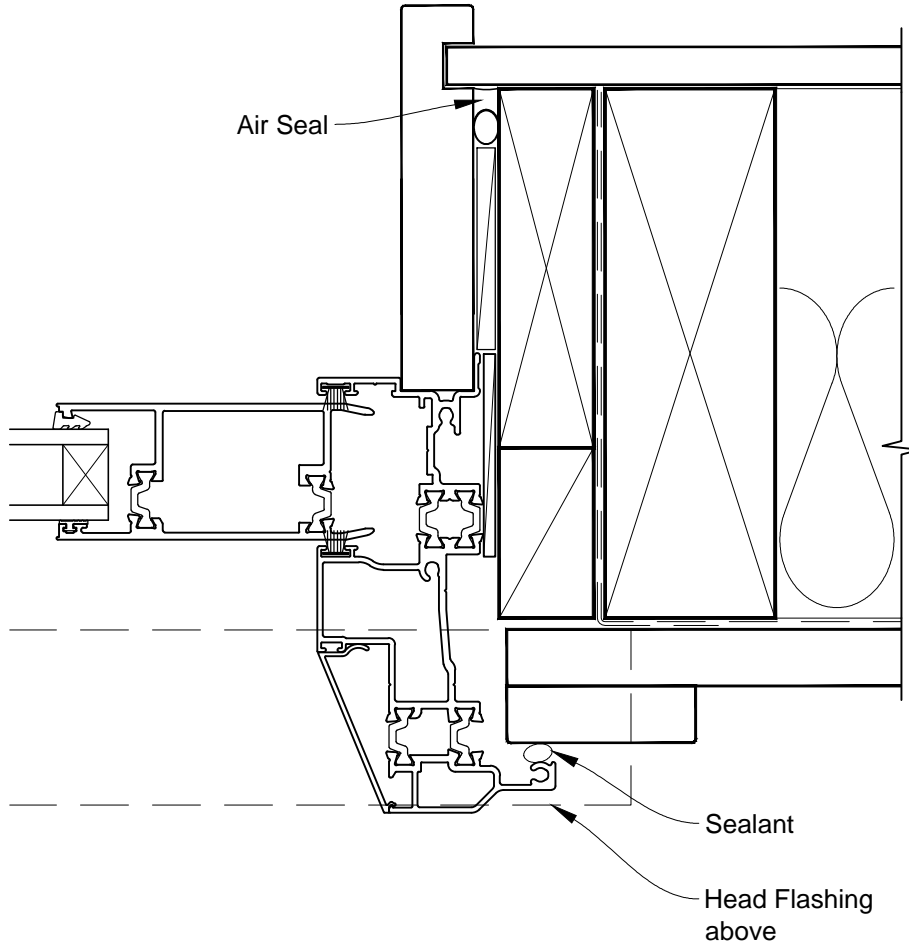


**INSTALLATION DETAIL - ALThERM RESIDENTIAL THERMAL
HEART - SLIDING WINDOW ON BOARD & BATTEN
DIRECT FIXED CLADDING**

Date: 01.03.14

Scale: 1:2

CAD Ref.: ATSWBB-DJ



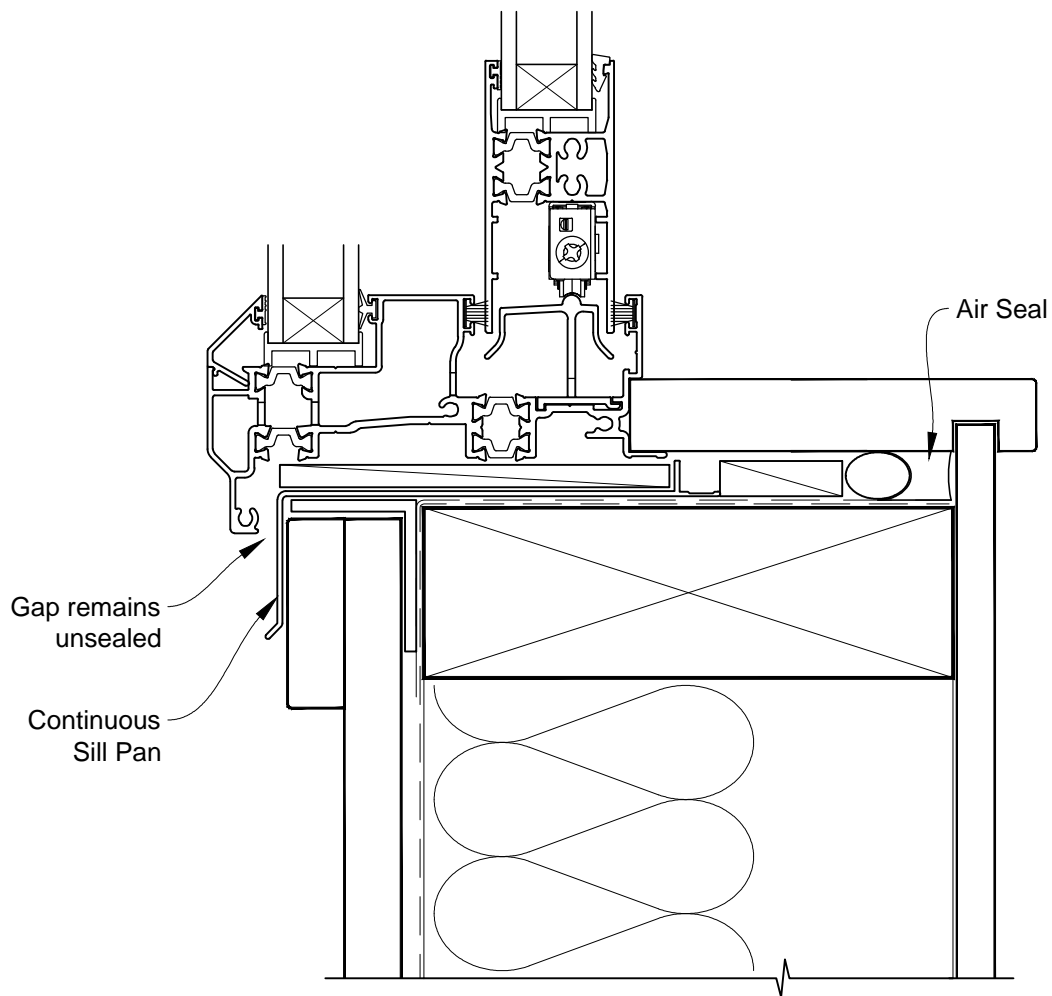


INSTALLATION DETAIL - ALThERM RESIDENTIAL THERMAL HEART - SLIDING WINDOW ON BOARD & BATTEN DIRECT FIXED CLADDING

Date: 01.03.14

Scale: 1:2

CAD Ref.: ATSWBB-DS





INSTALLATION DETAIL - ALThERM RESIDENTIAL THERMAL HEART - SLIDING WINDOW ON BOARD & BATTEN DIRECT FIXED CLADDING

Date: 01.03.14

Scale: 1:2

CAD Ref.: ATSWBB-DS2

