

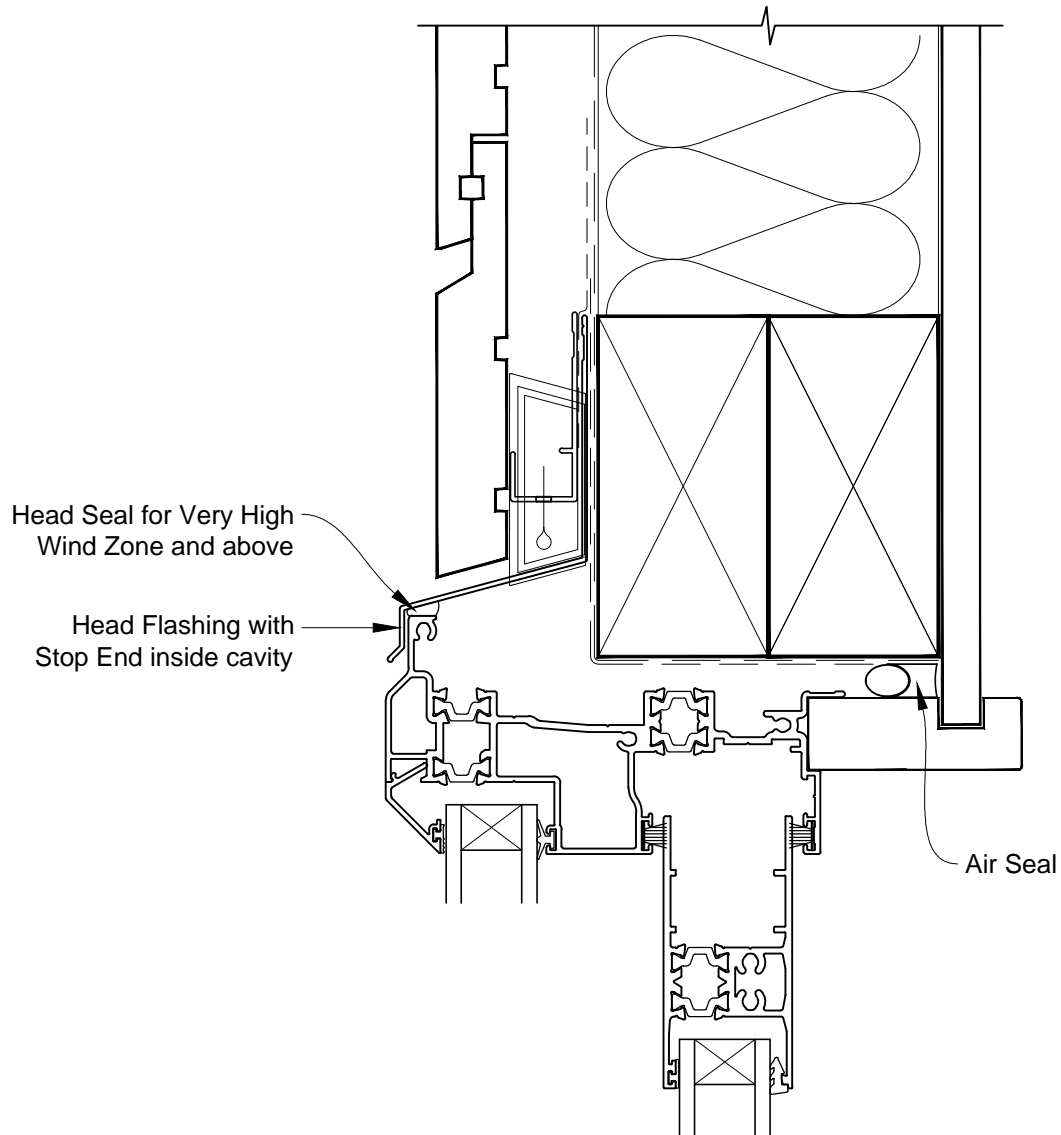


INSTALLATION DETAIL - ALThERM RESIDENTIAL THERMAL HEART - SLIDING DOOR ON RUSTICATED WEATHERBOARD CAVITY CONSTRUCTION

Date: 01.03.14

Scale: 1:2

CAD Ref.: ATSDRW-CH



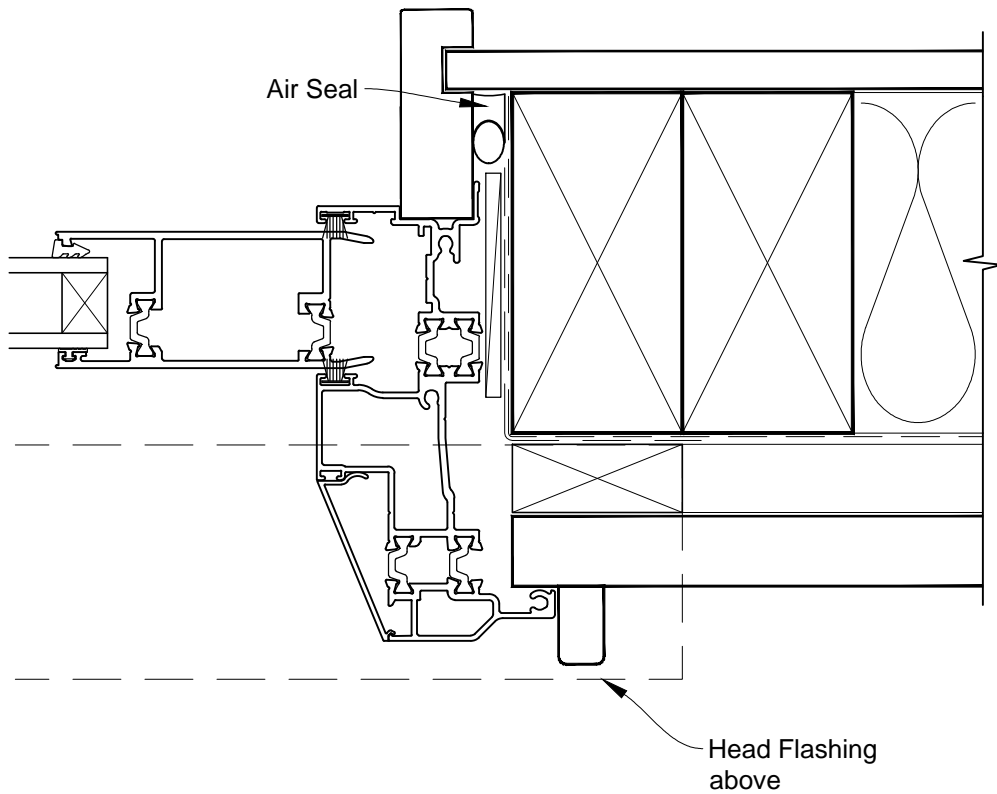


INSTALLATION DETAIL - ALThERM RESIDENTIAL THERMAL HEART - SLIDING DOOR ON RUSTICATED WEATHERBOARD CAVITY CONSTRUCTION

Date: 01.03.14

Scale: 1:2

CAD Ref.: ATSDRW-CJ



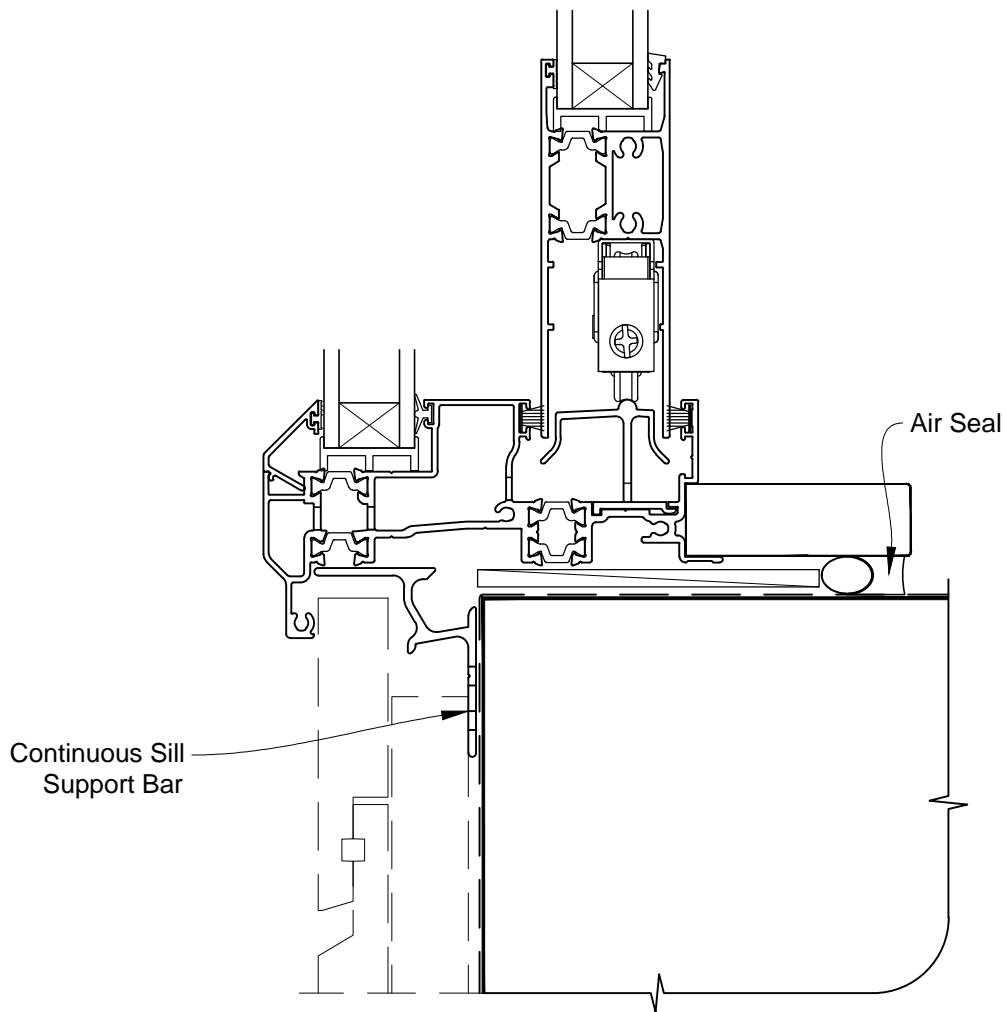


INSTALLATION DETAIL - ALTherm RESIDENTIAL THERMAL HEART - SLIDING DOOR ON RUSTICATED WEATHERBOARD CAVITY CONSTRUCTION

Date: 01.03.14

Scale: 1:2

CAD Ref.: ATSDRW-CS



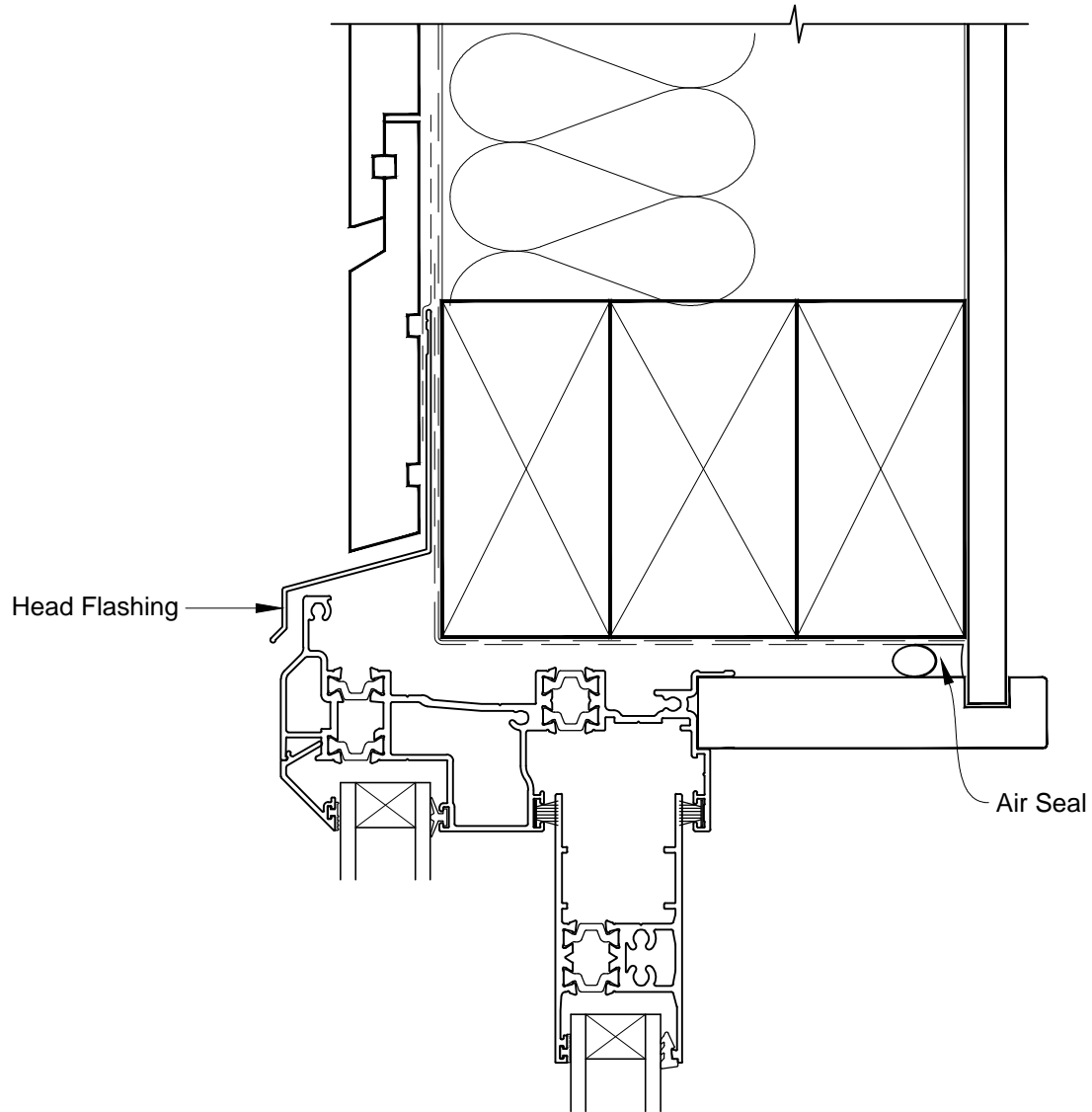


INSTALLATION DETAIL - ALTherm RESIDENTIAL THERMAL HEART - SLIDING DOOR ON RUSTICATED WEATHERBOARD DIRECT FIXED CLADDING

Date: 01.03.14

Scale: 1:2

CAD Ref.: ATSDRW-DH



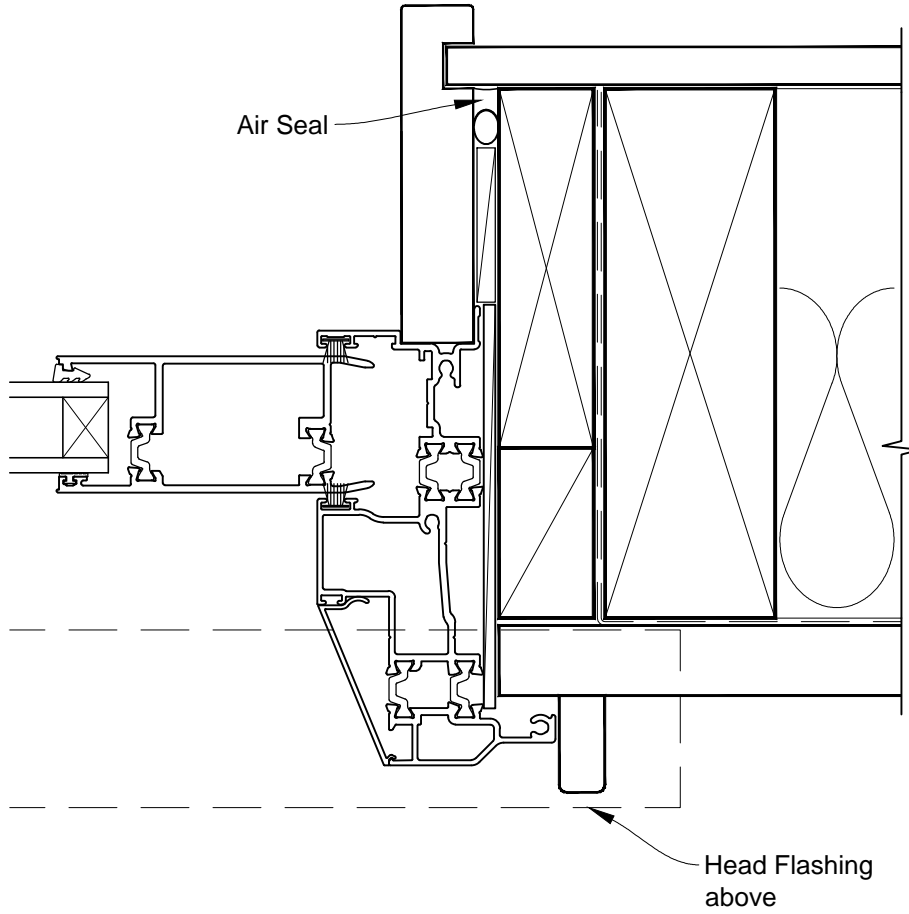


INSTALLATION DETAIL - ALThERM RESIDENTIAL THERMAL HEART - SLIDING DOOR ON RUSTICATED WEATHERBOARD DIRECT FIXED CLADDING

Date: 01.03.14

Scale: 1:2

CAD Ref.: ATSDRW-DJ





INSTALLATION DETAIL - ALTherm RESIDENTIAL THERMAL HEART - SLIDING DOOR ON RUSTICATED WEATHERBOARD DIRECT FIXED CLADDING

Date: 01.03.14

Scale: 1:2

CAD Ref.: ATSDRW-DS

