

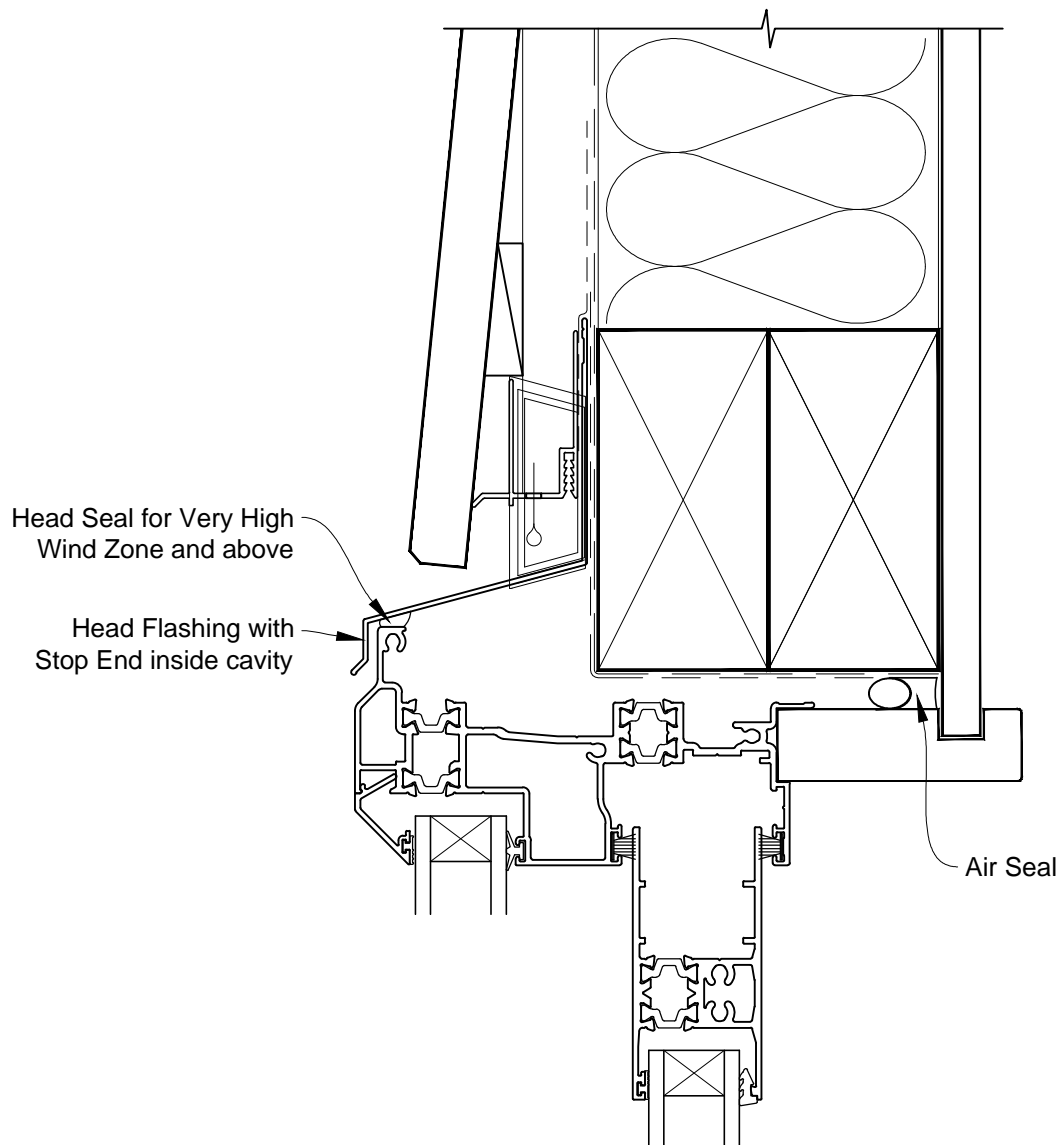


INSTALLATION DETAIL - VANTAGE RESIDENTIAL THERMAL HEART - SLIDING DOOR ON BEVELBACK WEATHERBOARD CAVITY CONSTRUCTION

Date: 01.03.14

Scale: 1:2

CAD Ref.: ATSDBW-CH



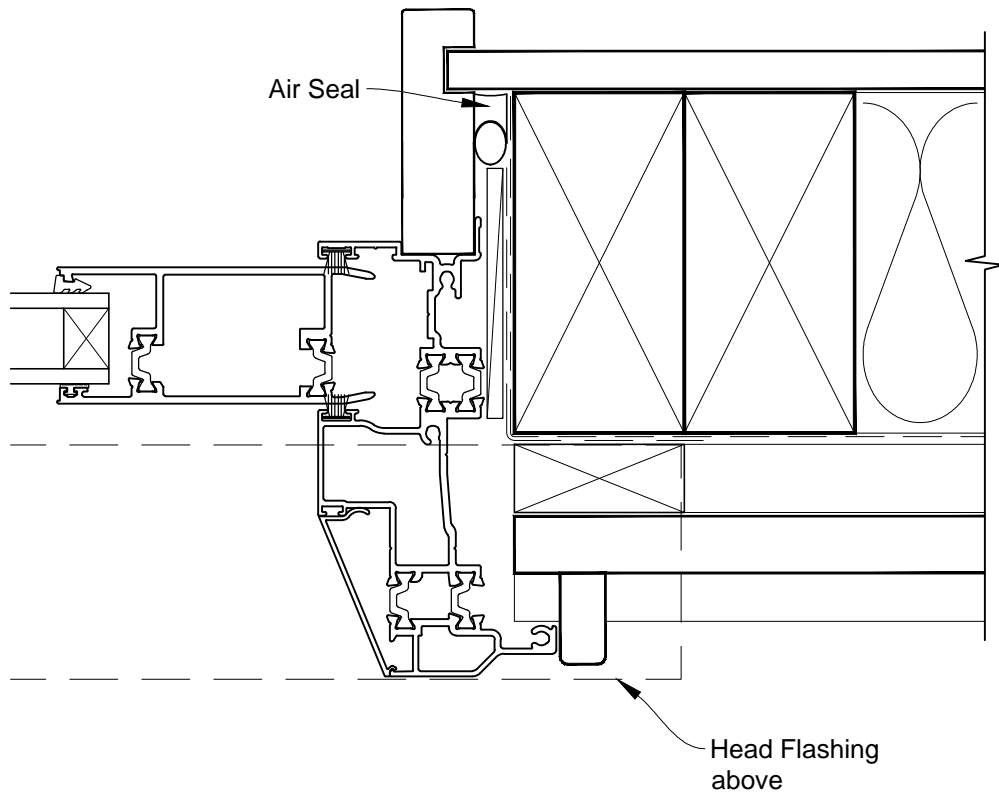


INSTALLATION DETAIL - VANTAGE RESIDENTIAL THERMAL HEART - SLIDING DOOR ON BEVELBACK WEATHERBOARD CAVITY CONSTRUCTION

Date: 01.03.14

Scale: 1:2

CAD Ref.: ATSDBW-CJ



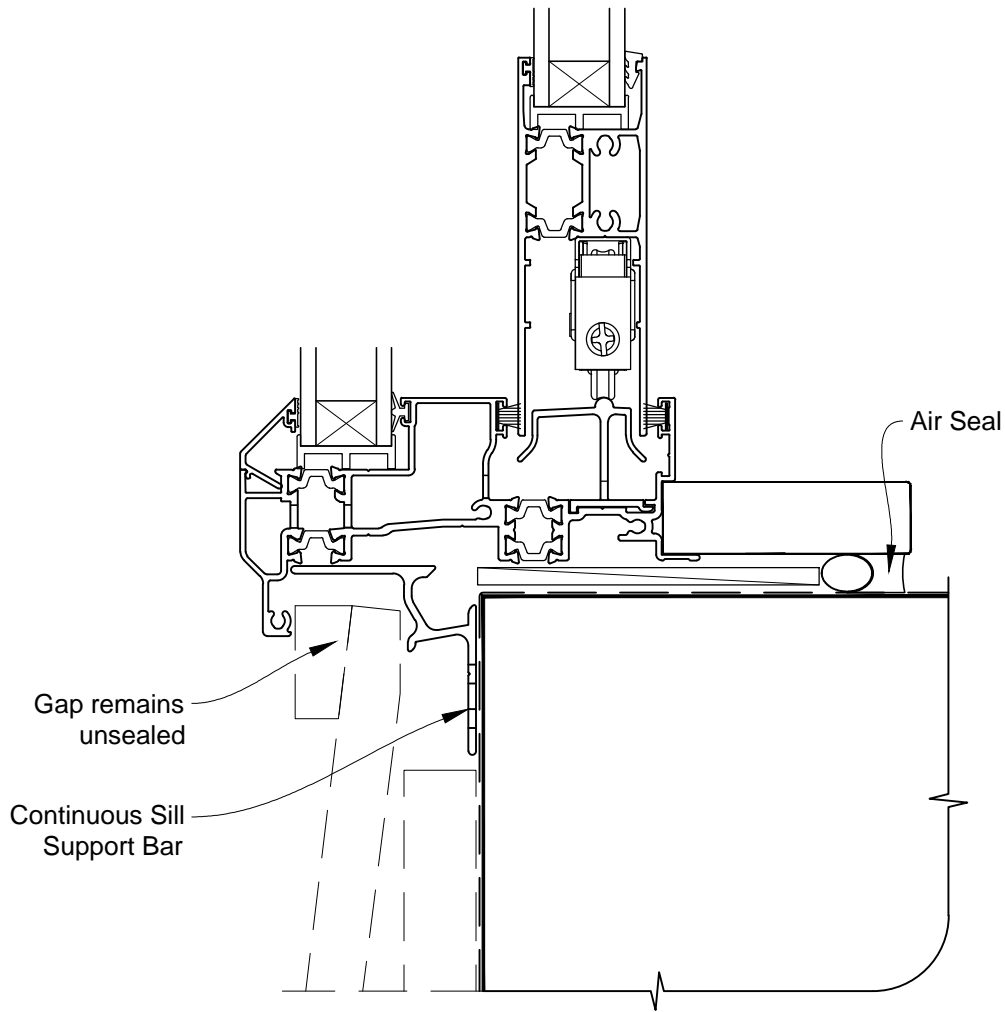


INSTALLATION DETAIL - VANTAGE RESIDENTIAL THERMAL HEART - SLIDING DOOR ON BEVELBACK WEATHERBOARD CAVITY CONSTRUCTION

Date: 01.03.14

Scale: 1:2

CAD Ref.: ATSDBW-CS



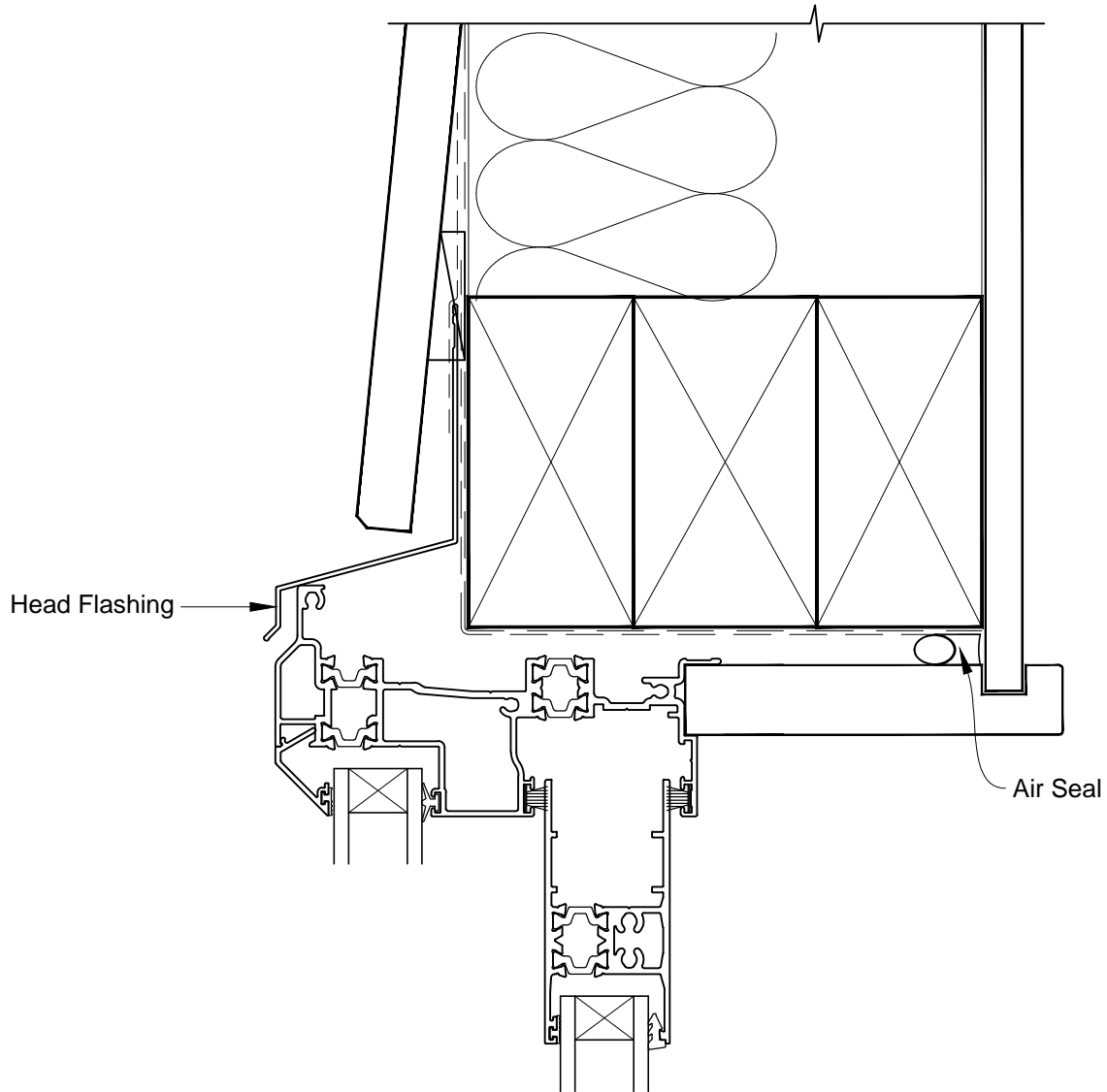


INSTALLATION DETAIL - ALThERM RESIDENTIAL THERMAL HEART - SLIDING DOOR ON BEVELBACK WEATHERBOARD DIRECT FIXED CLADDING

Date: 01.03.14

Scale: 1:2

CAD Ref.: ATSDBW-DH



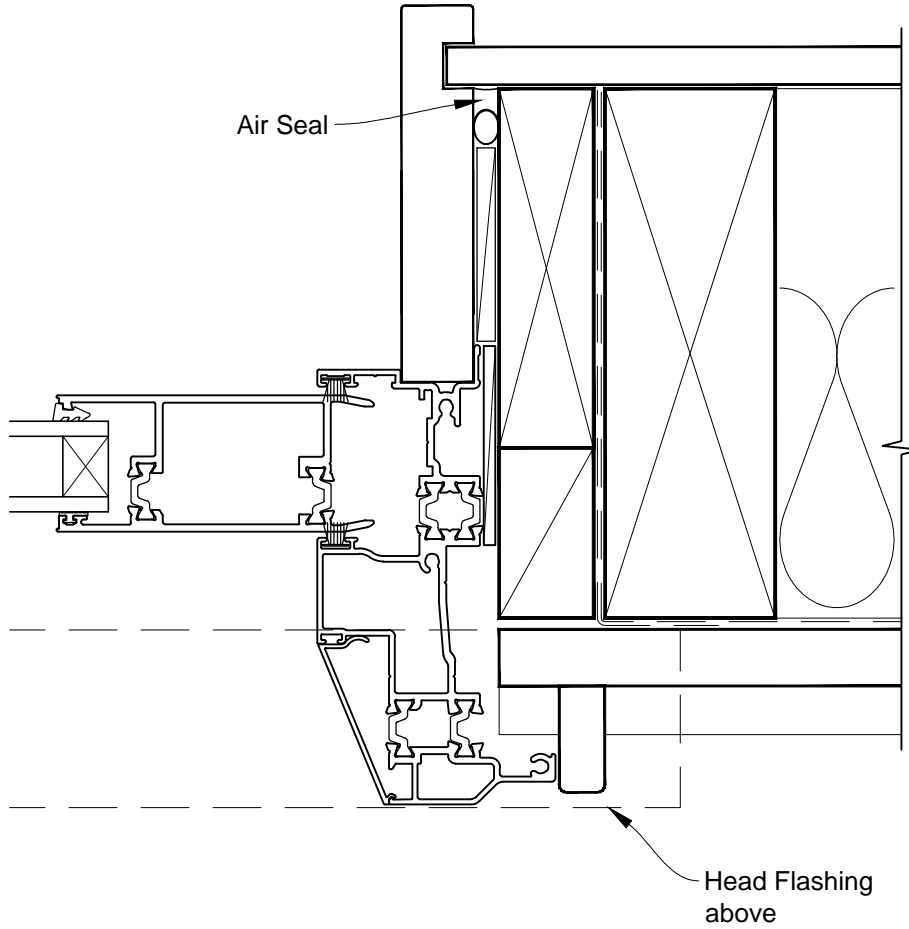


INSTALLATION DETAIL - ALThERM RESIDENTIAL THERMAL HEART - SLIDING DOOR ON BEVELBACK WEATHERBOARD DIRECT FIXED CLADDING

Date: 01.03.14

Scale: 1:2

CAD Ref.: ATSDBW-DJ





INSTALLATION DETAIL - ALThERM RESIDENTIAL THERMAL HEART - SLIDING DOOR ON BEVELBACK WEATHERBOARD DIRECT FIXED CLADDING

Date: 01.03.14

Scale: 1:2

CAD Ref.: ATSDBW-DS

