

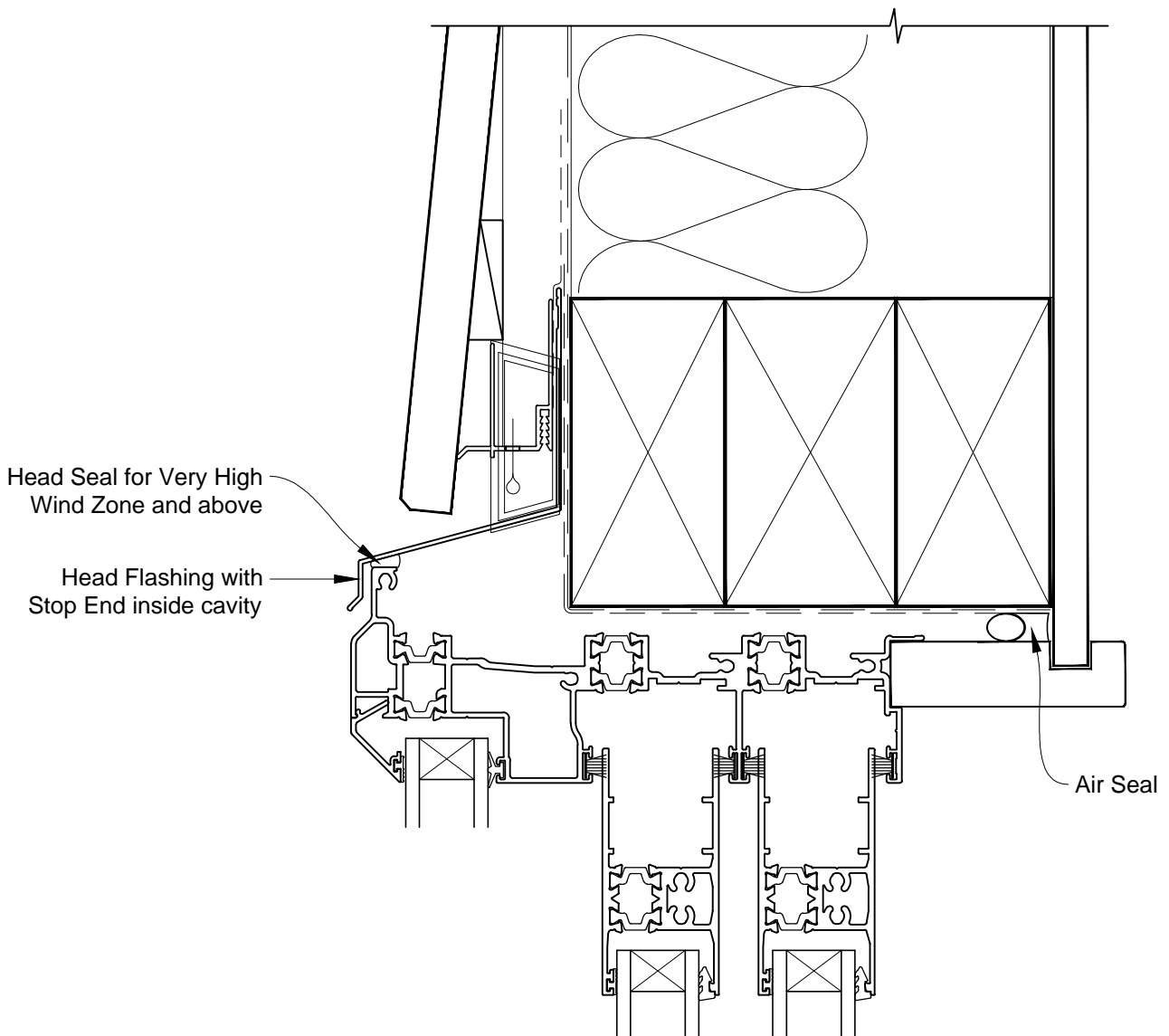


**INSTALLATION DETAIL - ALTherm RESIDENTIAL THERMAL
HEART - MULTISLIDER WINDOW ON BEVELBACK
WEATHERBOARD - CAVITY CONSTRUCTION**

Date: 01.03.14

Scale: 1:2

CAD Ref.: ATMWBW-CH



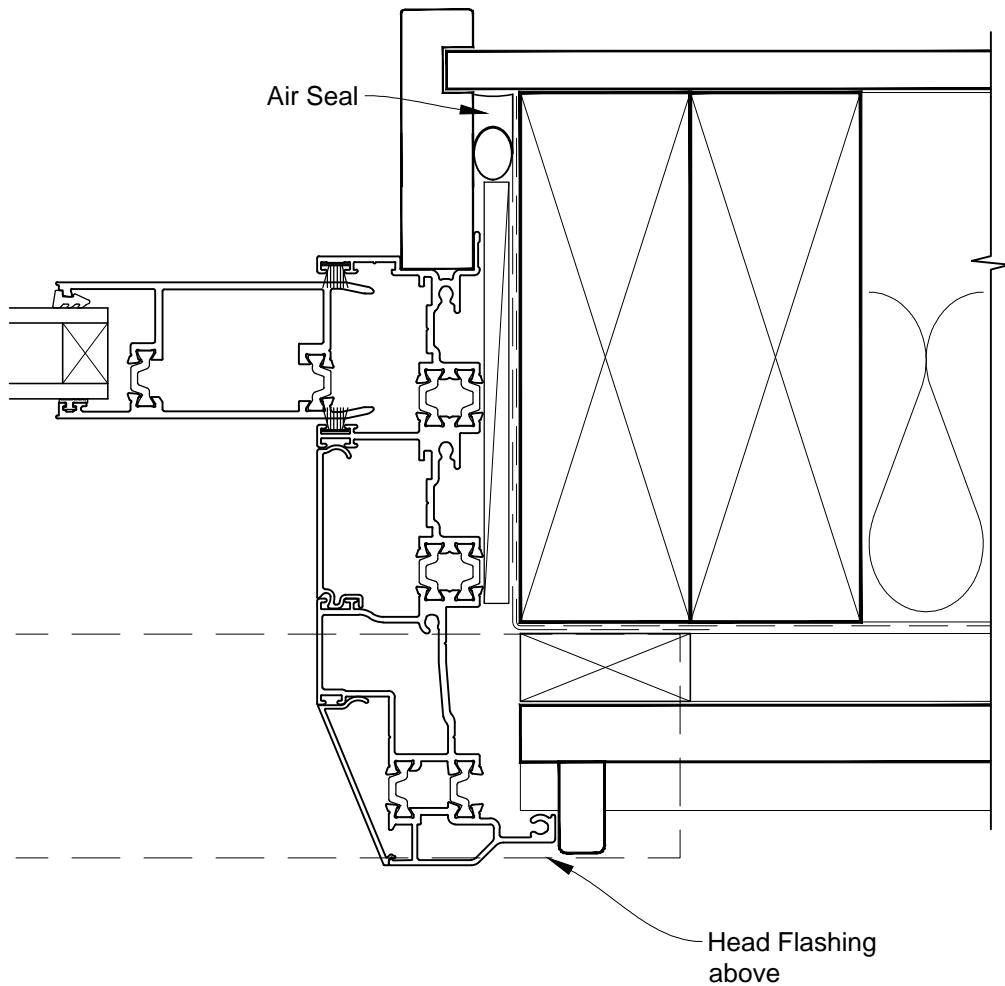


**INSTALLATION DETAIL - ALThERM RESIDENTIAL THERMAL
HEART - MULTISLIDER WINDOW ON BEVELBACK
WEATHERBOARD - CAVITY CONSTRUCTION**

Date: 01.03.14

Scale: 1:2

CAD Ref.: ATMWBW-CJ



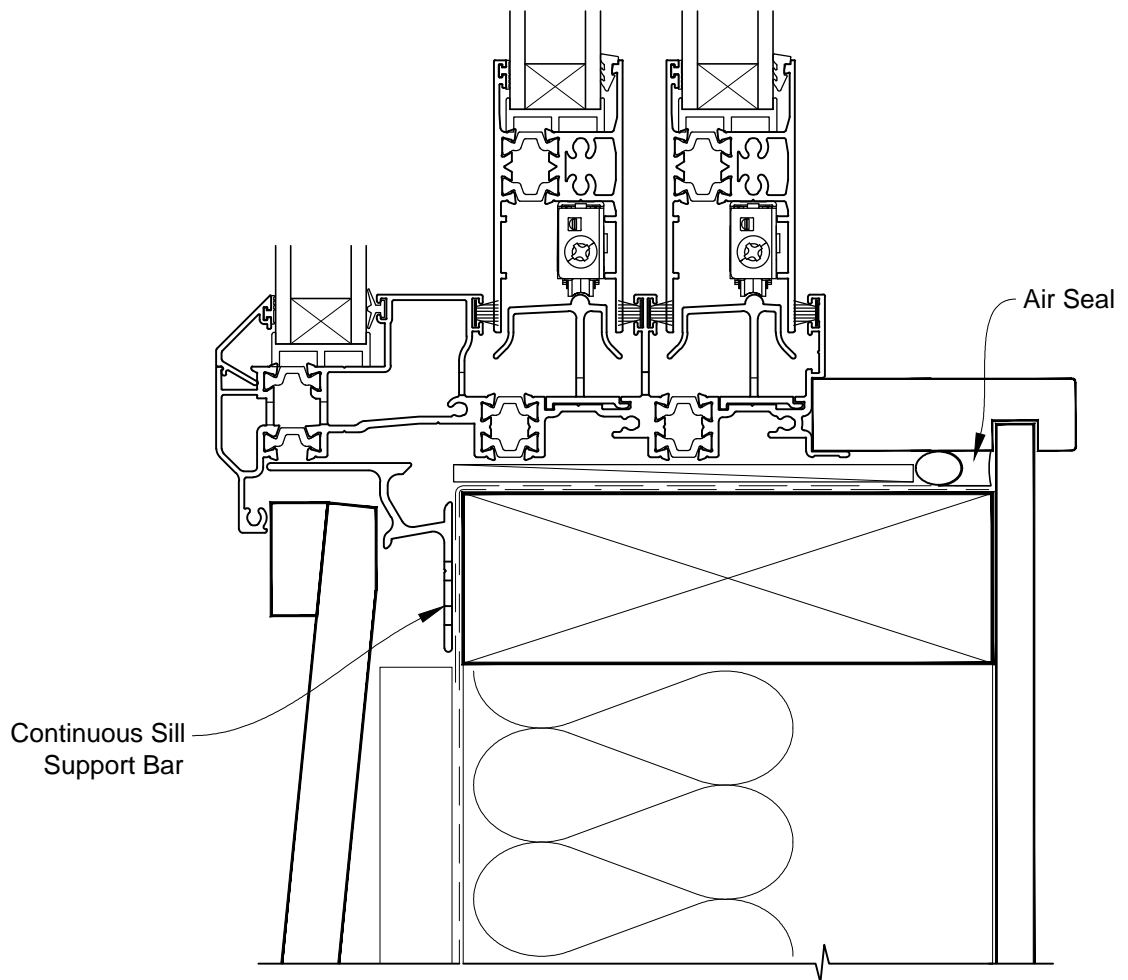


**INSTALLATION DETAIL - ALThERM RESIDENTIAL THERMAL
HEART - MULTISLIDER WINDOW ON BEVELBACK
WEATHERBOARD - CAVITY CONSTRUCTION**

Date: 01.03.14

Scale: 1:2

CAD Ref.: ATMWBW-CS



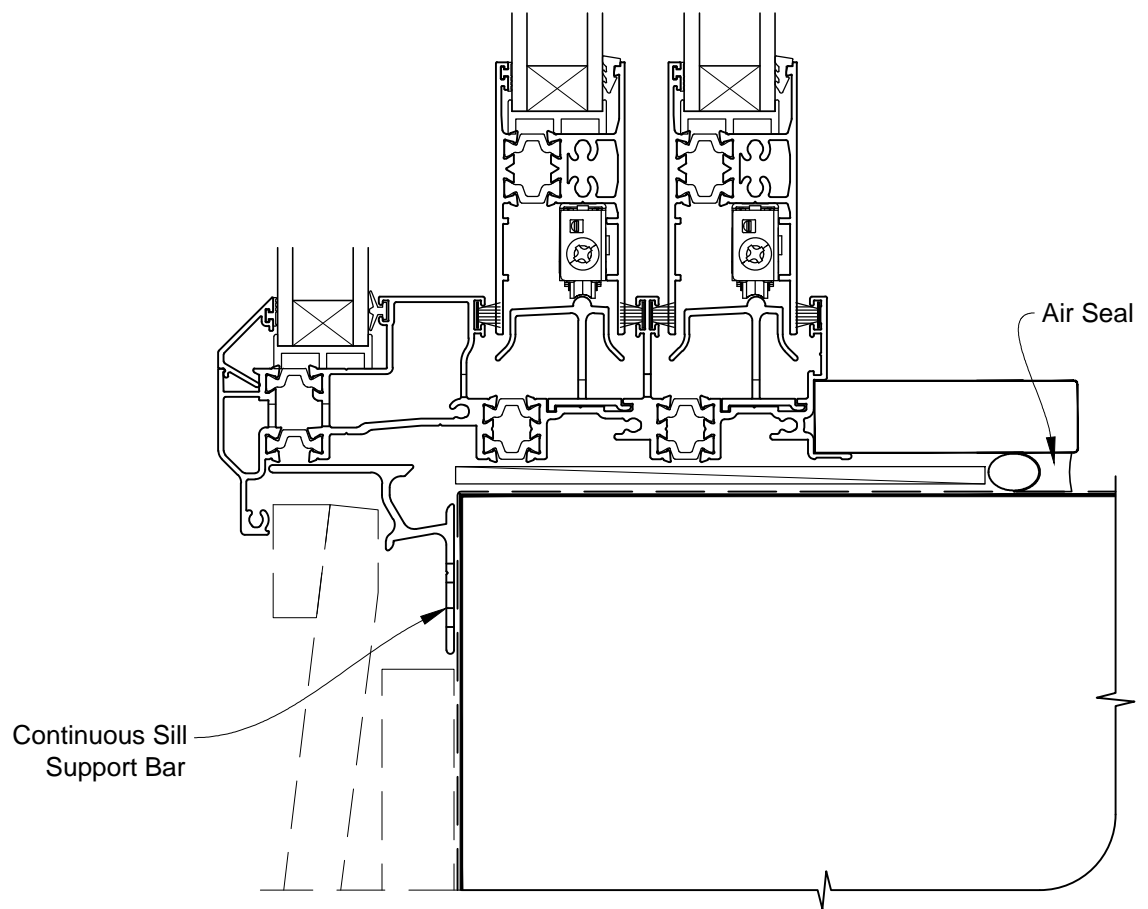


**INSTALLATION DETAIL - ALThERM RESIDENTIAL THERMAL
HEART - MULTISLIDER WINDOW ON BEVELBACK
WEATHERBOARD - CAVITY CONSTRUCTION**

Date: 01.03.14

Scale: 1:2

CAD Ref.: ATMWBW-CS2



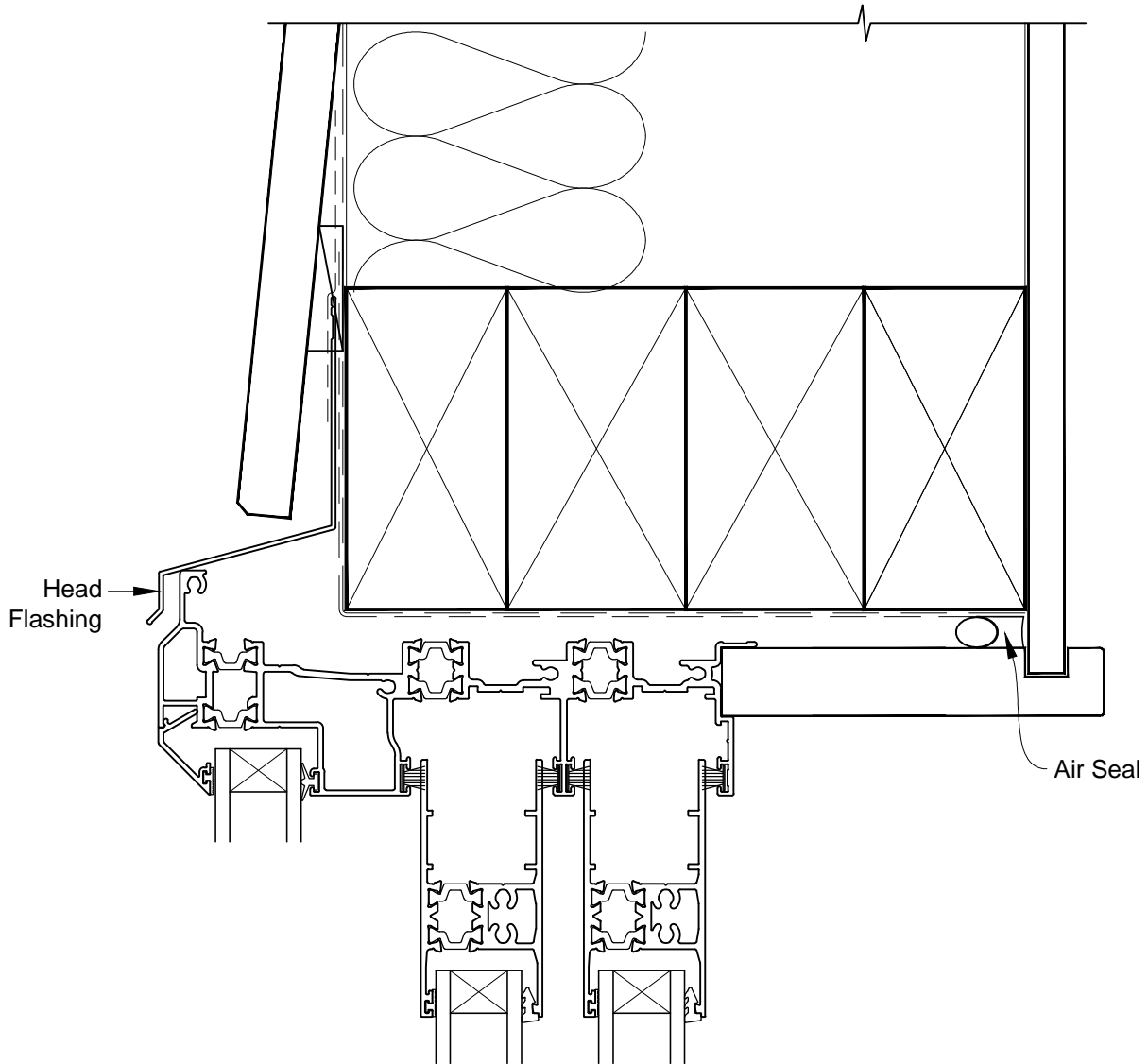


**INSTALLATION DETAIL - ALThERM RESIDENTIAL THERMAL
HEART - MULTISLIDER WINDOW ON BEVELBACK
WEATHERBOARD - DIRECT FIXED CLADDING**

Date: 01.03.14

Scale: 1:2

CAD Ref.: ATMWBW-DH



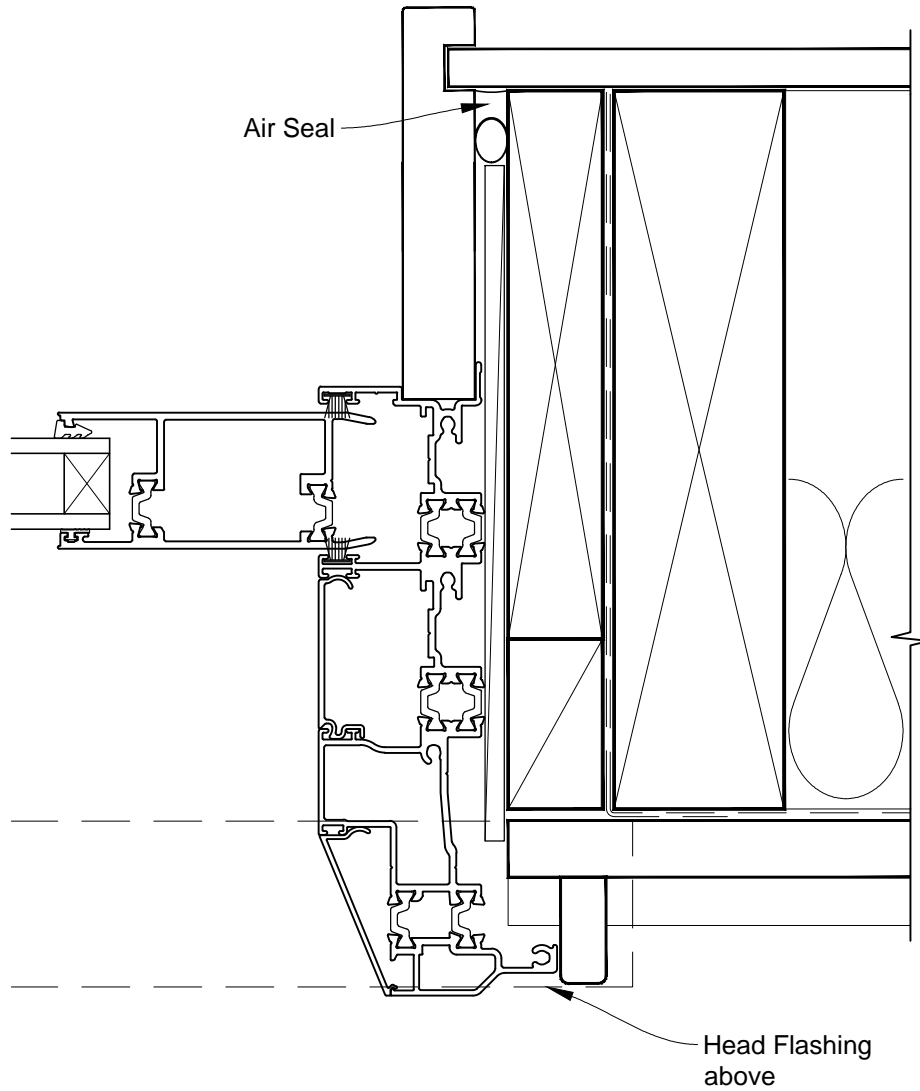


**INSTALLATION DETAIL - ALThERM RESIDENTIAL THERMAL
HEART - MULTISLIDER WINDOW ON BEVELBACK
WEATHERBOARD - DIRECT FIXED CLADDING**

Date: 01.03.14

Scale: 1:2

CAD Ref.: ATMWBW-DJ



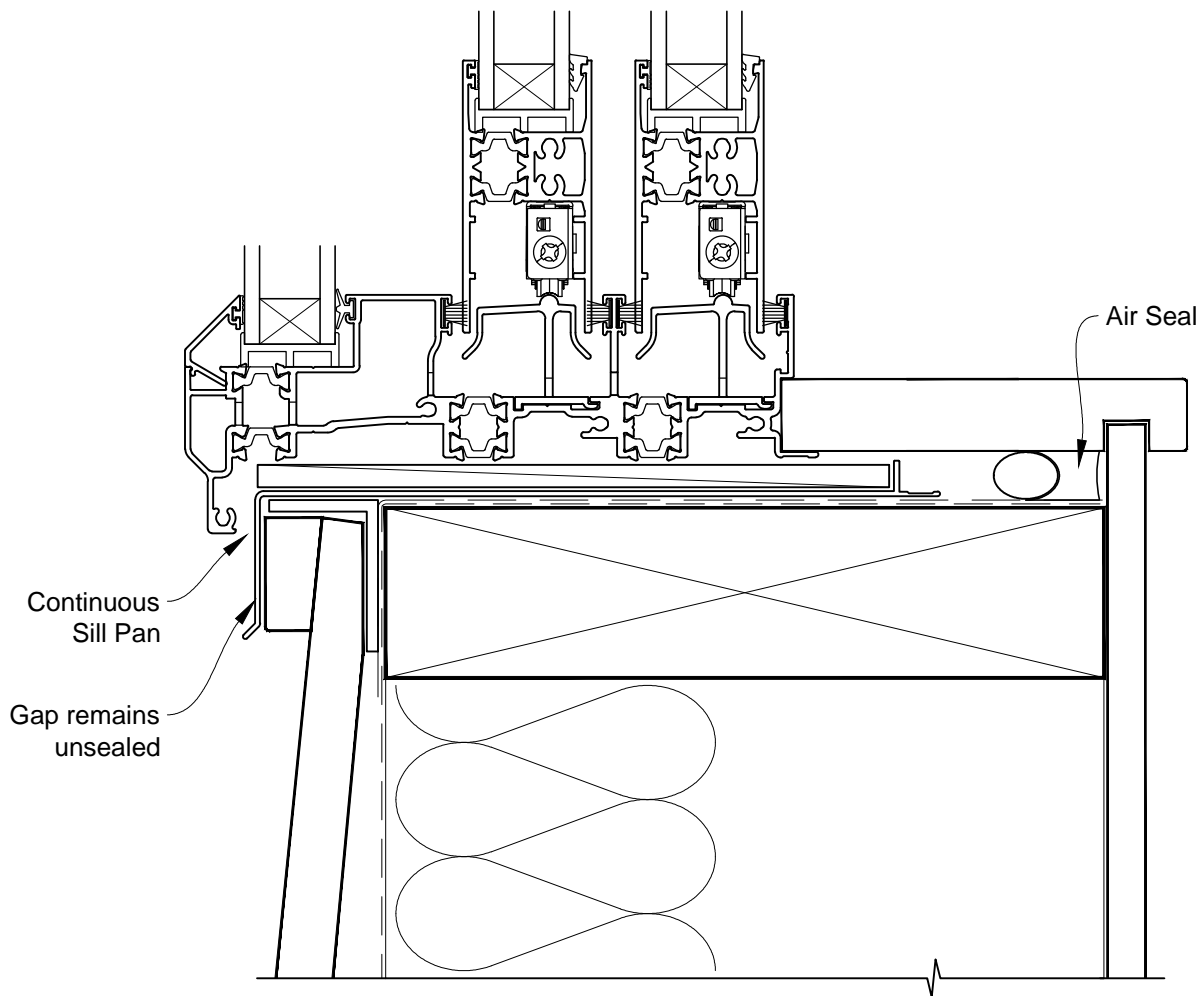


**INSTALLATION DETAIL - ALThERM RESIDENTIAL THERMAL
HEART - MULTISLIDER WINDOW ON BEVELBACK
WEATHERBOARD - DIRECT FIXED CLADDING**

Date: 01.03.14

Scale: 1:2

CAD Ref.: ATMWBW-DS





**INSTALLATION DETAIL - ALThERM RESIDENTIAL THERMAL
HEART - MULTISLIDER WINDOW ON BEVELBACK
WEATHERBOARD - DIRECT FIXED CLADDING**

Date: 01.03.14

Scale: 1:2

CAD Ref.: ATMWBW-DS2

