

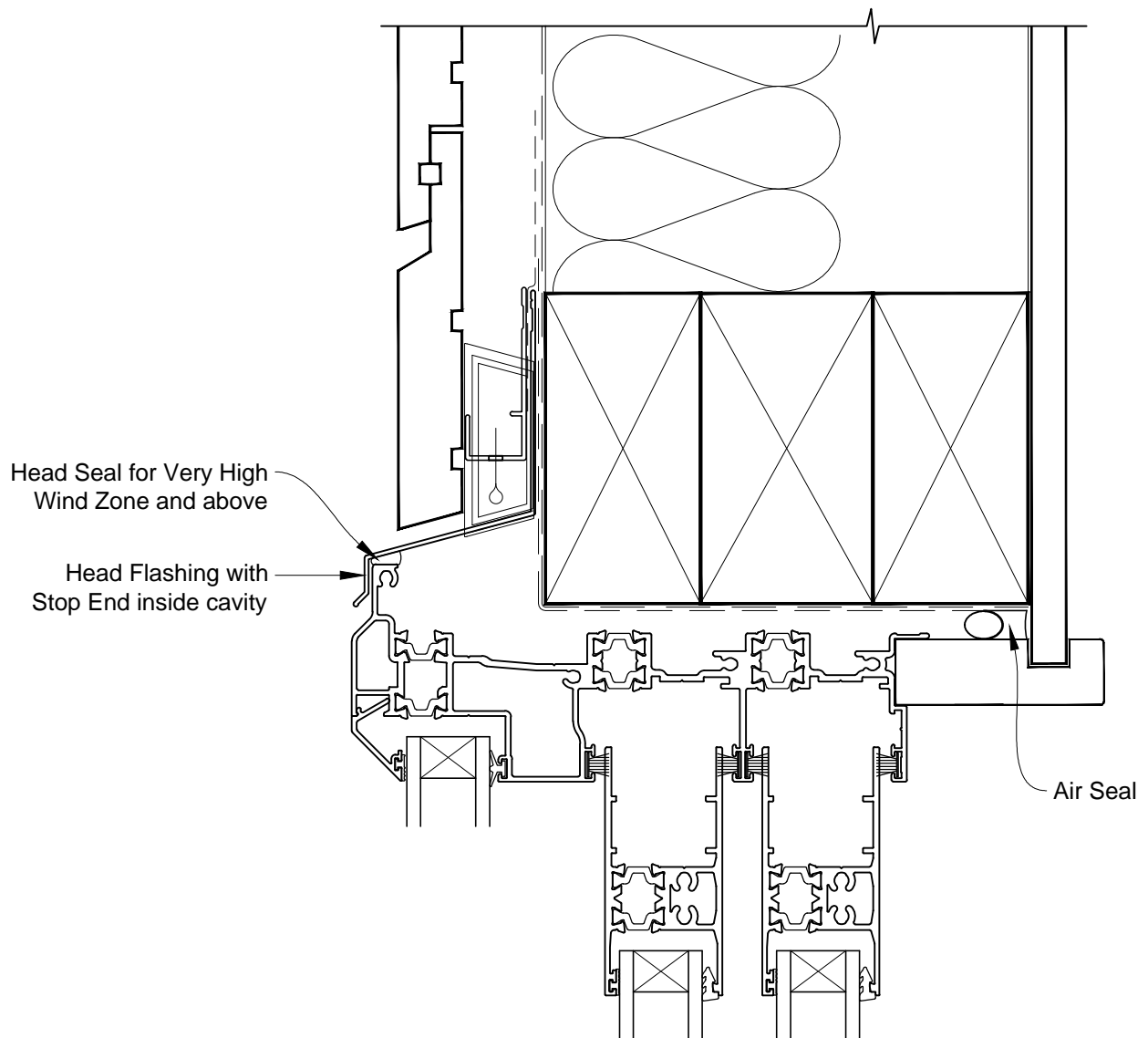


# INSTALLATION DETAIL - ALThERM RESIDENTIAL THERMAL HEART - MULTISLIDER DOOR ON RUSTICATED WEATHERBOARD - CAVITY CONSTRUCTION

Date: 01.03.14

Scale: 1:2

CAD Ref.: ATMDRW-CH



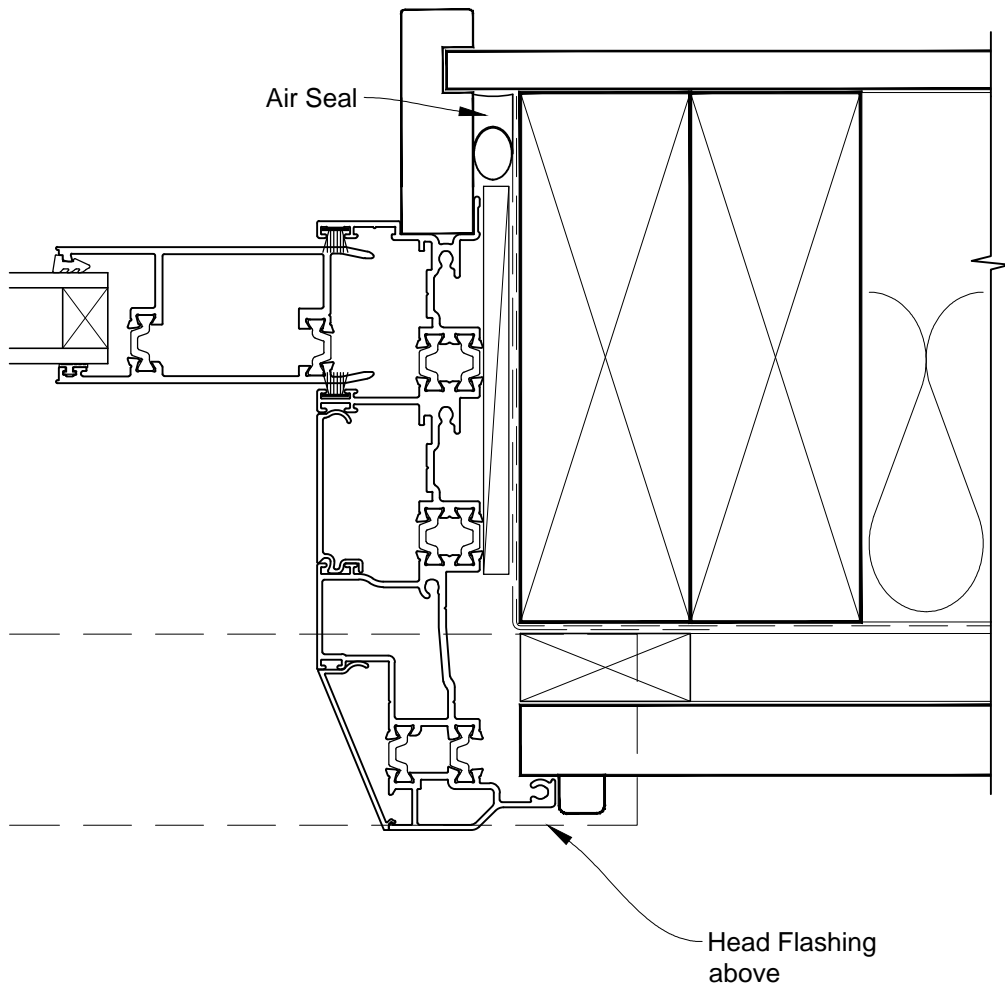


**INSTALLATION DETAIL - ALThERM RESIDENTIAL THERMAL  
HEART - MULTISLIDER DOOR ON RUSTICATED  
WEATHERBOARD - CAVITY CONSTRUCTION**

Date: 01.03.14

Scale: 1:2

CAD Ref.: ATMDRW-CJ



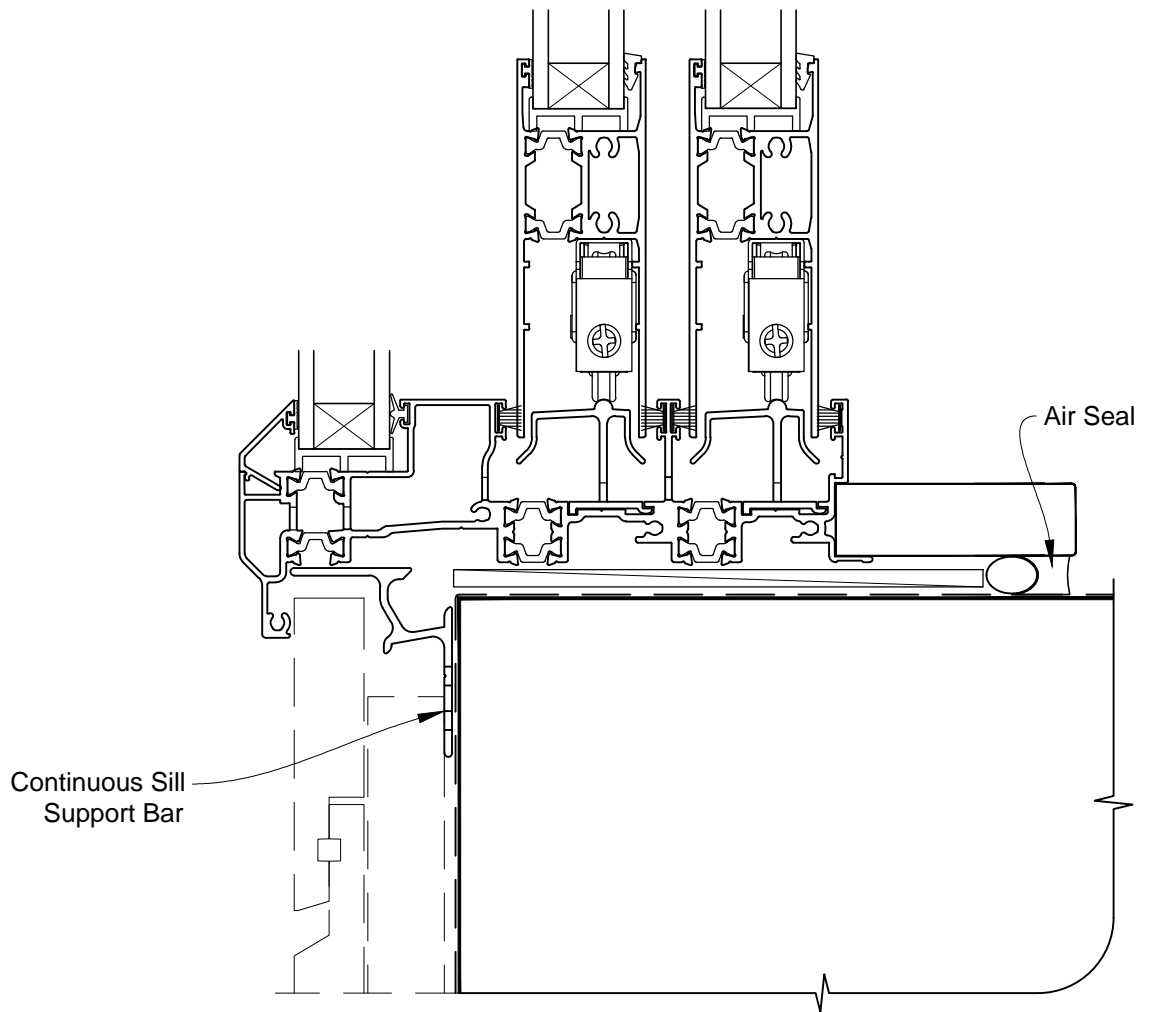


**INSTALLATION DETAIL - ALThERM RESIDENTIAL THERMAL HEART - MULTISLIDER DOOR ON RUSTICATED WEATHERBOARD - CAVITY CONSTRUCTION**

Date: 01.03.14

Scale: 1:2

CAD Ref.: ATMDRW-CS



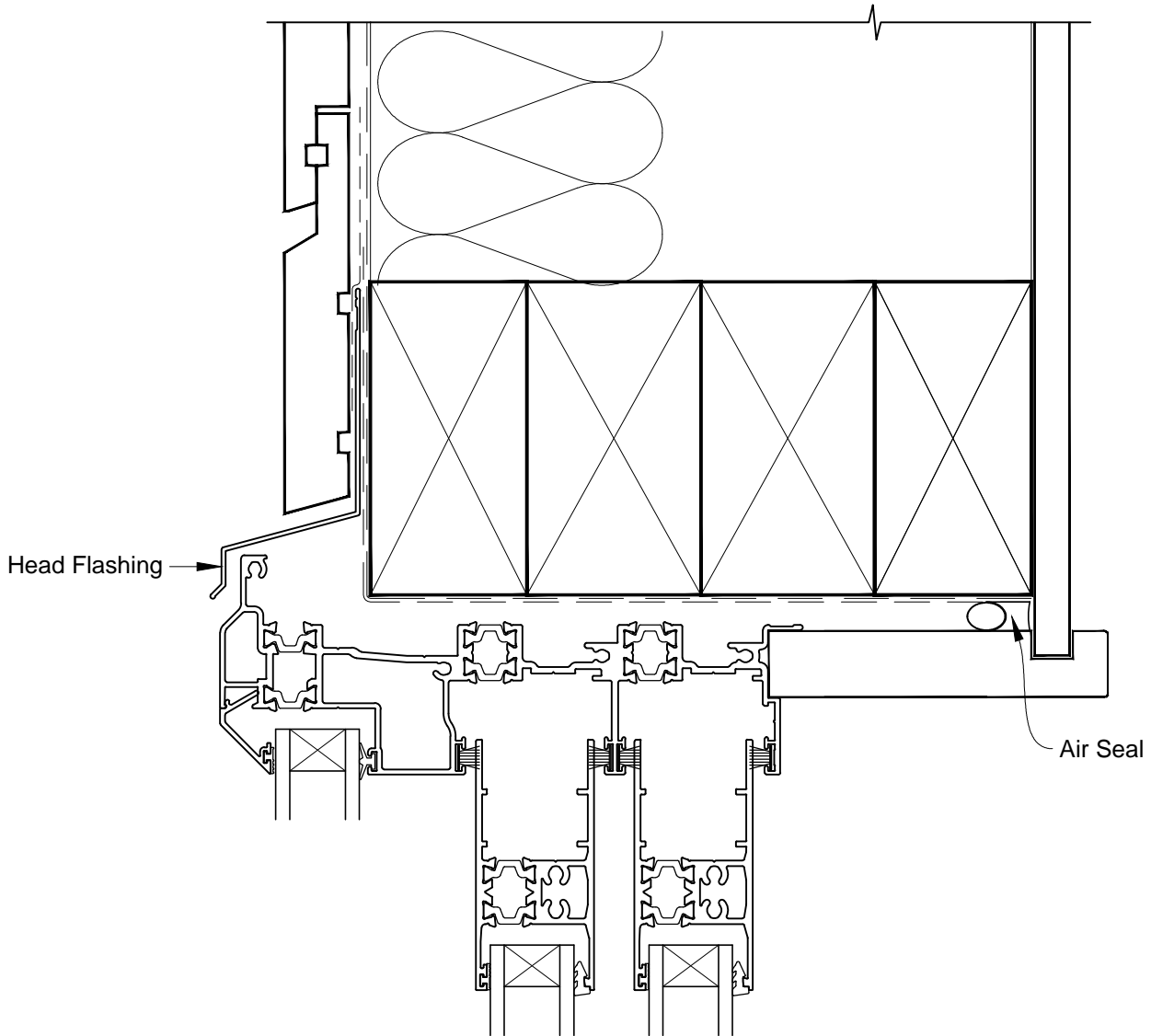


**INSTALLATION DETAIL - ALThERM RESIDENTIAL THERMAL  
HEART - MULTISLIDER DOOR ON RUSTICATED  
WEATHERBOARD - DIRECT FIXED CLADDING**

Date: 01.03.14

Scale: 1:2

CAD Ref.: ATMDRW-DH



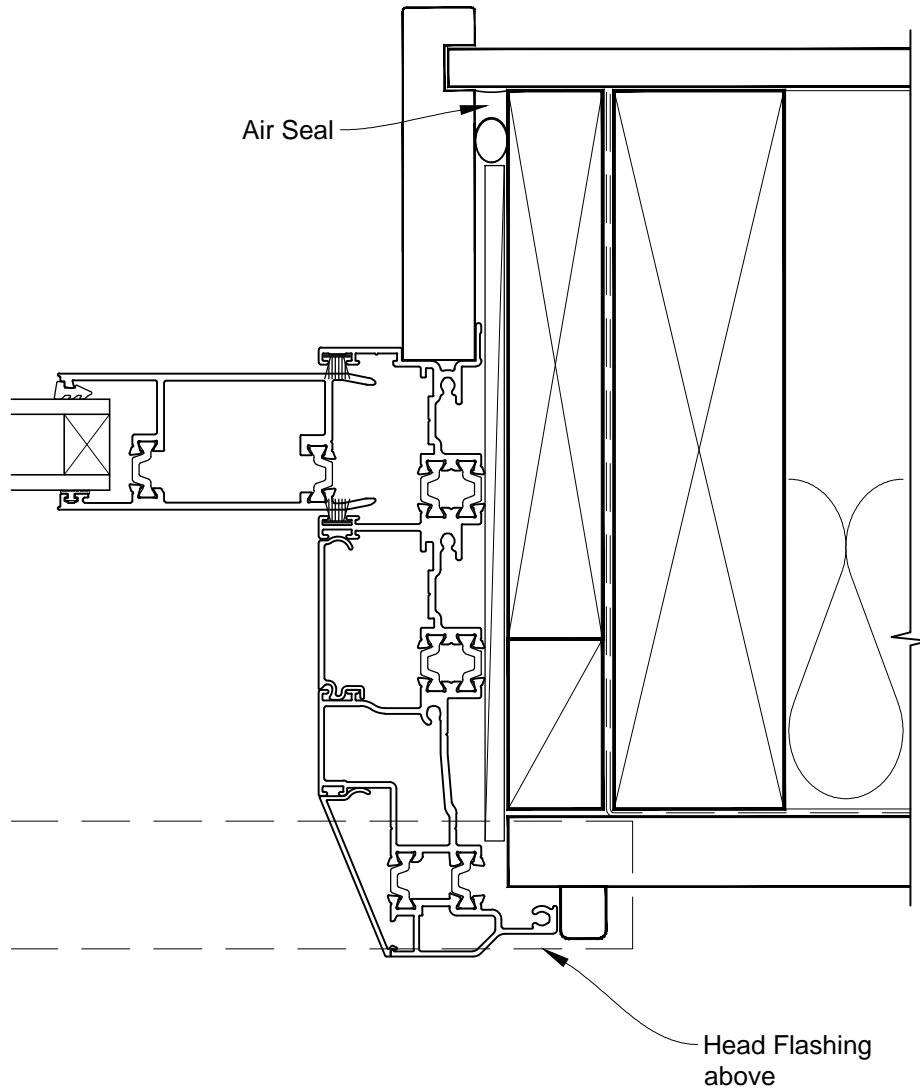


**INSTALLATION DETAIL - ALThERM RESIDENTIAL THERMAL  
HEART - MULTISLIDER DOOR ON RUSTICATED  
WEATHERBOARD - DIRECT FIXED CLADDING**

Date: 01.03.14

Scale: 1:2

CAD Ref.: ATMDRW-DJ





**INSTALLATION DETAIL - ALThERM RESIDENTIAL THERMAL HEART - MULTISLIDER DOOR ON RUSTICATED WEATHERBOARD - DIRECT FIXED CLADDING**

Date: 01.03.14

Scale: 1:2

CAD Ref.: ATMDRW-DS

