

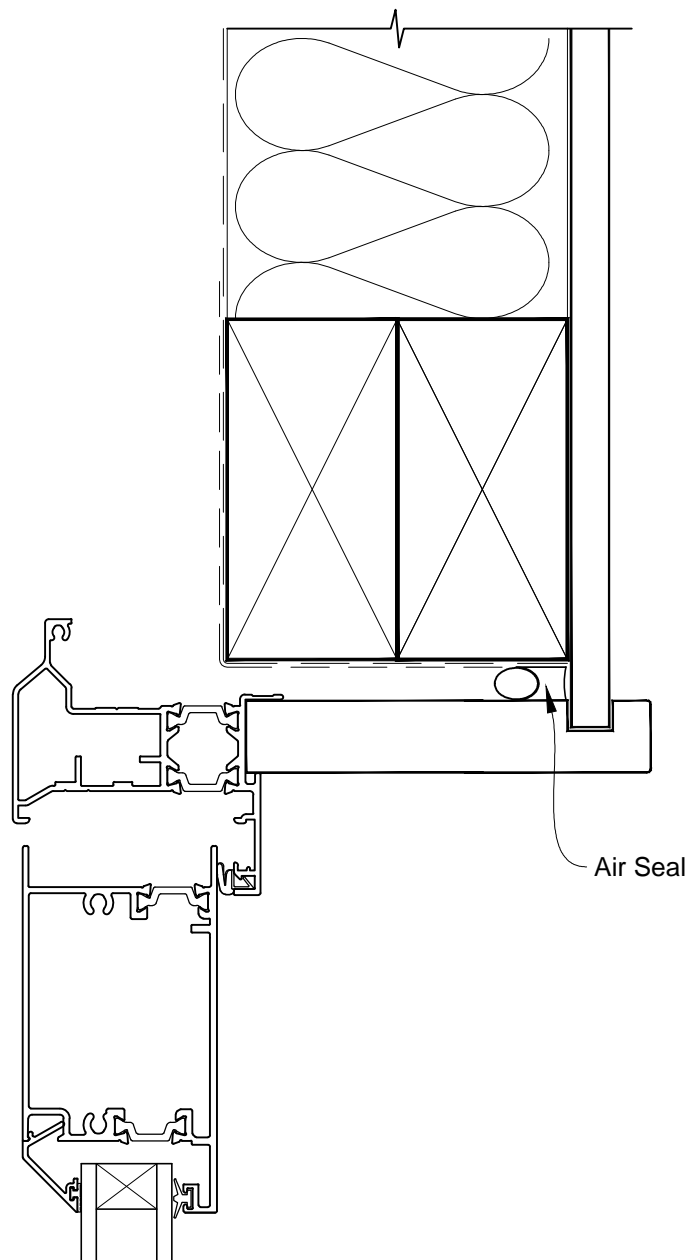


# INSTALLATION DETAIL - ALThERM RESIDENTIAL THERMAL HEART - HINGED DOOR OPEN OUT ON NO CLADDING CAVITY CONSTRUCTION

Date: 01.03.14

Scale: 1:2

CAD Ref.: ATHONC-CH



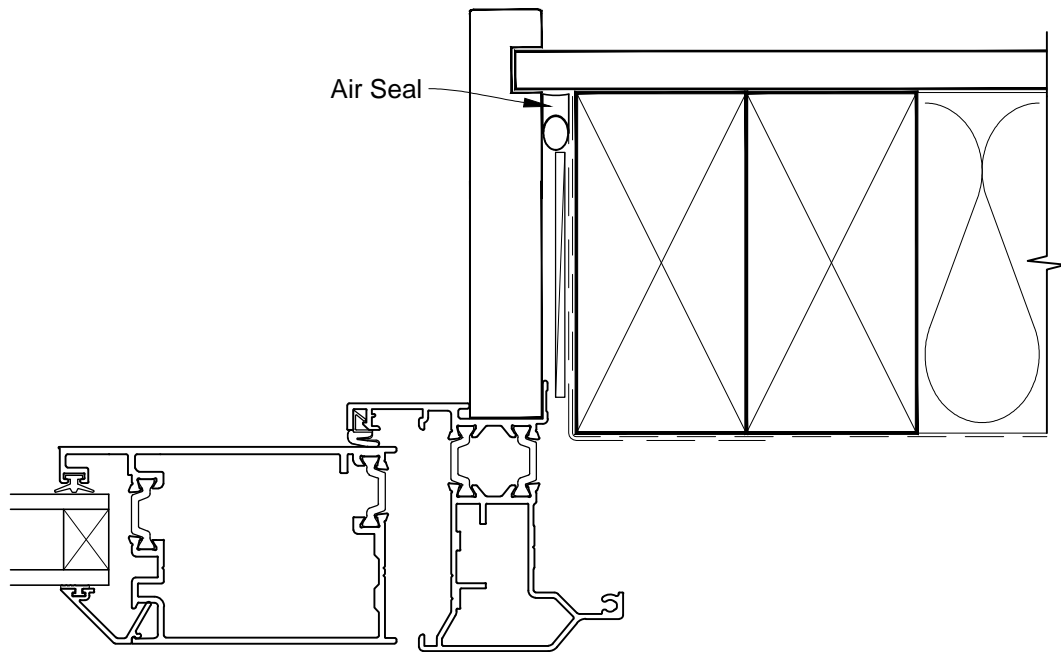


**INSTALLATION DETAIL - ALThERM RESIDENTIAL THERMAL  
HEART - HINGED DOOR OPEN OUT ON NO CLADDING  
CAVITY CONSTRUCTION**

Date: 01.03.14

Scale: 1:2

CAD Ref.: ATHONC-CJ



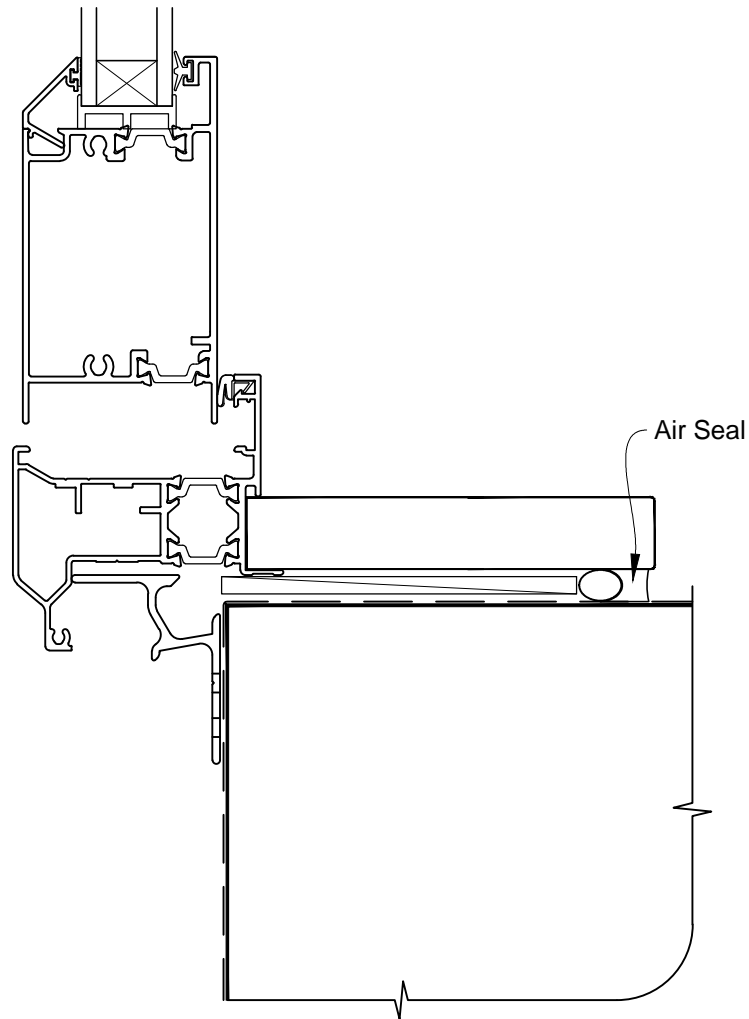


**INSTALLATION DETAIL - ALThERM RESIDENTIAL THERMAL  
HEART - HINGED DOOR OPEN OUT ON NO CLADDING  
CAVITY CONSTRUCTION**

Date: 01.03.14

Scale: 1:2

CAD Ref.: ATHONC-CS



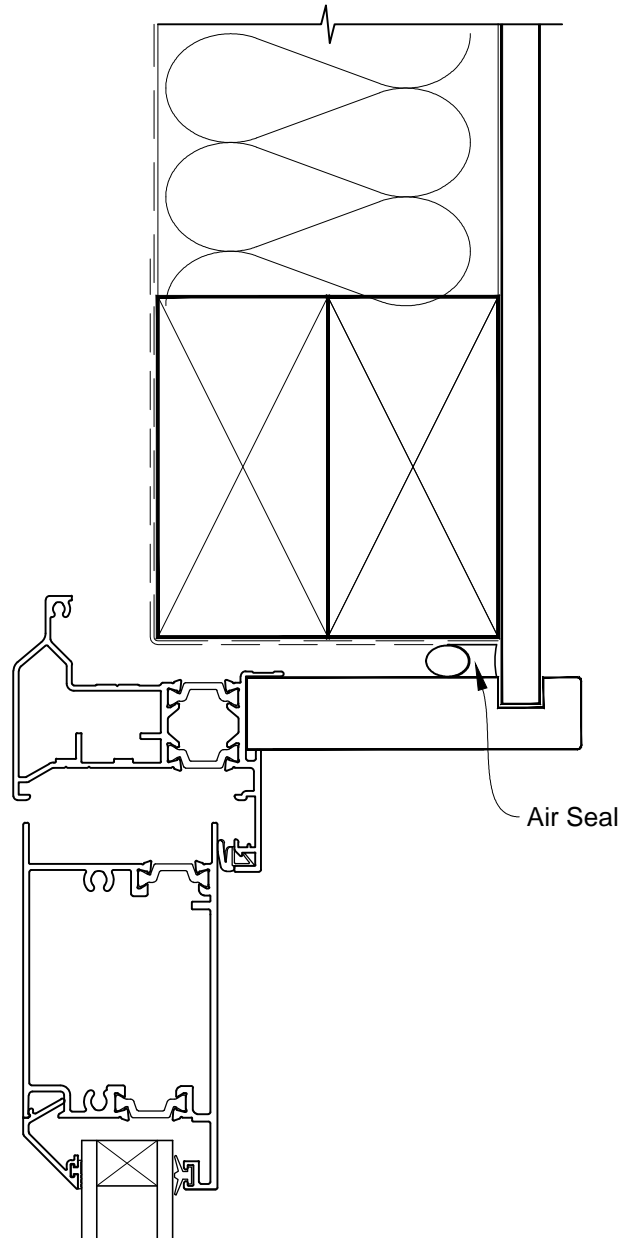


**INSTALLATION DETAIL - ALThERM RESIDENTIAL THERMAL  
HEART - HINGED DOOR OPEN OUT ON NO CLADDING  
DIRECT FIXED CLADDING**

Date: 01.03.14

Scale: 1:2

CAD Ref.: ATHONC-DH



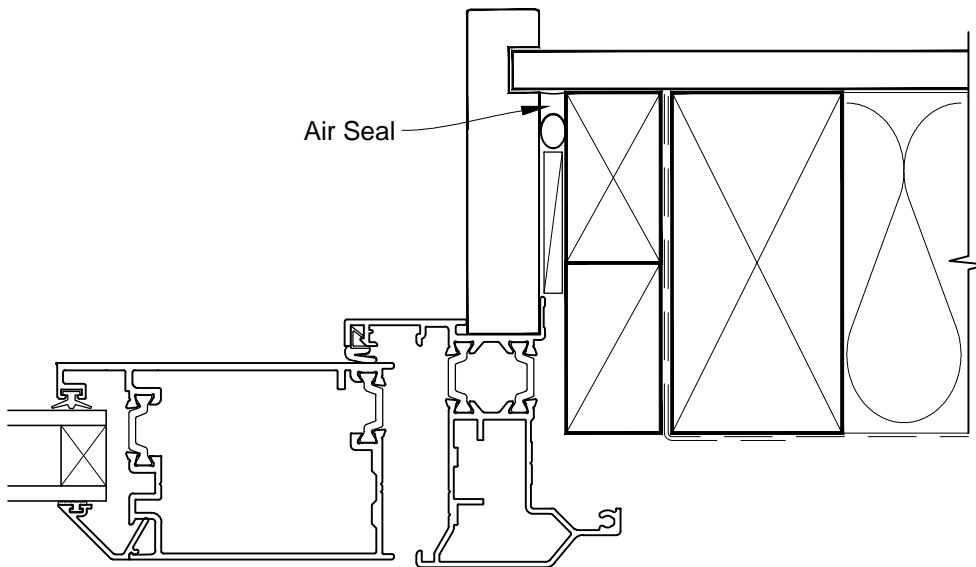


**INSTALLATION DETAIL - ALThERM RESIDENTIAL THERMAL  
HEART - HINGED DOOR OPEN OUT ON NO CLADDING  
DIRECT FIXED CLADDING**

Date: 01.03.14

Scale: 1:2

CAD Ref.: ATHONC-DJ





**INSTALLATION DETAIL - ALThERM RESIDENTIAL THERMAL  
HEART - HINGED DOOR OPEN OUT ON NO CLADDING  
DIRECT FIXED CLADDING**

Date: 01.03.14

Scale: 1:2

CAD Ref.: ATHONC-DS

