

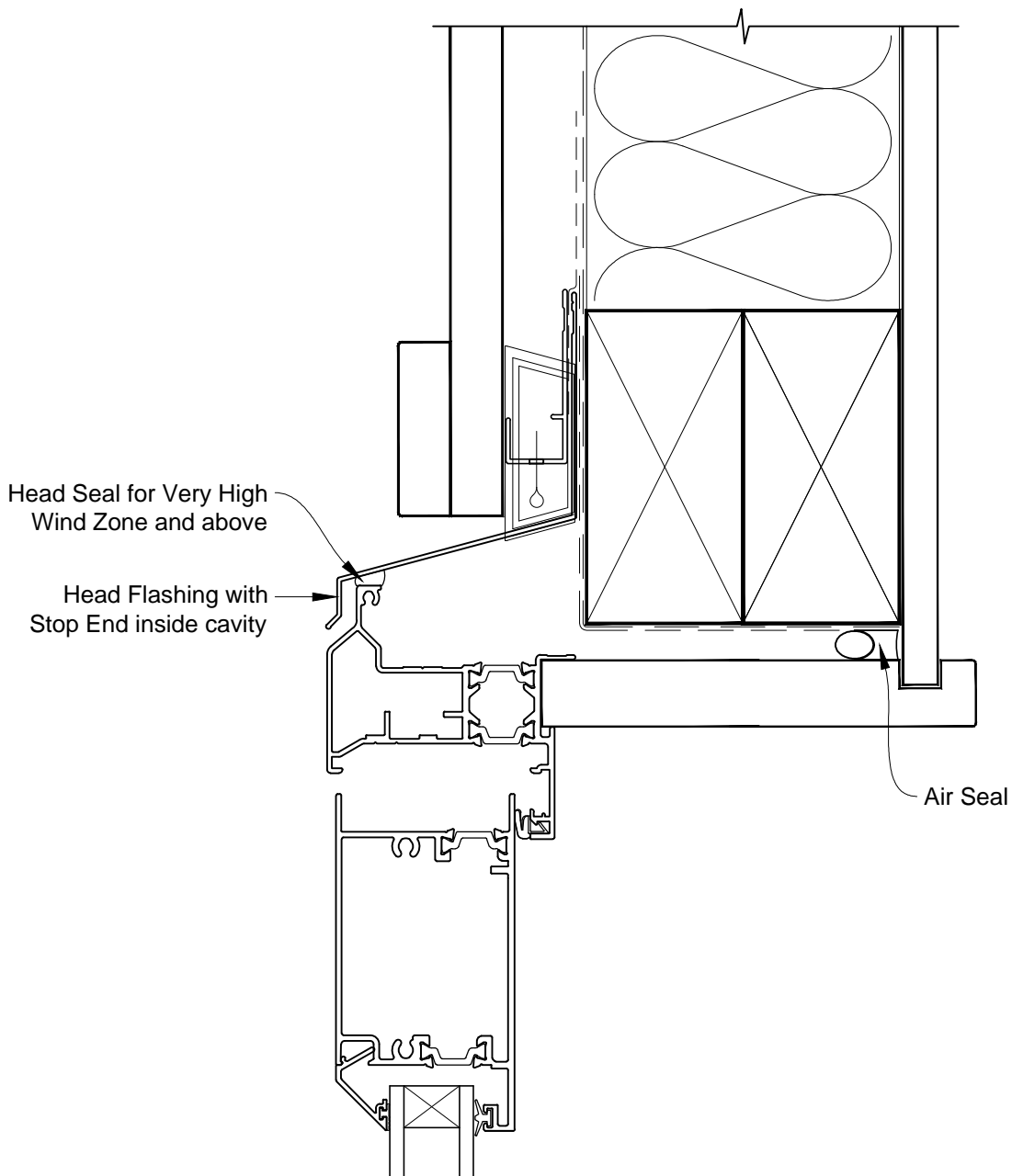


# INSTALLATION DETAIL - ALTherm RESIDENTIAL THERMAL HEART - HINGED DOOR OPEN OUT DOOR ON BOARD & BATTEN CAVITY CONSTRUCTION

Date: 01.03.14

Scale: 1:2

CAD Ref.: ATHOBB-CH



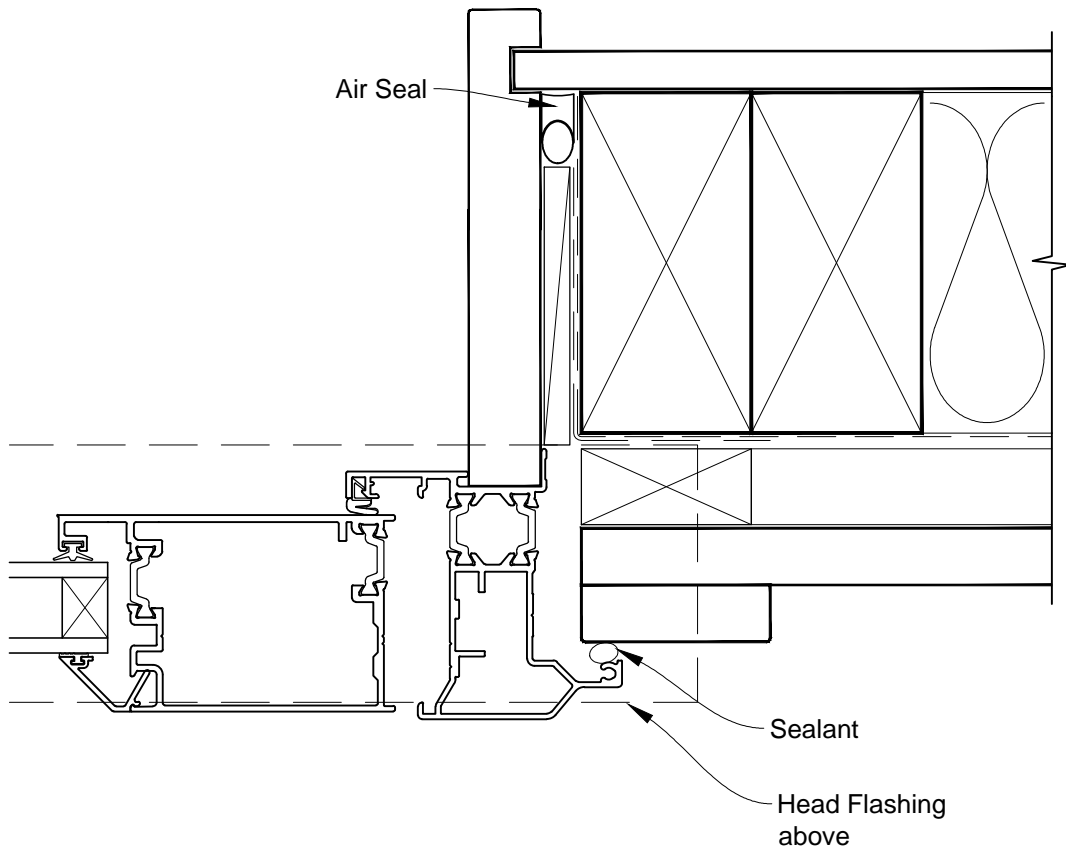


# INSTALLATION DETAIL - ALThERM RESIDENTIAL THERMAL HEART - HINGED DOOR OPEN OUT DOOR ON BOARD & BATTEN CAVITY CONSTRUCTION

Date: 01.03.14

Scale: 1:2

CAD Ref.: ATHOBB-CJ



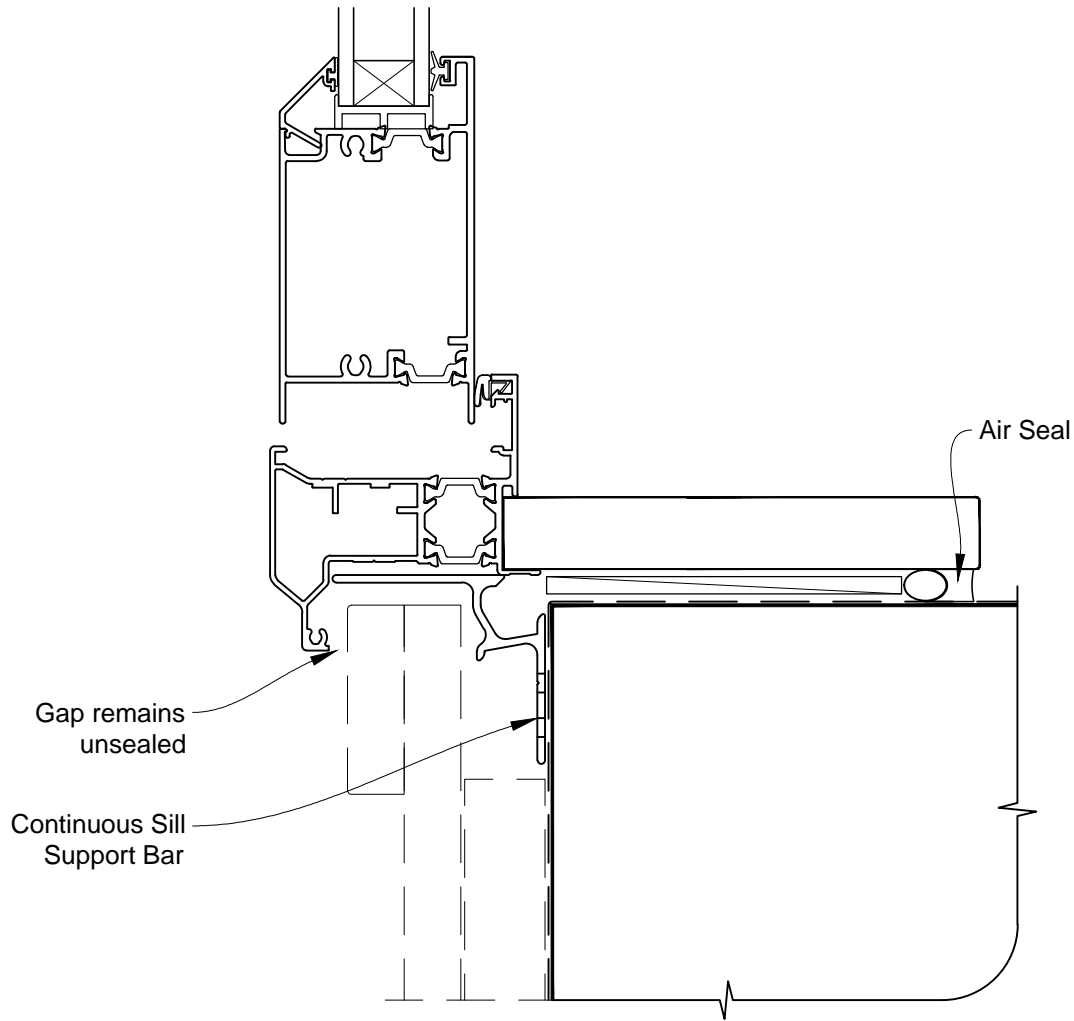


# INSTALLATION DETAIL - ALTherm RESIDENTIAL THERMAL HEART - HINGED DOOR OPEN OUT DOOR ON BOARD & BATTEN CAVITY CONSTRUCTION

Date: 01.03.14

Scale: 1:2

CAD Ref.: ATHOBB-CS



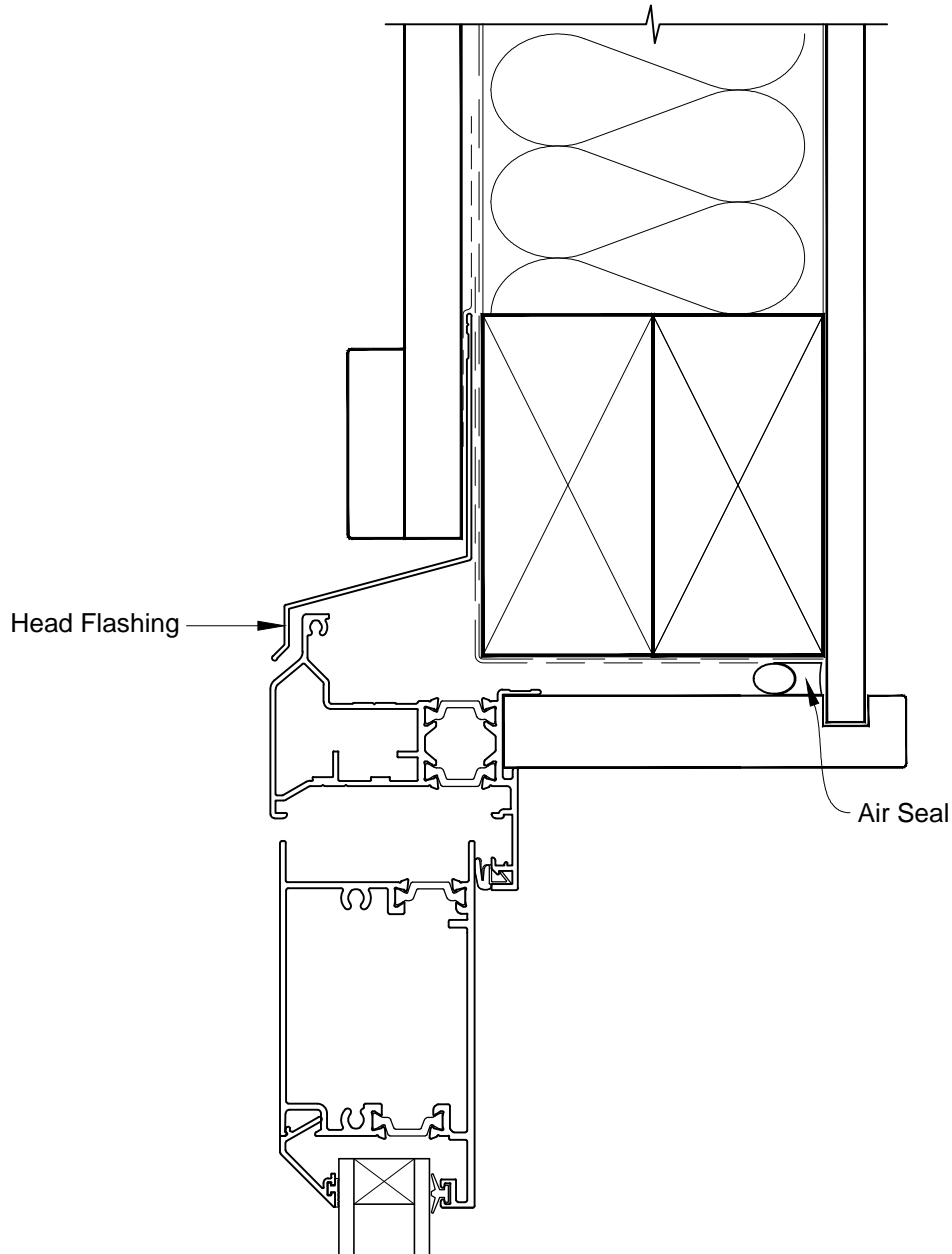


**INSTALLATION DETAIL - ALThERM RESIDENTIAL THERMAL HEART - HINGED DOOR OPEN OUT DOOR ON BOARD & BATTEN DIRECT FIXED CLADDING**

Date: 01.03.14

Scale: 1:2

CAD Ref.: ATHOBB-DH



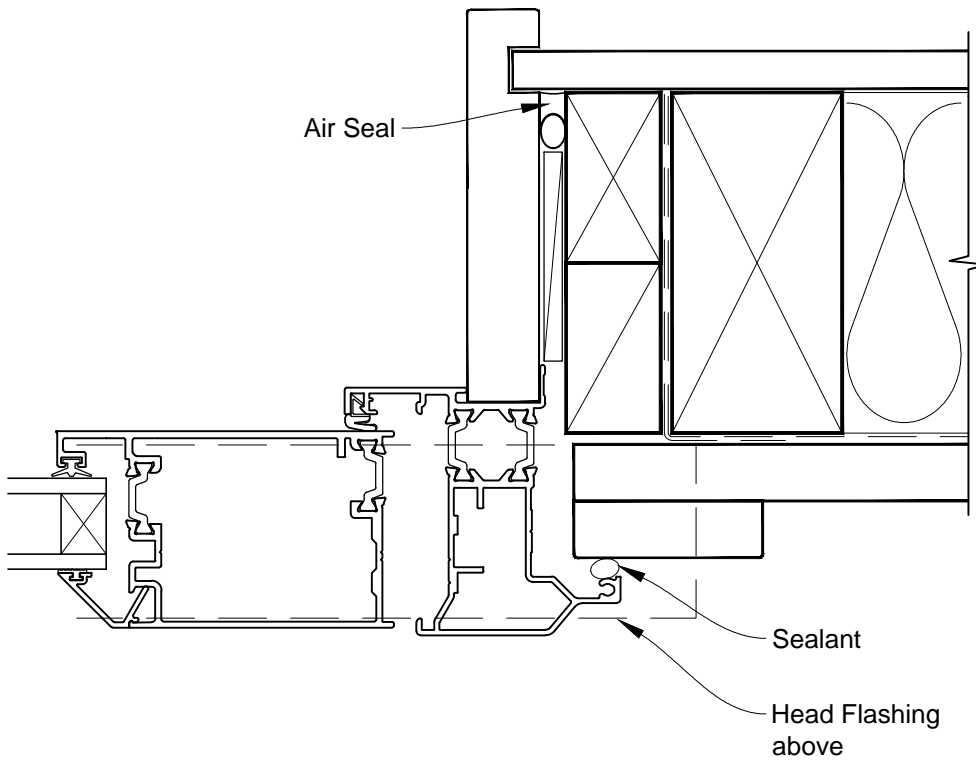


**INSTALLATION DETAIL - ALThERM RESIDENTIAL THERMAL  
HEART - HINGED DOOR OPEN OUT DOOR ON BOARD & BATTEN  
DIRECT FIXED CLADDING**

Date: 01.03.14

Scale: 1:2

CAD Ref.: ATHOBB-DJ





**INSTALLATION DETAIL - ALTherm RESIDENTIAL THERMAL HEART - HINGED DOOR OPEN OUT DOOR ON BOARD & BATTEN DIRECT FIXED CLADDING**

Date: 01.03.14

Scale: 1:2

CAD Ref.: ATHOBB-DS

