

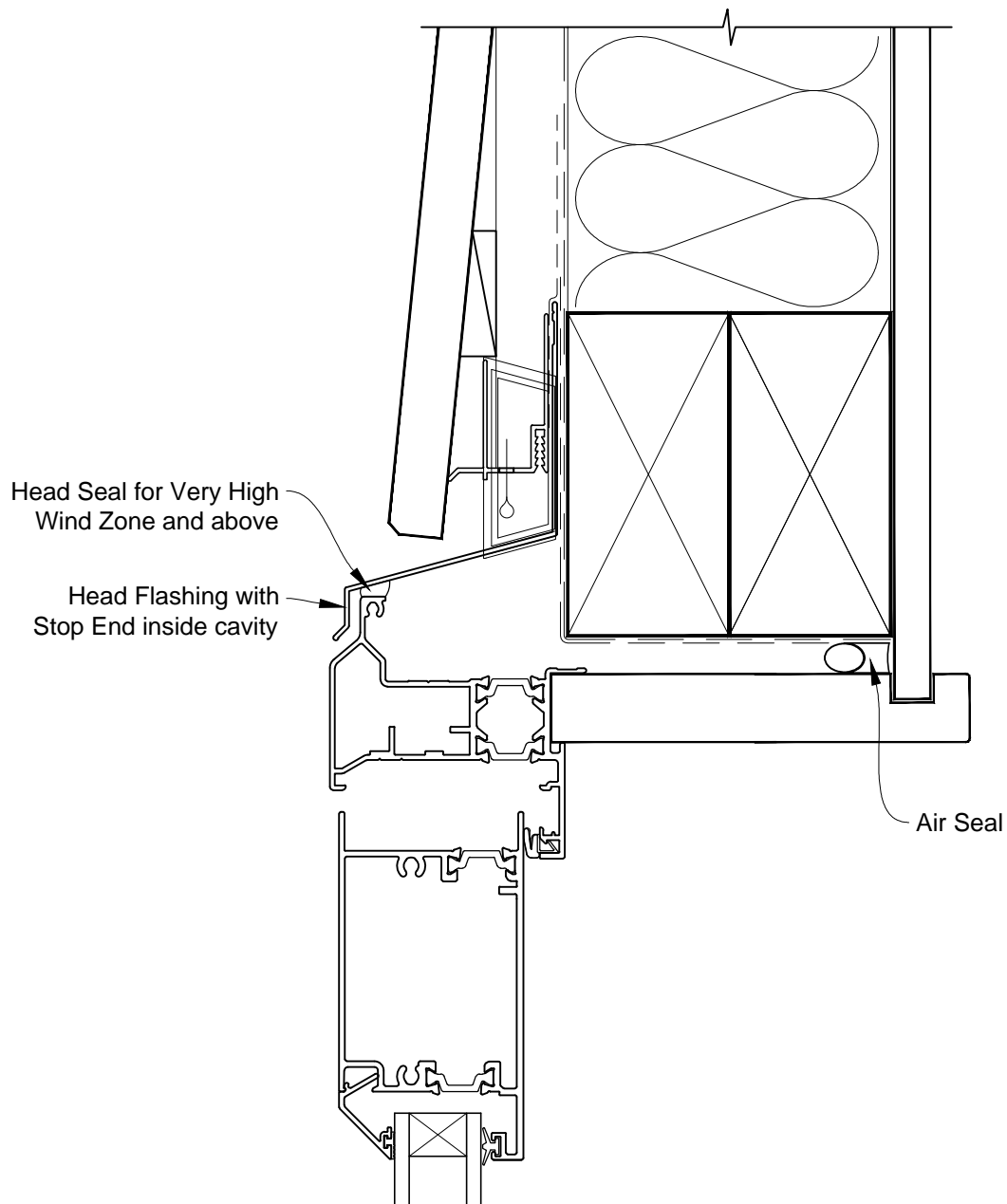


**INSTALLATION DETAIL - ALThERM RESIDENTIAL THERMAL HEART - HINGED DOOR OPEN OUT ON BEVELBACK WEATHERBOARD - CAVITY CONSTRUCTION**

Date: 01.03.14

Scale: 1:2

CAD Ref.: ATHOBW-CH



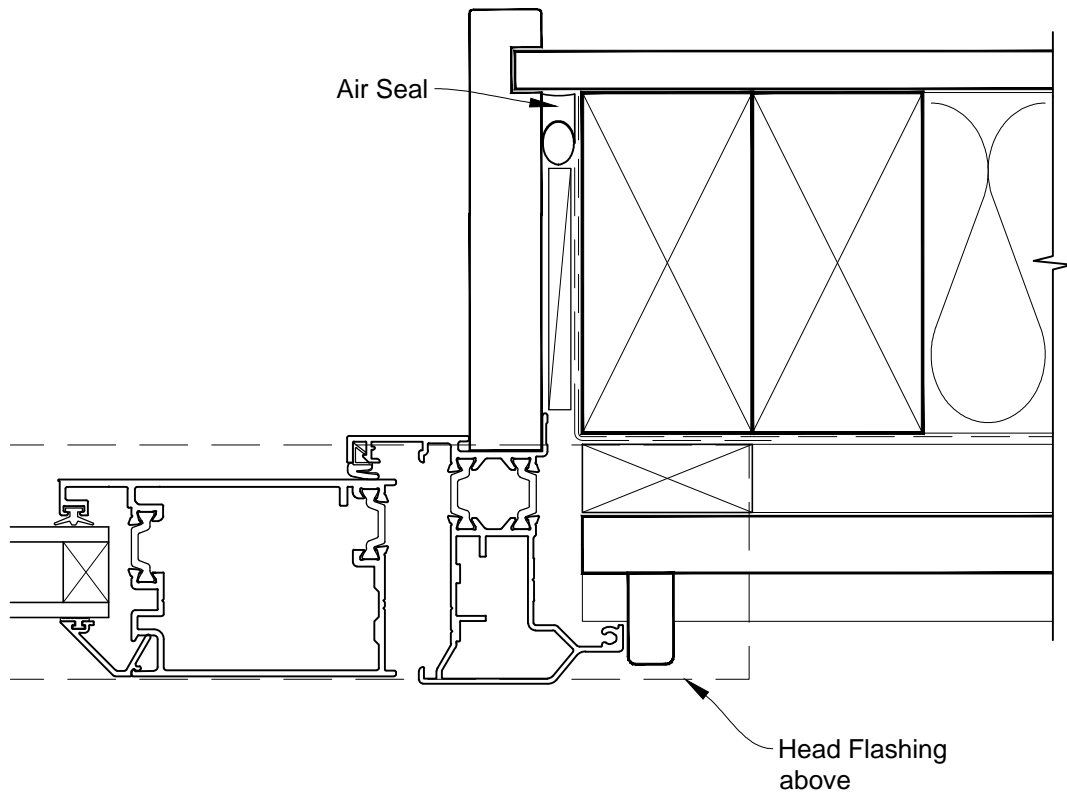


**INSTALLATION DETAIL - ALThERM RESIDENTIAL THERMAL  
HEART - HINGED DOOR OPEN OUT ON BEVELBACK  
WEATHERBOARD - CAVITY CONSTRUCTION**

Date: 01.03.14

Scale: 1:2

CAD Ref.: ATHOBW-CJ



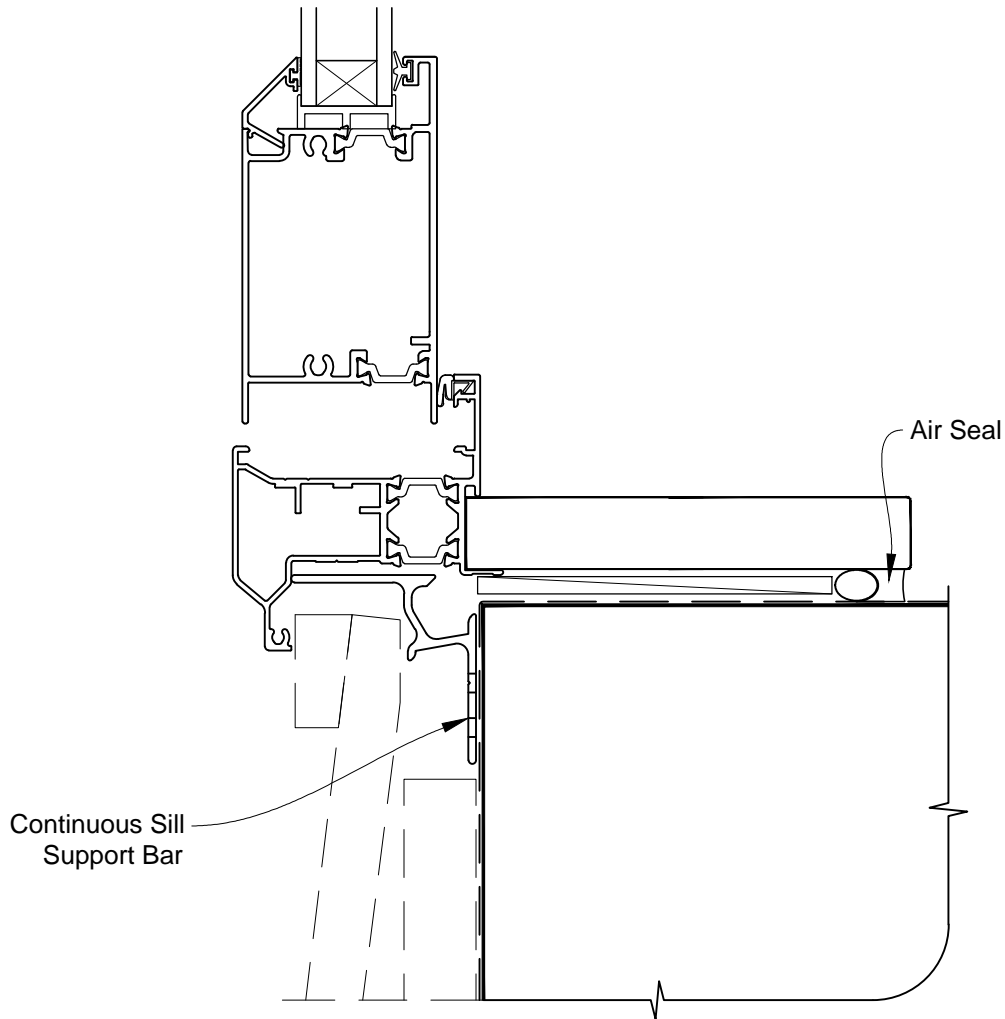


**INSTALLATION DETAIL - ALThERM RESIDENTIAL THERMAL  
HEART - HINGED DOOR OPEN OUT ON BEVELBACK  
WEATHERBOARD - CAVITY CONSTRUCTION**

Date: 01.03.14

Scale: 1:2

CAD Ref.: ATHOBW-CS



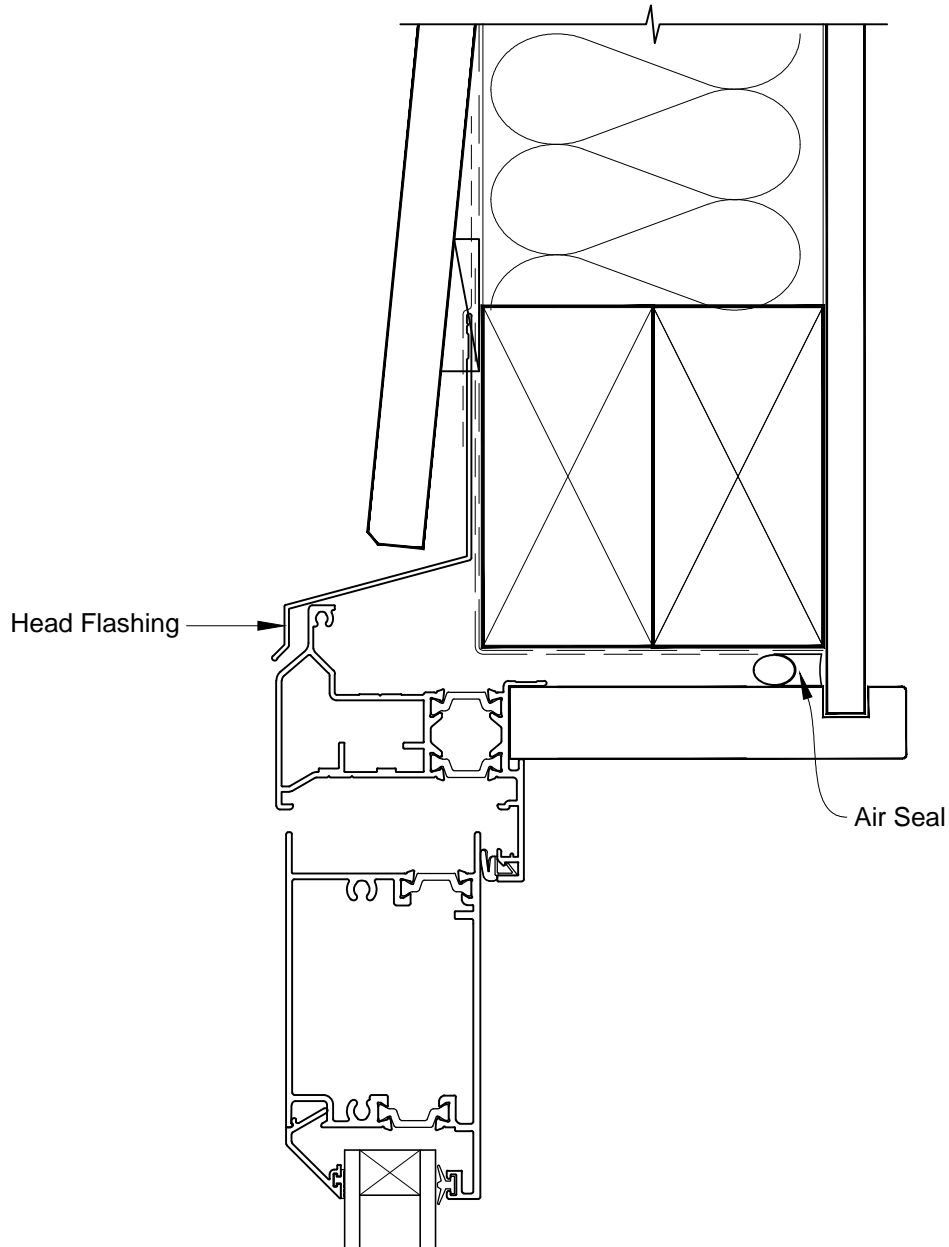


**INSTALLATION DETAIL - ALThERM RESIDENTIAL THERMAL  
HEART - HINGED DOOR OPEN OUT ON BEVELBACK  
WEATHERBOARD - DIRECT FIXED CLADDING**

Date: 01.03.14

Scale: 1:2

CAD Ref.: ATHOBW-DH



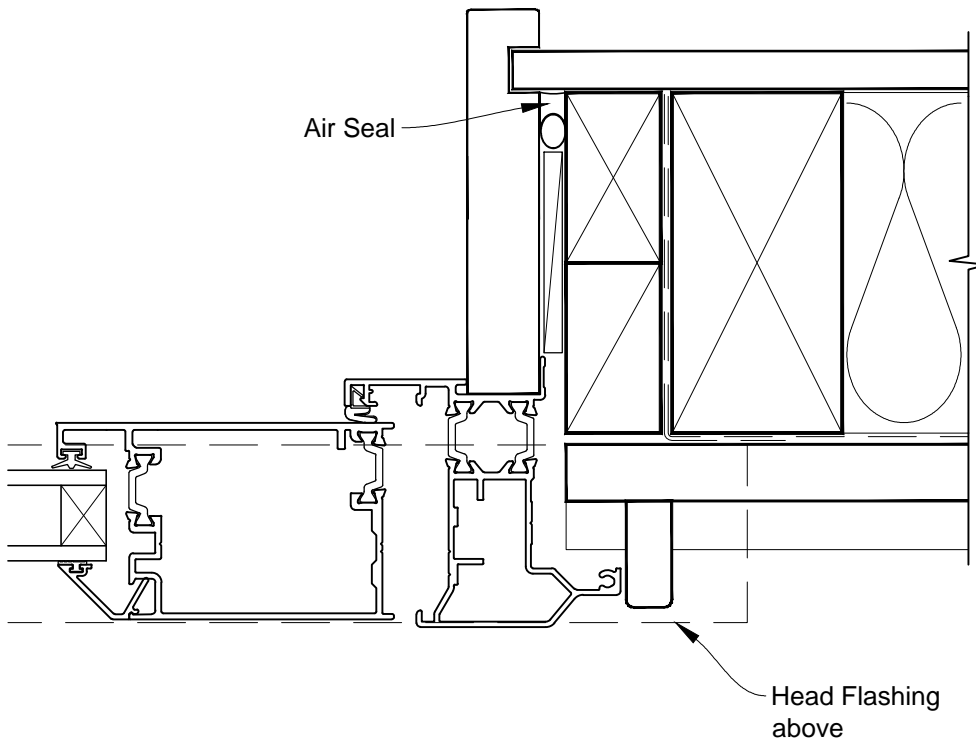


**INSTALLATION DETAIL - ALTherm RESIDENTIAL THERMAL  
HEART - HINGED DOOR OPEN OUT ON BEVELBACK  
WEATHERBOARD - DIRECT FIXED CLADDING**

Date: 01.03.14

Scale: 1:2

CAD Ref.: ATHOBW-DJ





**INSTALLATION DETAIL - ALThERM RESIDENTIAL THERMAL  
HEART - HINGED DOOR OPEN OUT ON BEVELBACK  
WEATHERBOARD - DIRECT FIXED CLADDING**

Date: 01.03.14

Scale: 1:2

CAD Ref.: ATHOBW-DS

