

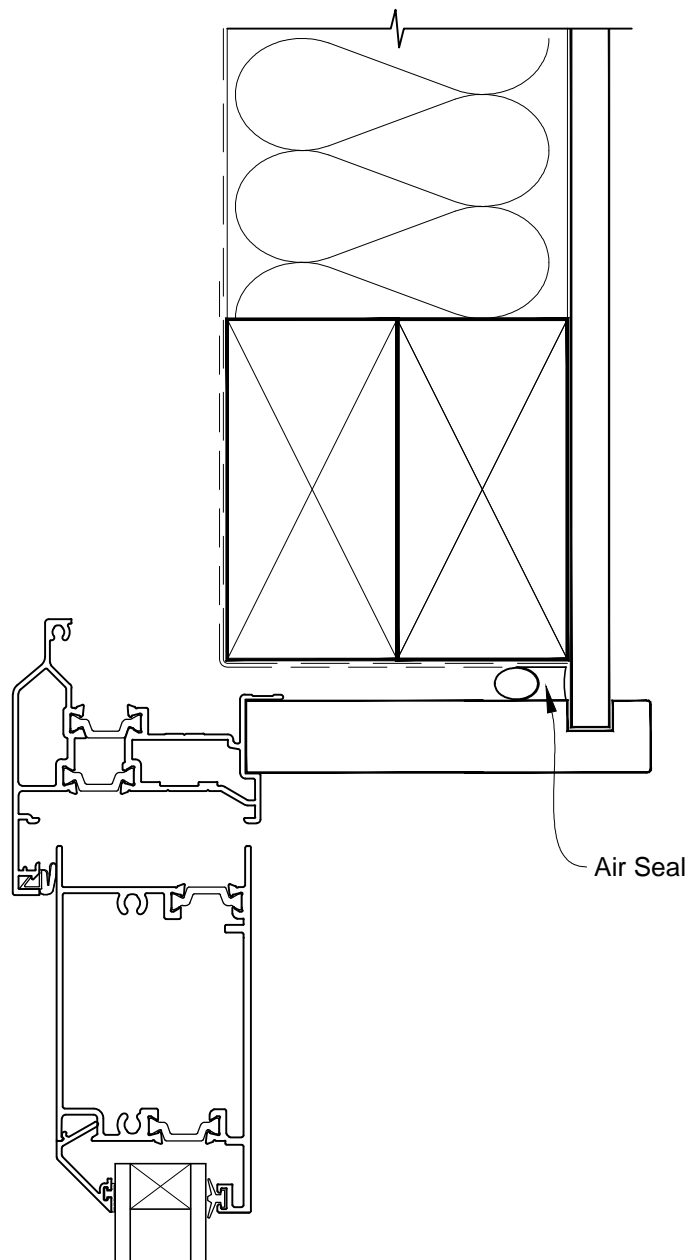


INSTALLATION DETAIL - ALThERM RESIDENTIAL THERMAL HEART - HINGED DOOR OPEN IN ON NO CLADDING CAVITY CONSTRUCTION

Date: 01.03.14

Scale: 1:2

CAD Ref.: ATHINC-CH



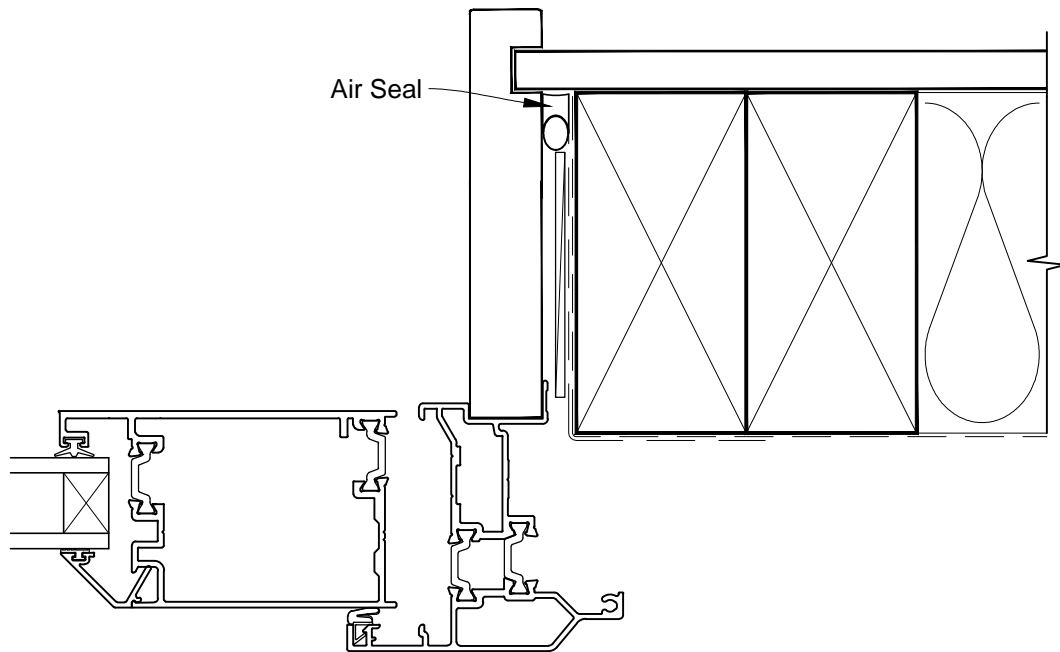


**INSTALLATION DETAIL - ALThERM RESIDENTIAL THERMAL
HEART - HINGED DOOR OPEN IN ON NO CLADDING
CAVITY CONSTRUCTION**

Date: 01.03.14

Scale: 1:2

CAD Ref.: ATHINC-CJ



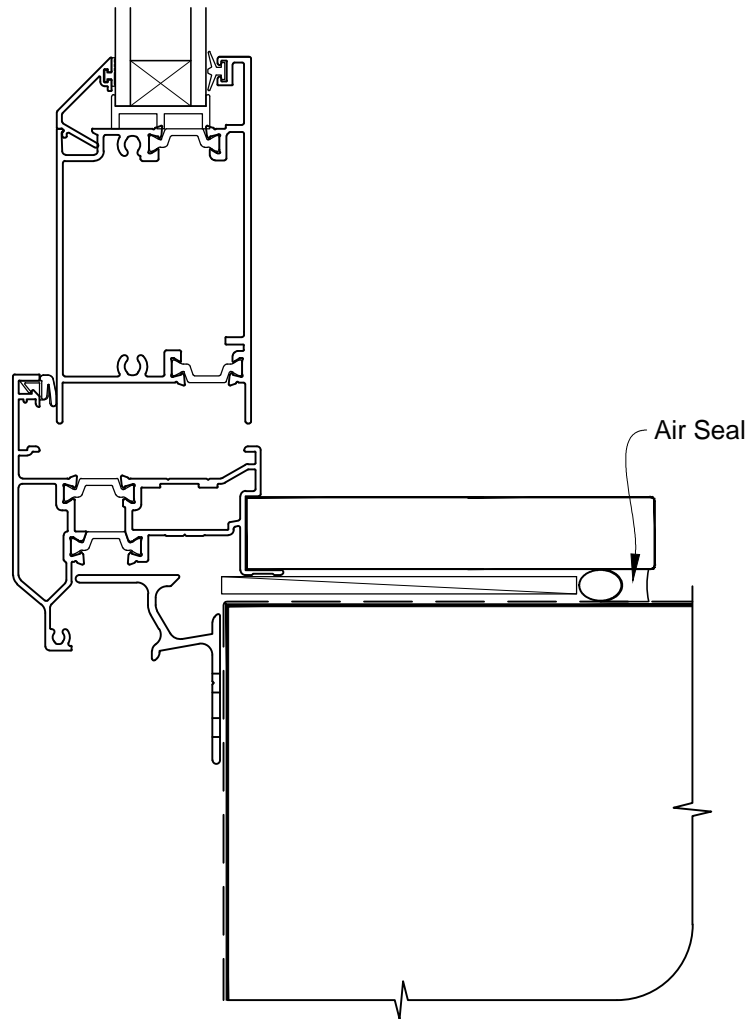


**INSTALLATION DETAIL - ALThERM RESIDENTIAL THERMAL
HEART - HINGED DOOR OPEN IN ON NO CLADDING
CAVITY CONSTRUCTION**

Date: 01.03.14

Scale: 1:2

CAD Ref.: ATHINC-CS



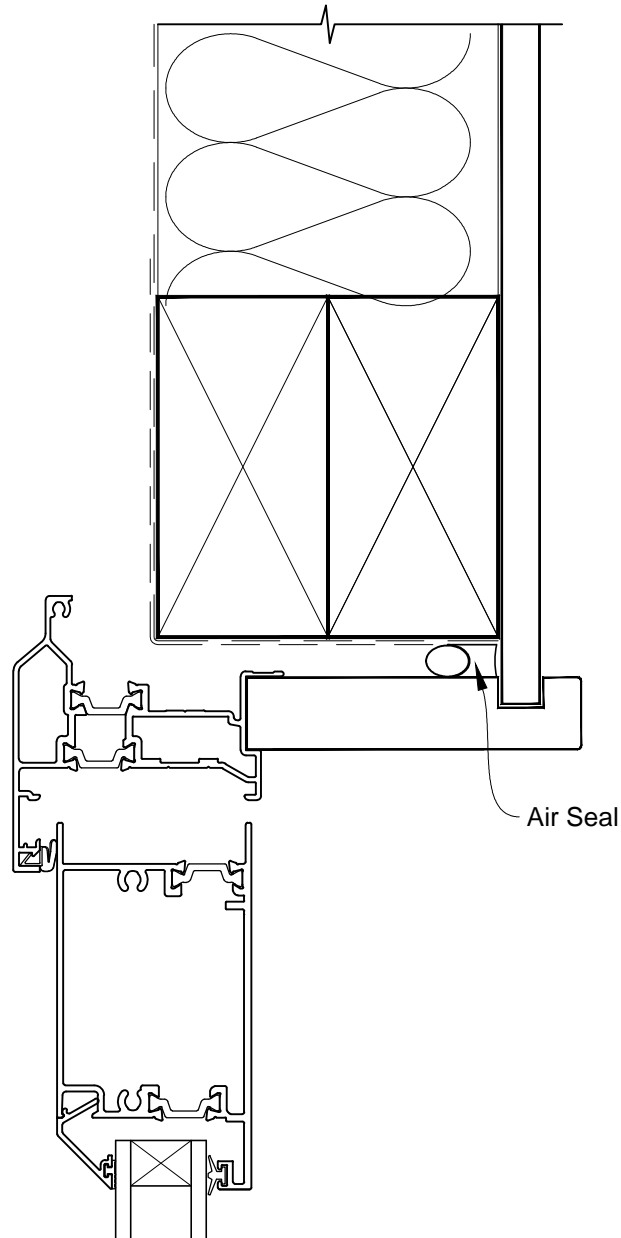


**INSTALLATION DETAIL - ALThERM RESIDENTIAL THERMAL
HEART - HINGED DOOR OPEN IN ON NO CLADDING
DIRECT FIXED CLADDING**

Date: 01.03.14

Scale: 1:2

CAD Ref.: ATHINC-DH



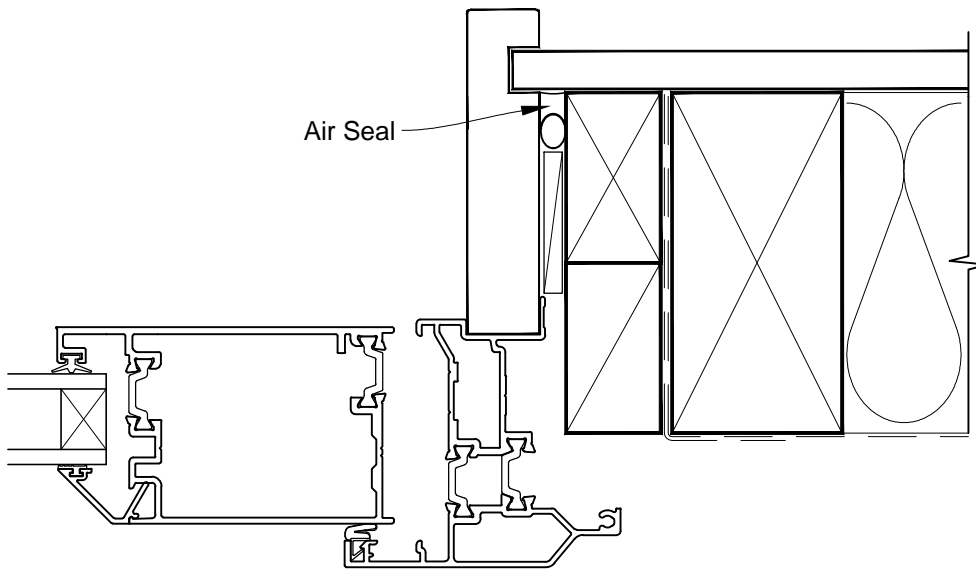


**INSTALLATION DETAIL - ALTherm RESIDENTIAL THERMAL
HEART - HINGED DOOR OPEN IN ON NO CLADDING
DIRECT FIXED CLADDING**

Date: 01.03.14

Scale: 1:2

CAD Ref.: ATHINC-DJ





**INSTALLATION DETAIL - ALThERM RESIDENTIAL THERMAL
HEART - HINGED DOOR OPEN IN ON NO CLADDING
DIRECT FIXED CLADDING**

Date: 01.03.14

Scale: 1:2

CAD Ref.: ATHINC-DS

