

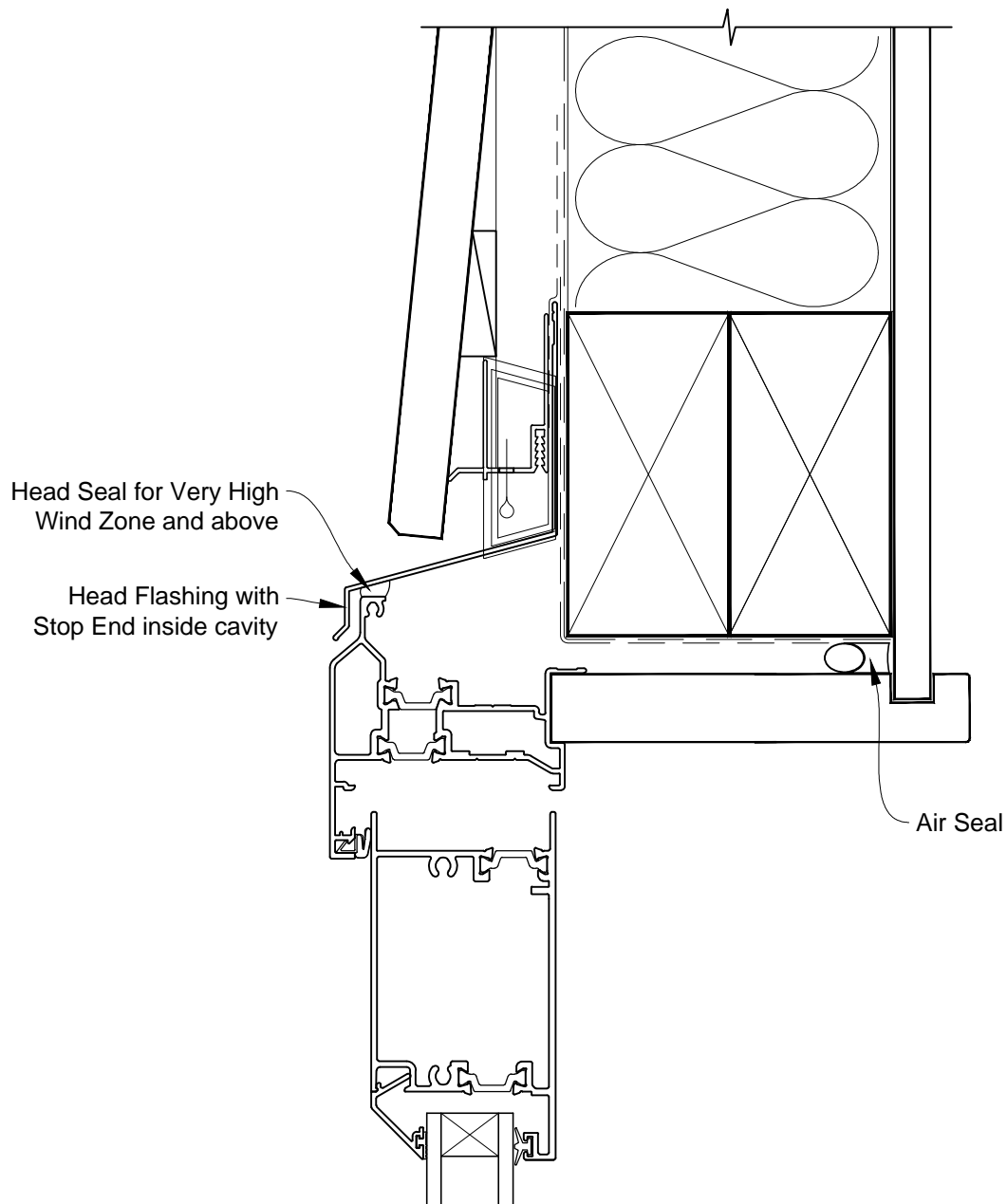


**INSTALLATION DETAIL - ALThERM RESIDENTIAL THERMAL  
HEART - HINGED DOOR OPEN IN ON BEVELBACK  
WEATHERBOARD - CAVITY CONSTRUCTION**

Date: 01.03.14

Scale: 1:2

CAD Ref.: ATHIBW-CH



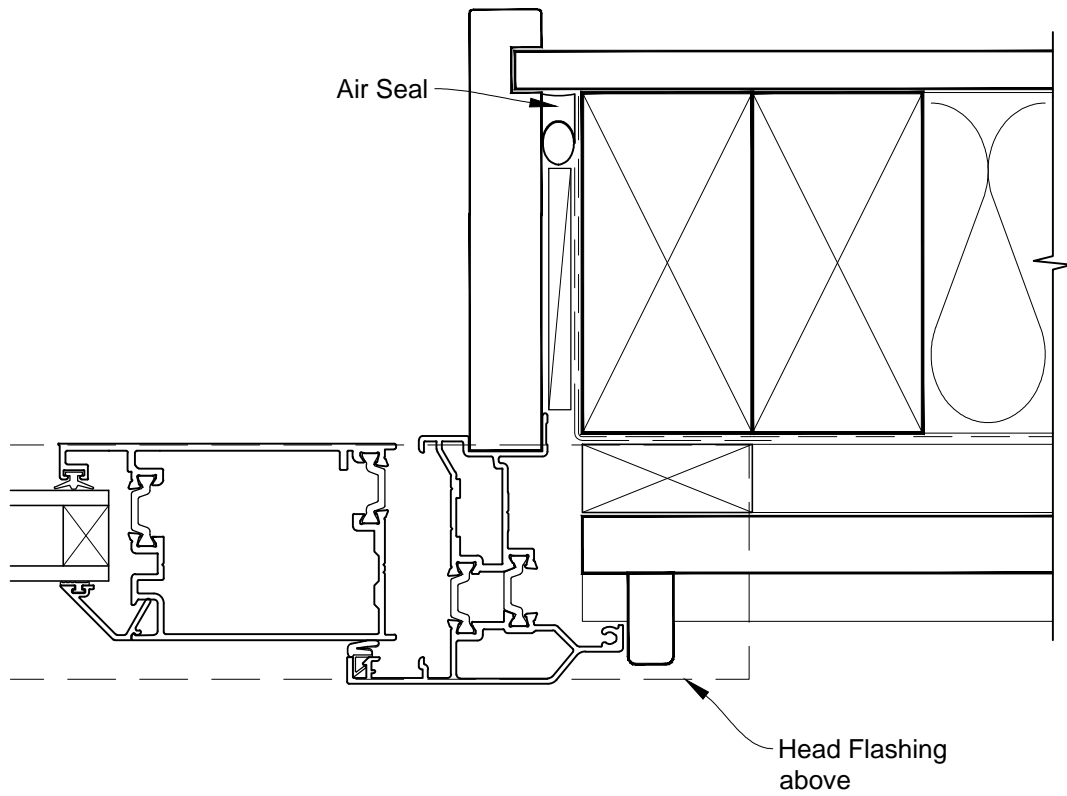


**INSTALLATION DETAIL - ALThERM RESIDENTIAL THERMAL  
HEART - HINGED DOOR OPEN IN ON BEVELBACK  
WEATHERBOARD - CAVITY CONSTRUCTION**

Date: 01.03.14

Scale: 1:2

CAD Ref.: ATHIBW-CJ



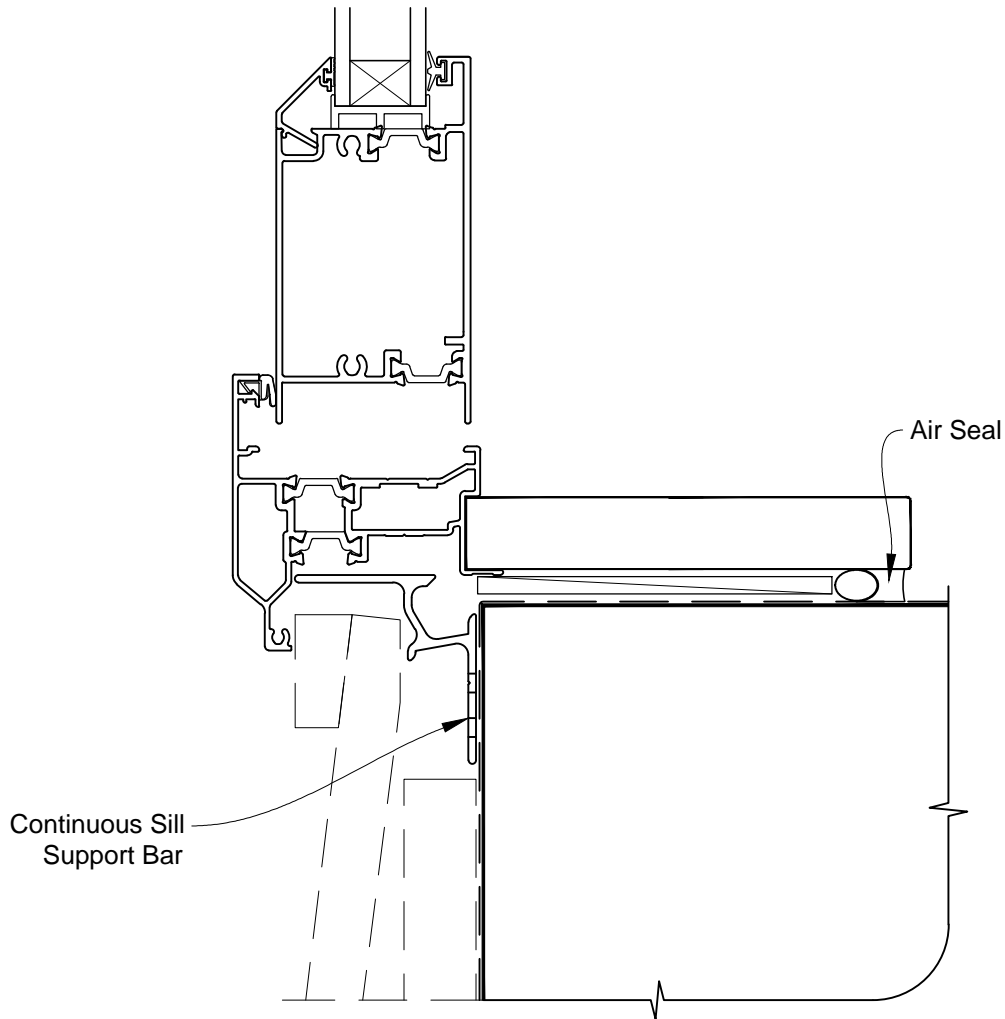


**INSTALLATION DETAIL - ALThERM RESIDENTIAL THERMAL  
HEART - HINGED DOOR OPEN IN ON BEVELBACK  
WEATHERBOARD - CAVITY CONSTRUCTION**

Date: 01.03.14

Scale: 1:2

CAD Ref.: ATHIBW-CS



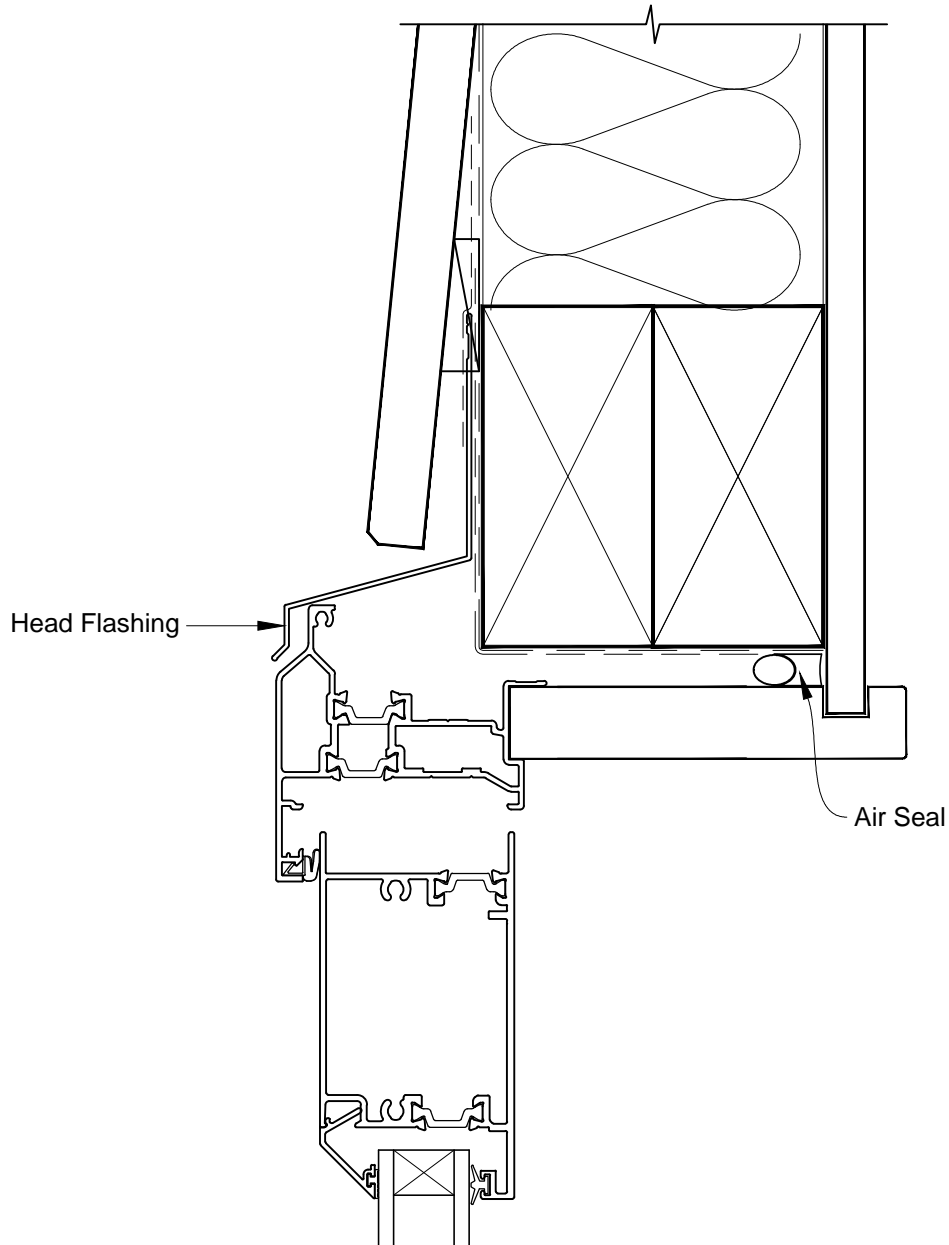


**INSTALLATION DETAIL - ALThERM RESIDENTIAL THERMAL  
HEART - HINGED DOOR OPEN IN ON BEVELBACK  
WEATHERBOARD - DIRECT FIXED CLADDING**

Date: 01.03.14

Scale: 1:2

CAD Ref.: ATHIBW-DH



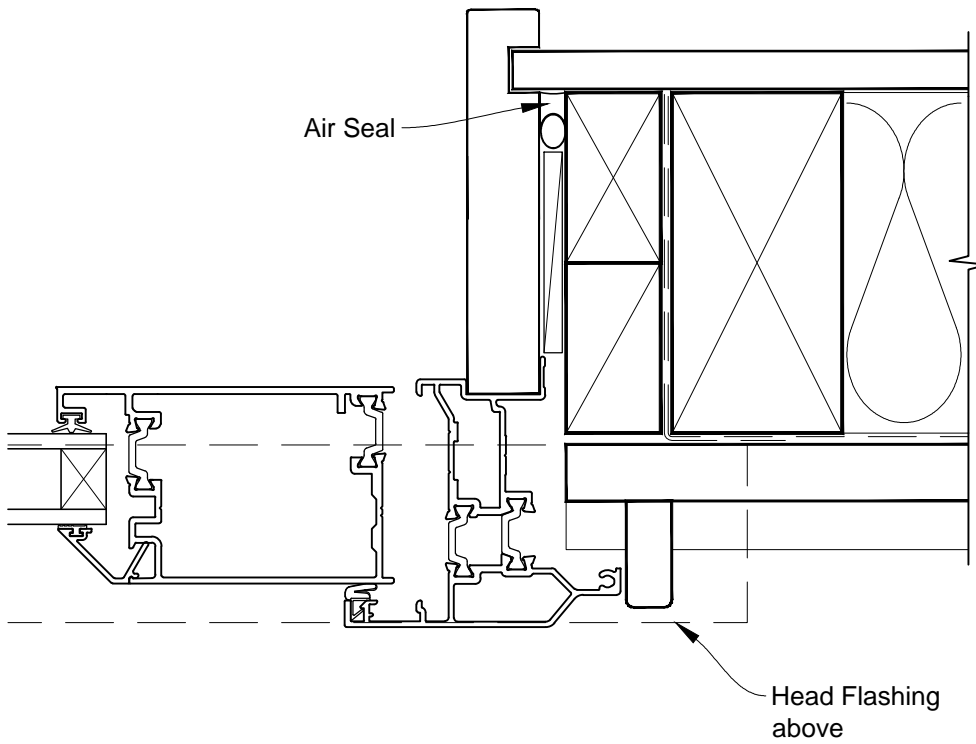


**INSTALLATION DETAIL - ALThERM RESIDENTIAL THERMAL  
HEART - HINGED DOOR OPEN IN ON BEVELBACK  
WEATHERBOARD - DIRECT FIXED CLADDING**

Date: 01.03.14

Scale: 1:2

CAD Ref.: ATHIBW-DJ





**INSTALLATION DETAIL - ALTherm RESIDENTIAL THERMAL  
HEART - HINGED DOOR OPEN IN ON BEVELBACK  
WEATHERBOARD - DIRECT FIXED CLADDING**

Date: 01.03.14

Scale: 1:2

CAD Ref.: ATHIBW-DS

