

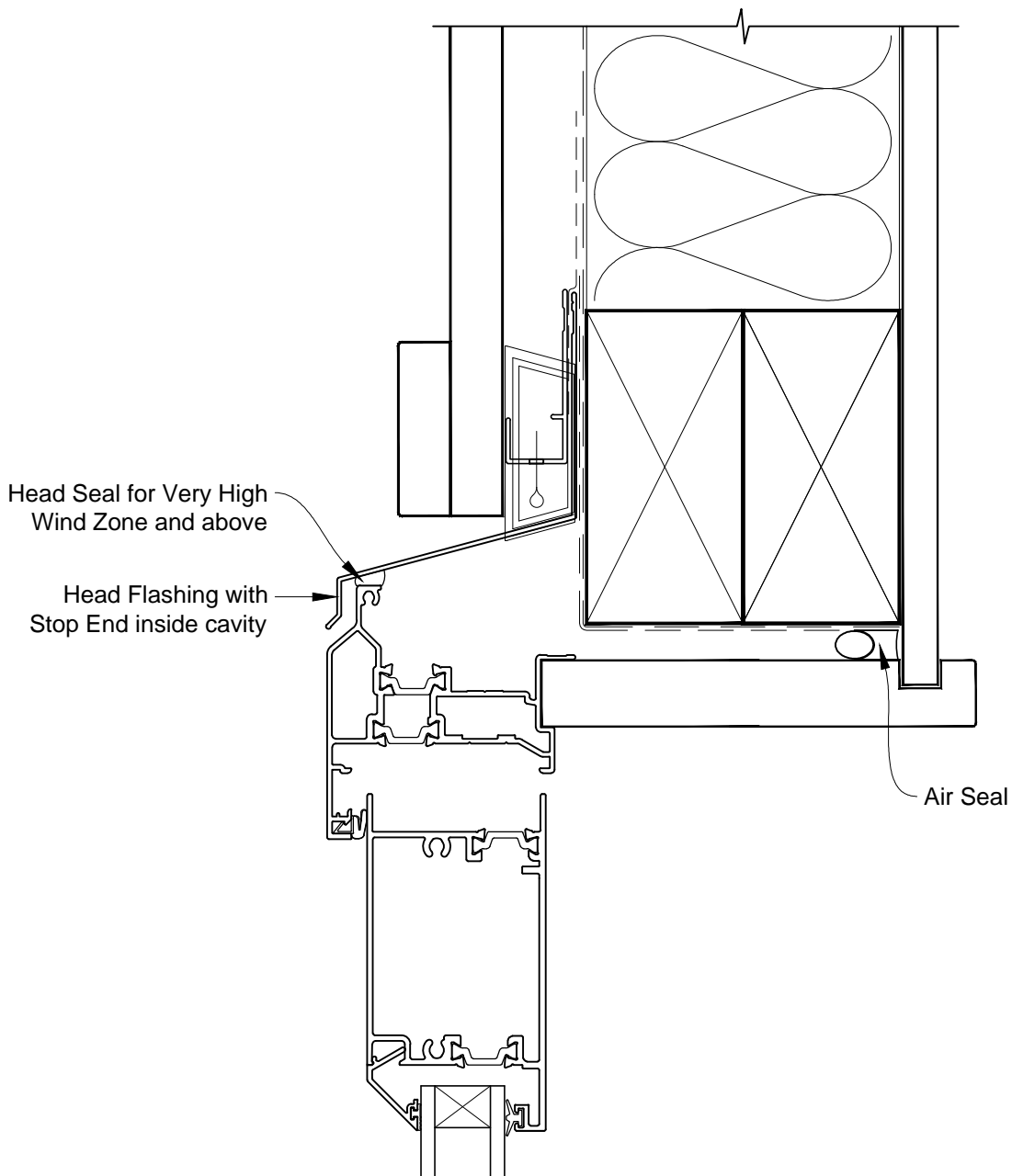


INSTALLATION DETAIL - ALThERM RESIDENTIAL THERMAL HEART - HINGED DOOR OPEN IN DOOR ON BOARD & BATTEN CAVITY CONSTRUCTION

Date: 01.03.14

Scale: 1:2

CAD Ref.: ATHIBB-CH



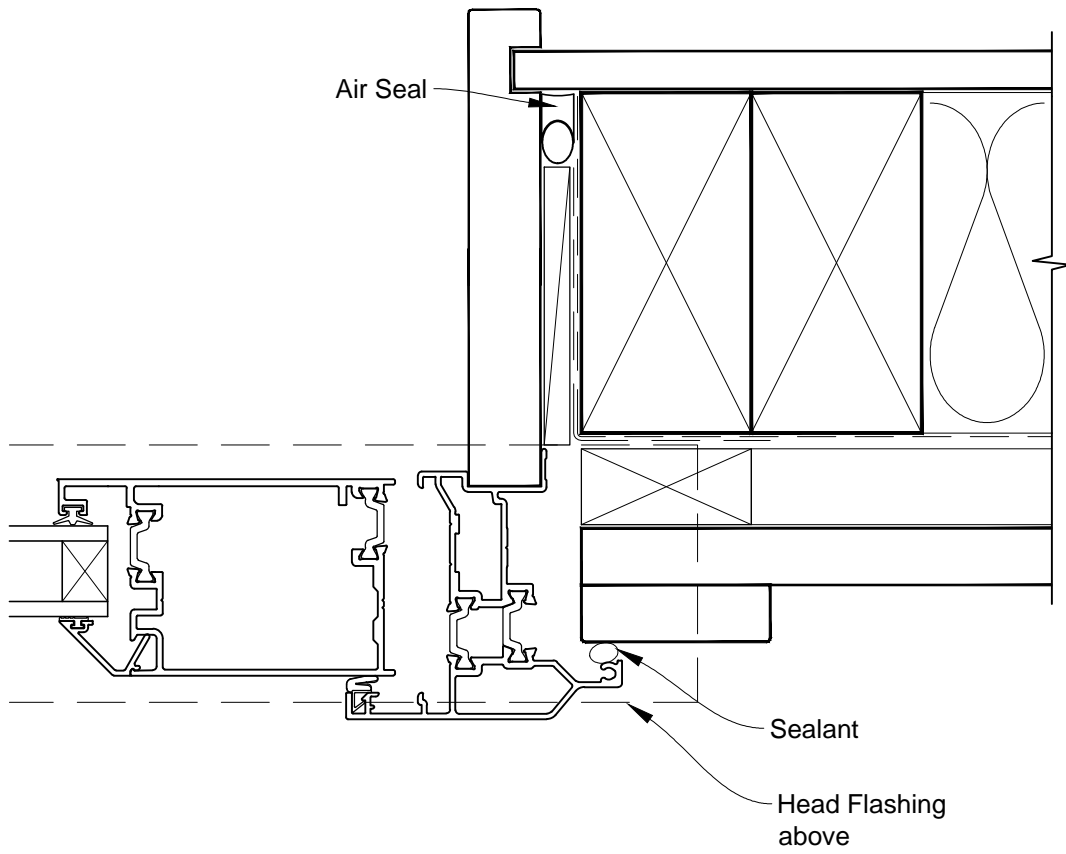


INSTALLATION DETAIL - ALThERM RESIDENTIAL THERMAL HEART - HINGED DOOR OPEN IN DOOR ON BOARD & BATTEN CAVITY CONSTRUCTION

Date: 01.03.14

Scale: 1:2

CAD Ref.: ATHIBB-CJ



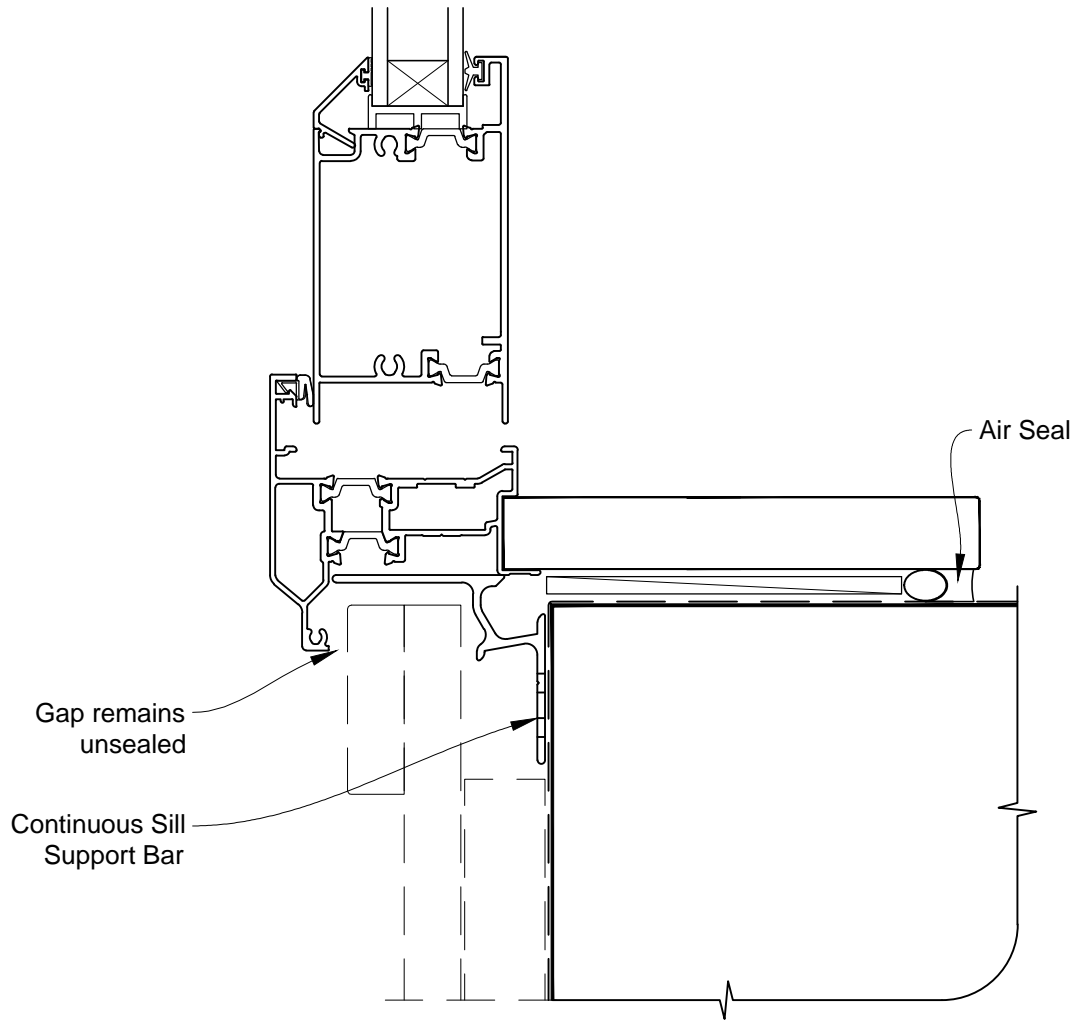


INSTALLATION DETAIL - ALTherm RESIDENTIAL THERMAL HEART - HINGED DOOR OPEN IN DOOR ON BOARD & BATTEN CAVITY CONSTRUCTION

Date: 01.03.14

Scale: 1:2

CAD Ref.: ATHIBB-CS



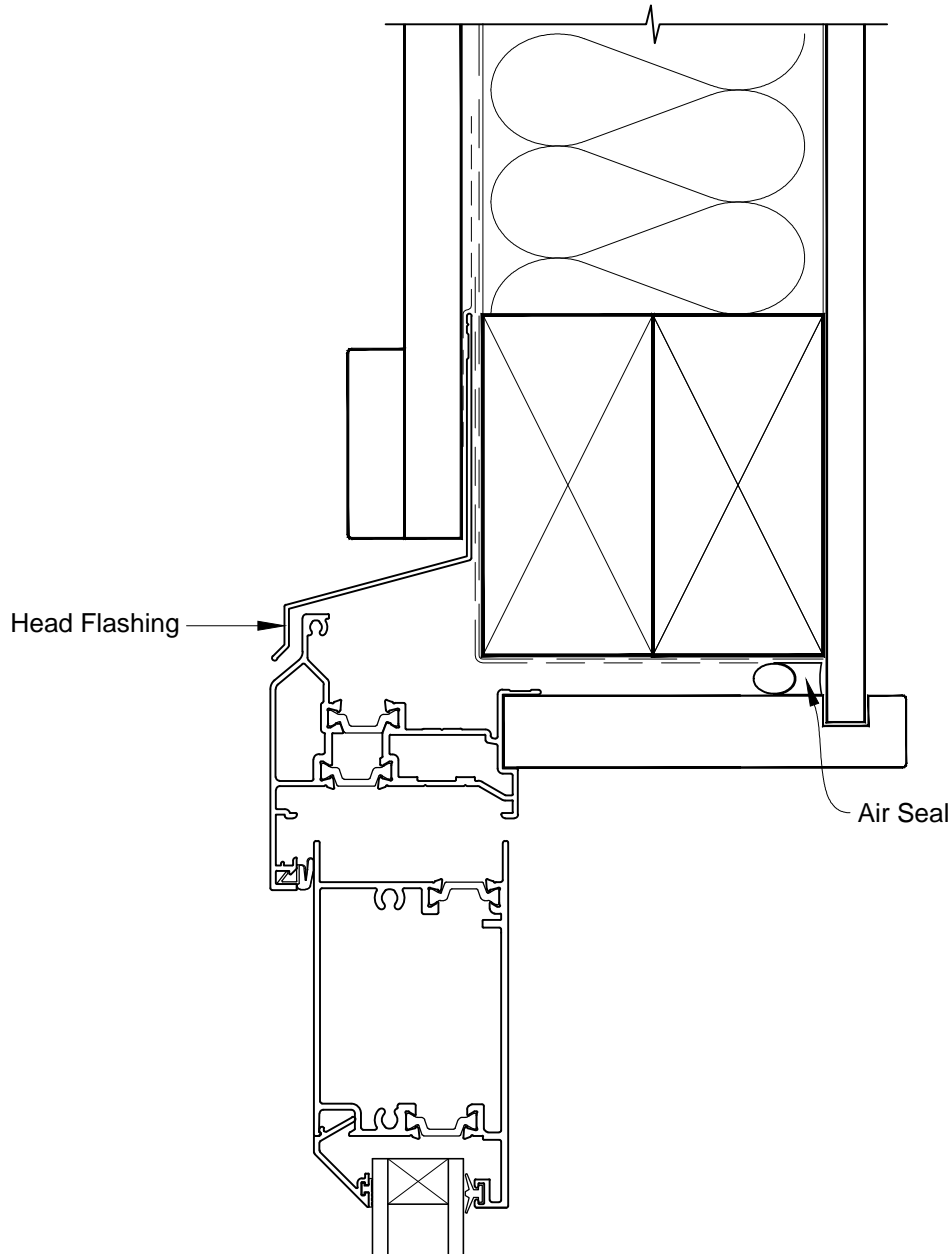


INSTALLATION DETAIL - ALThERM RESIDENTIAL THERMAL HEART - HINGED DOOR OPEN IN DOOR ON BOARD & BATTEN DIRECT FIXED CLADDING

Date: 01.03.14

Scale: 1:2

CAD Ref.: ATHIBB-DH



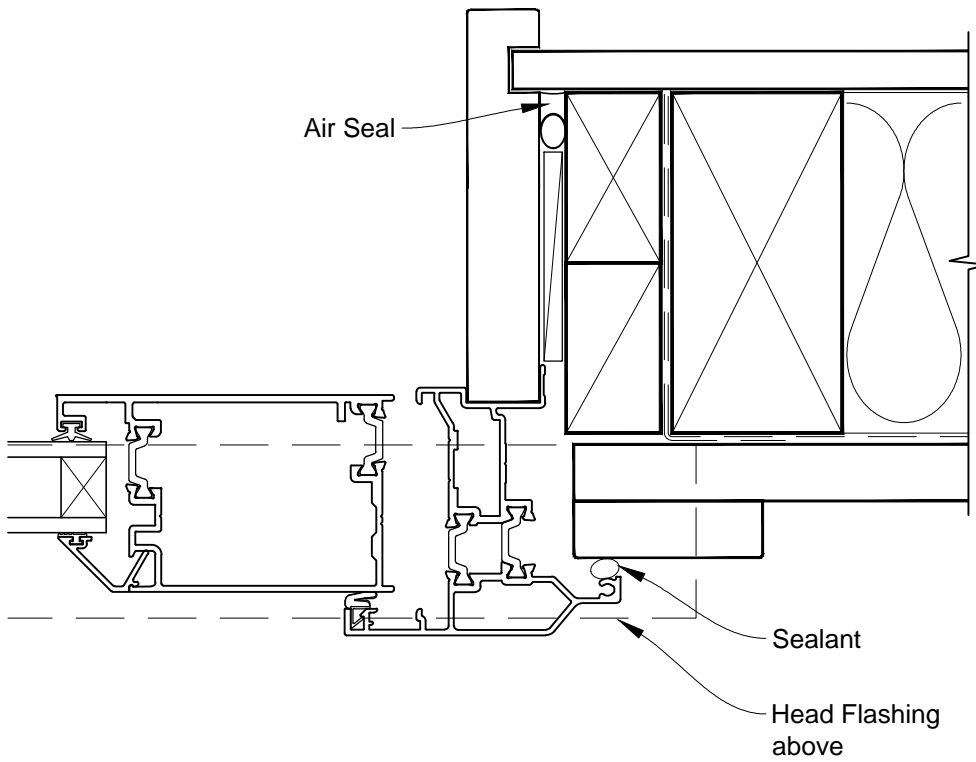


**INSTALLATION DETAIL - ALThERM RESIDENTIAL THERMAL
HEART - HINGED DOOR OPEN IN DOOR ON BOARD & BATTEN
DIRECT FIXED CLADDING**

Date: 01.03.14

Scale: 1:2

CAD Ref.: ATHIBB-DJ





INSTALLATION DETAIL - ALThERM RESIDENTIAL THERMAL HEART - HINGED DOOR OPEN IN DOOR ON BOARD & BATTEN DIRECT FIXED CLADDING

Date: 01.03.14

Scale: 1:2

CAD Ref.: ATHIBB-DS

