

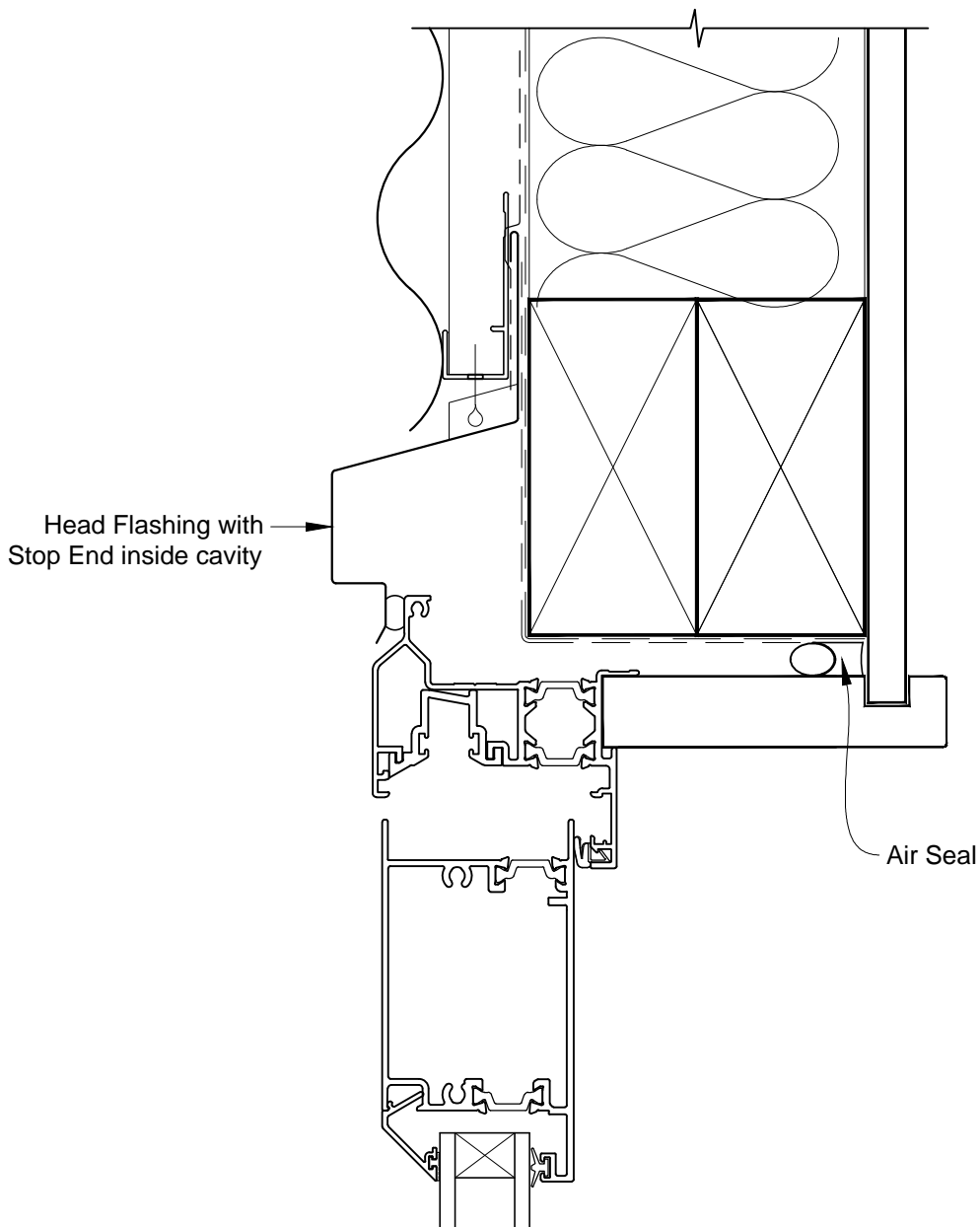


# INSTALLATION DETAIL - ALThERM RESIDENTIAL THERMAL HEART - BIFOLD DOOR OPEN OUT ON PROFILE METAL CAVITY CONSTRUCTION

Date: 01.03.14

Scale: 1:2

CAD Ref.: ATBDPM-CH



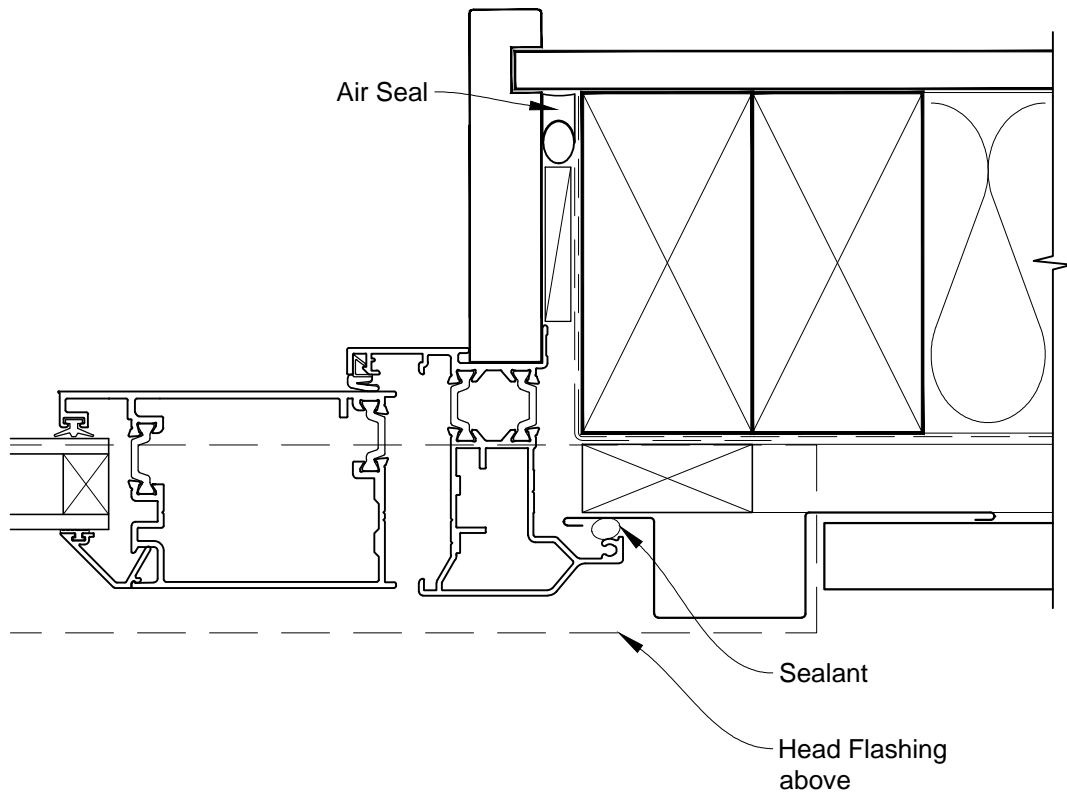


# INSTALLATION DETAIL - ALThERM RESIDENTIAL THERMAL HEART - BIFOLD DOOR OPEN OUT ON PROFILE METAL CAVITY CONSTRUCTION

Date: 01.03.14

Scale: 1:2

CAD Ref.: ATBDPM-CJ



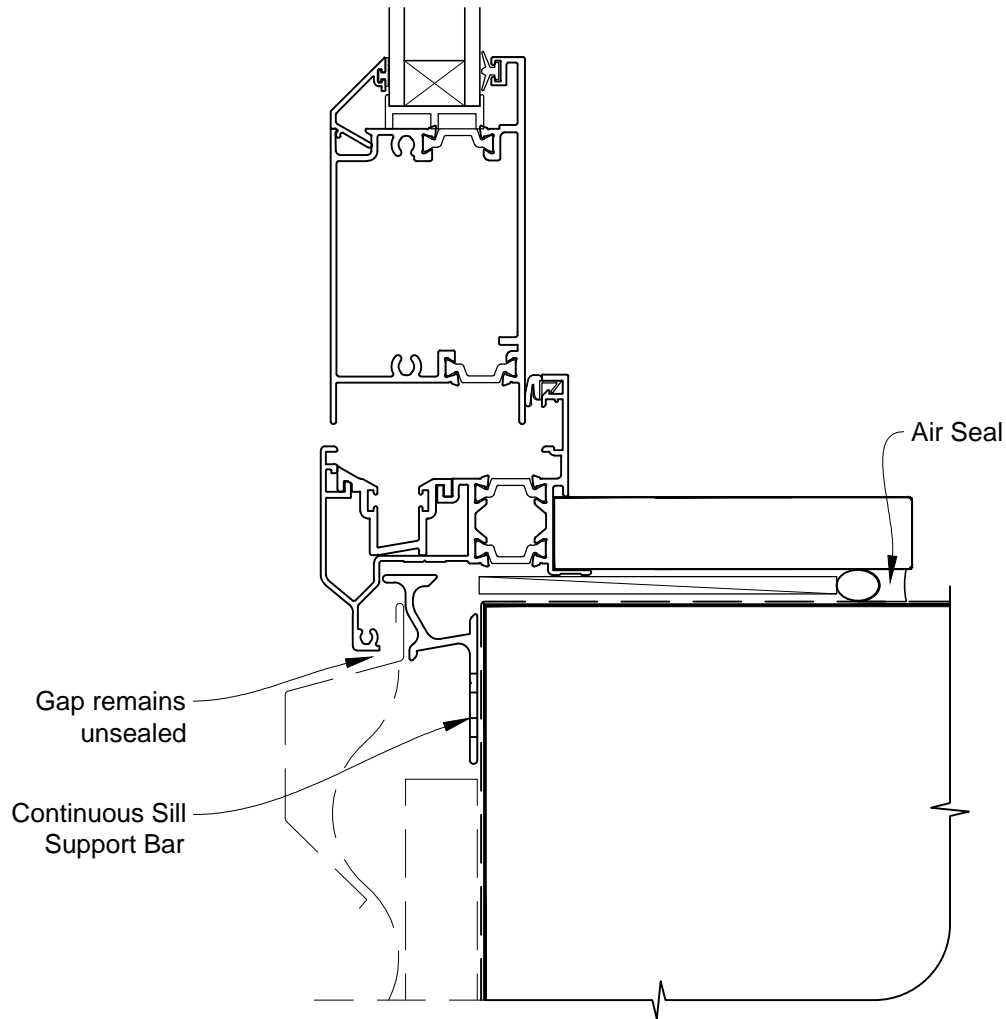


# INSTALLATION DETAIL - ALThERM RESIDENTIAL THERMAL HEART - BIFOLD DOOR OPEN OUT ON PROFILE METAL CAVITY CONSTRUCTION

Date: 01.03.14

Scale: 1:2

CAD Ref.: ATBDPM-CS



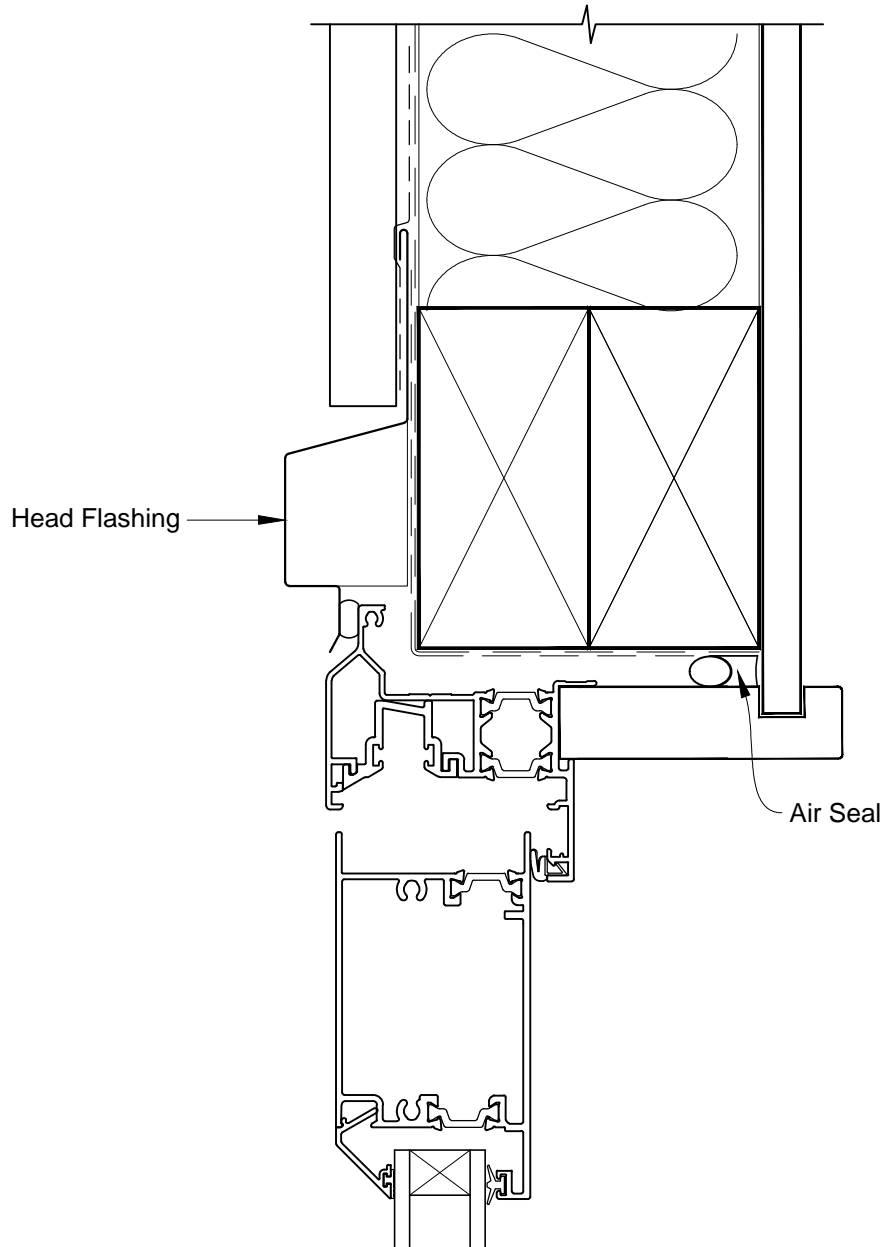


**INSTALLATION DETAIL - ALThERM RESIDENTIAL THERMAL HEART - BIFOLD DOOR OPEN OUT ON PROFILE METAL DIRECT FIXED CLADDING**

Date: 01.03.14

Scale: 1:2

CAD Ref.: ATBDPM-DH



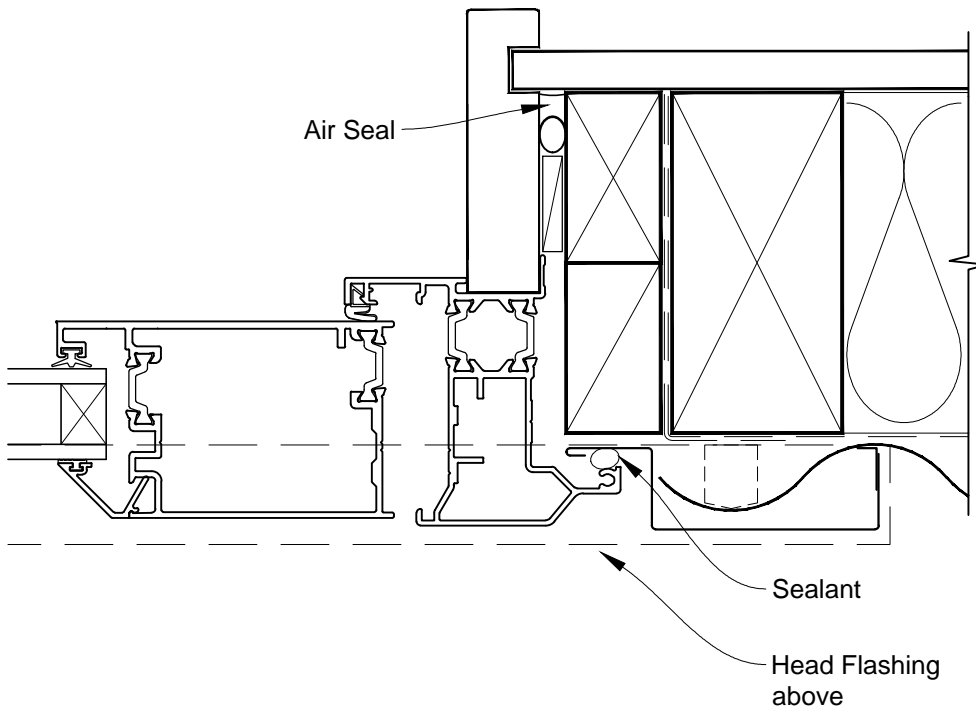


**INSTALLATION DETAIL - ALThERM RESIDENTIAL THERMAL  
HEART - BIFOLD DOOR OPEN OUT ON PROFILE METAL  
DIRECT FIXED CLADDING**

Date: 01.03.14

Scale: 1:2

CAD Ref.: ATBDPM-DJ





**INSTALLATION DETAIL - ALThERM RESIDENTIAL THERMAL  
HEART - BIFOLD DOOR OPEN OUT ON PROFILE METAL  
DIRECT FIXED CLADDING**

Date: 01.03.14

Scale: 1:2

CAD Ref.: ATBDPM-DS

