

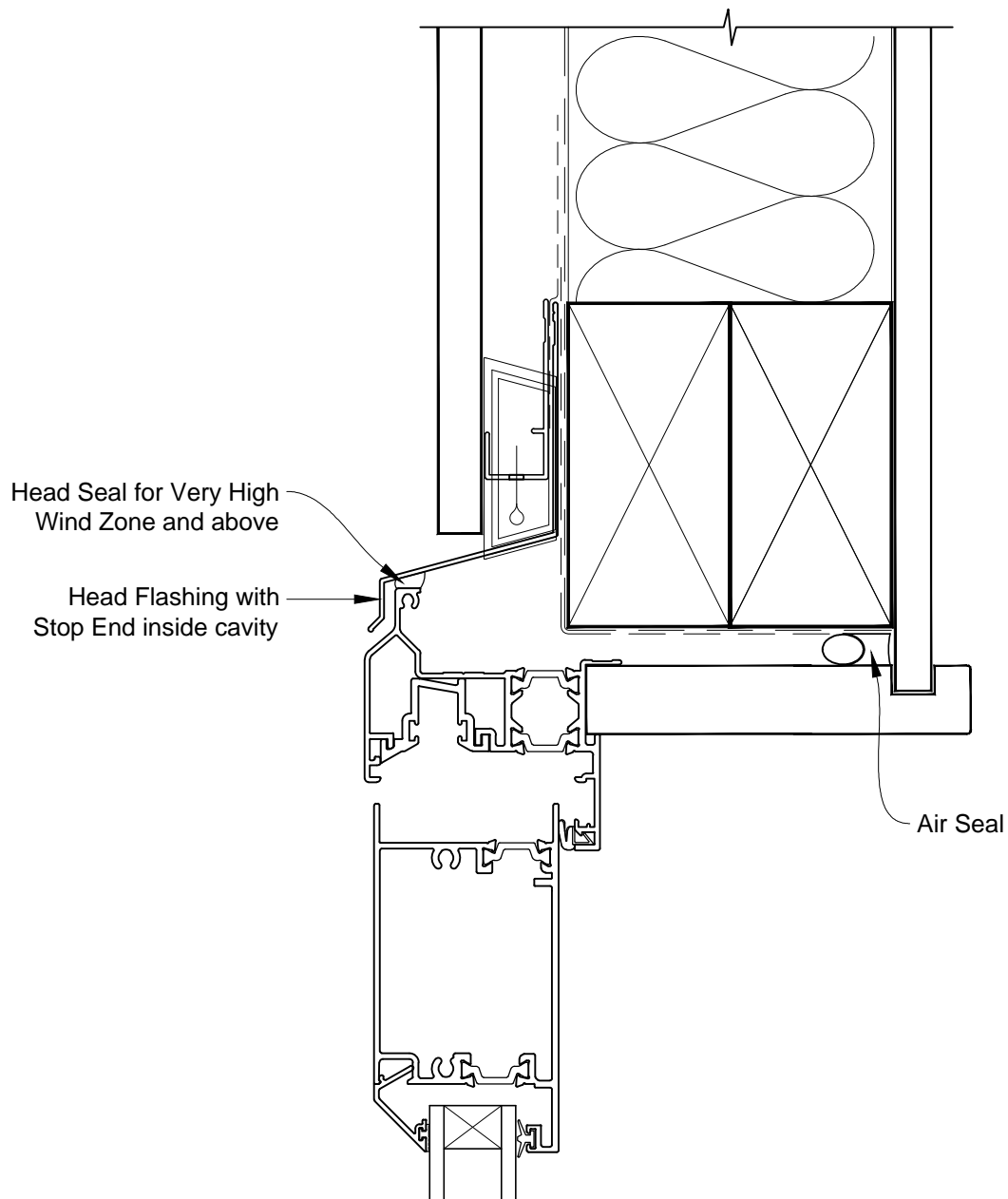


INSTALLATION DETAIL - ALThERM RESIDENTIAL THERMAL HEART - BIFOLD DOOR OPEN OUT ON FLAT SHEET CAVITY CONSTRUCTION

Date: 01.03.14

Scale: 1:2

CAD Ref.: ATBDFS-CH



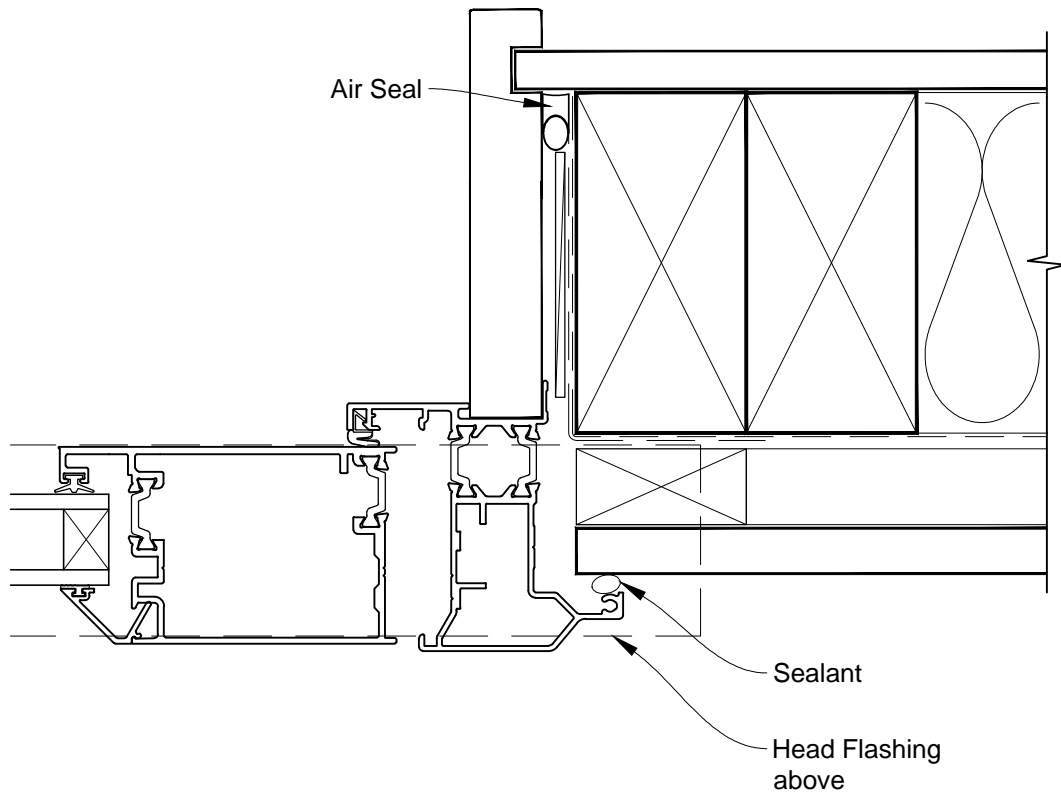


INSTALLATION DETAIL - ALTherm RESIDENTIAL THERMAL HEART - BIFOLD DOOR OPEN OUT ON FLAT SHEET CAVITY CONSTRUCTION

Date: 01.03.14

Scale: 1:2

CAD Ref.: ATBDFS-CJ



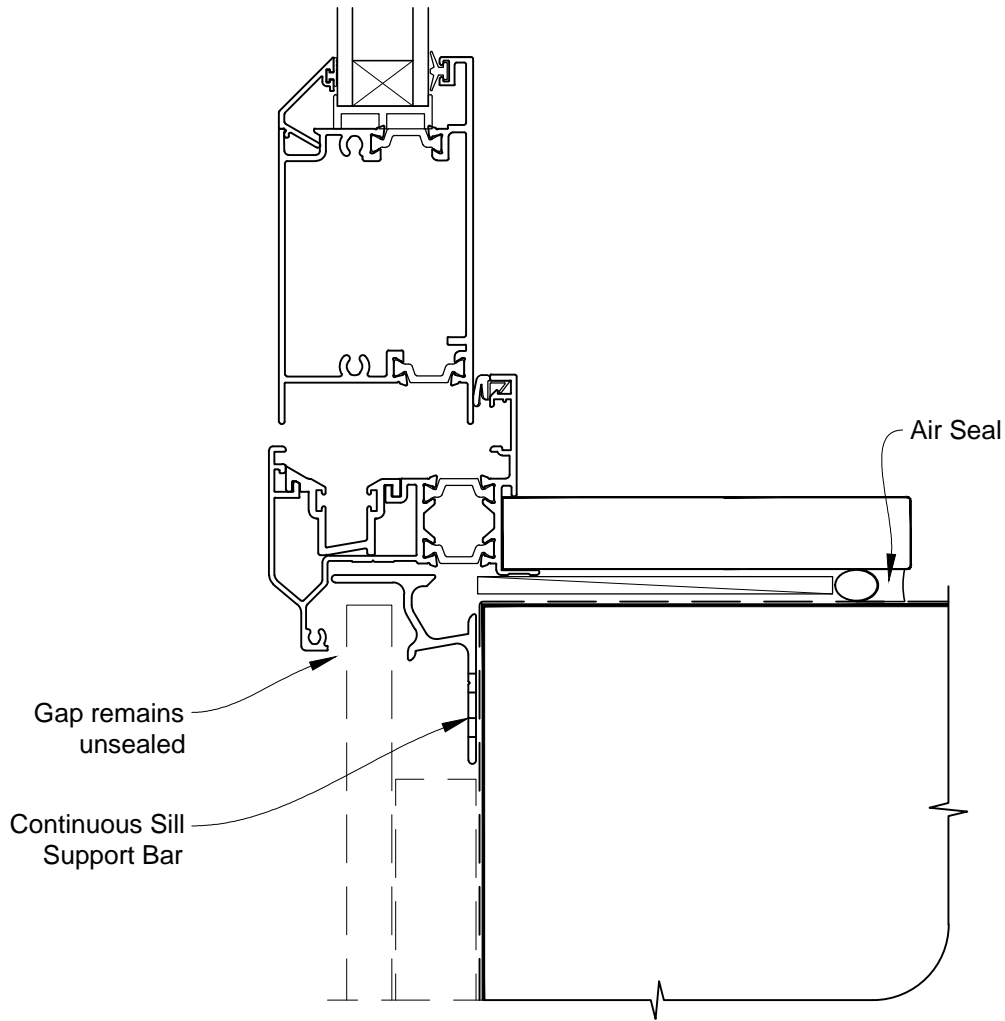


INSTALLATION DETAIL - ALThERM RESIDENTIAL THERMAL HEART - BIFOLD DOOR OPEN OUT ON FLAT SHEET CAVITY CONSTRUCTION

Date: 01.03.14

Scale: 1:2

CAD Ref.: ATBDFS-CS



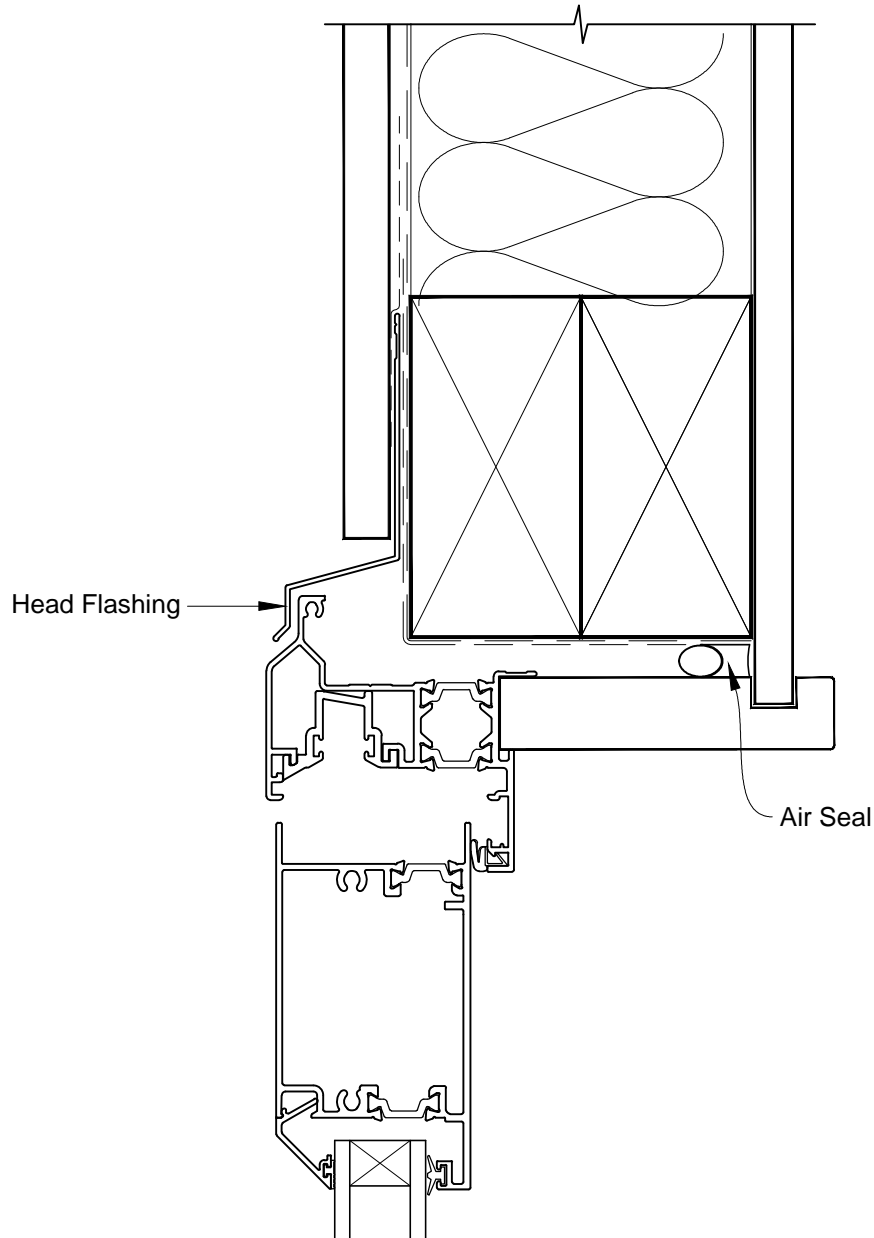


**INSTALLATION DETAIL - ALTherm RESIDENTIAL THERMAL
HEART - BIFOLD DOOR OPEN OUT ON FLAT SHEET
DIRECT FIXED CLADDING**

Date: 01.03.14

Scale: 1:2

CAD Ref.: ATBDFS-DH



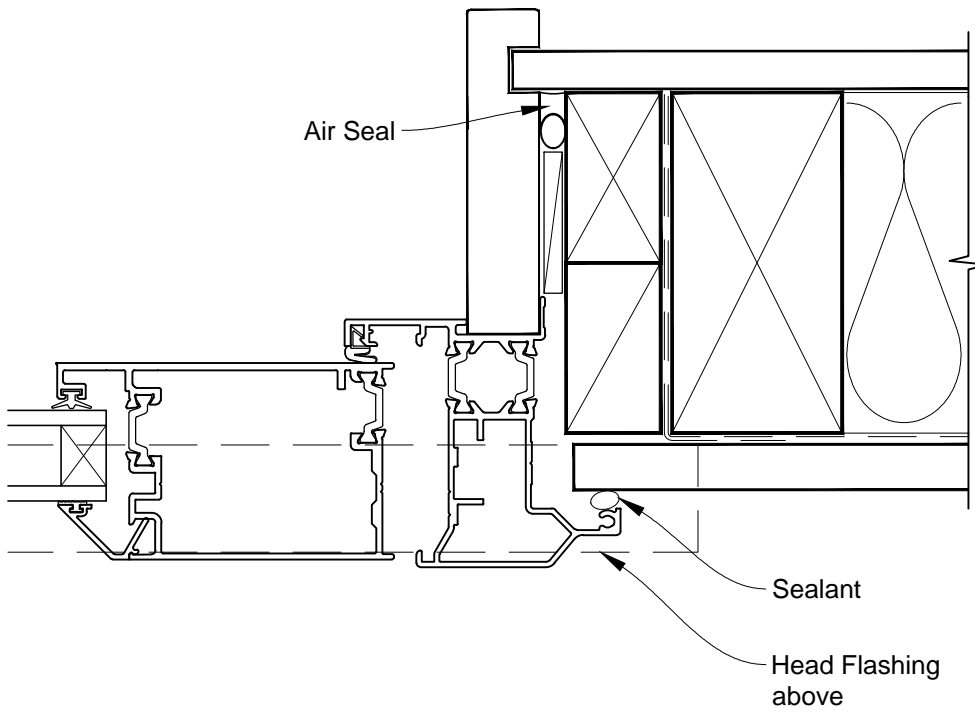


**INSTALLATION DETAIL - ALTherm RESIDENTIAL THERMAL
HEART - BIFOLD DOOR OPEN OUT ON FLAT SHEET
DIRECT FIXED CLADDING**

Date: 01.03.14

Scale: 1:2

CAD Ref.: ATBDFS-DJ





**INSTALLATION DETAIL - ALThERM RESIDENTIAL THERMAL
HEART - BIFOLD DOOR OPEN OUT ON FLAT SHEET
DIRECT FIXED CLADDING**

Date: 01.03.14

Scale: 1:2

CAD Ref.: ATBDFS-DS

