

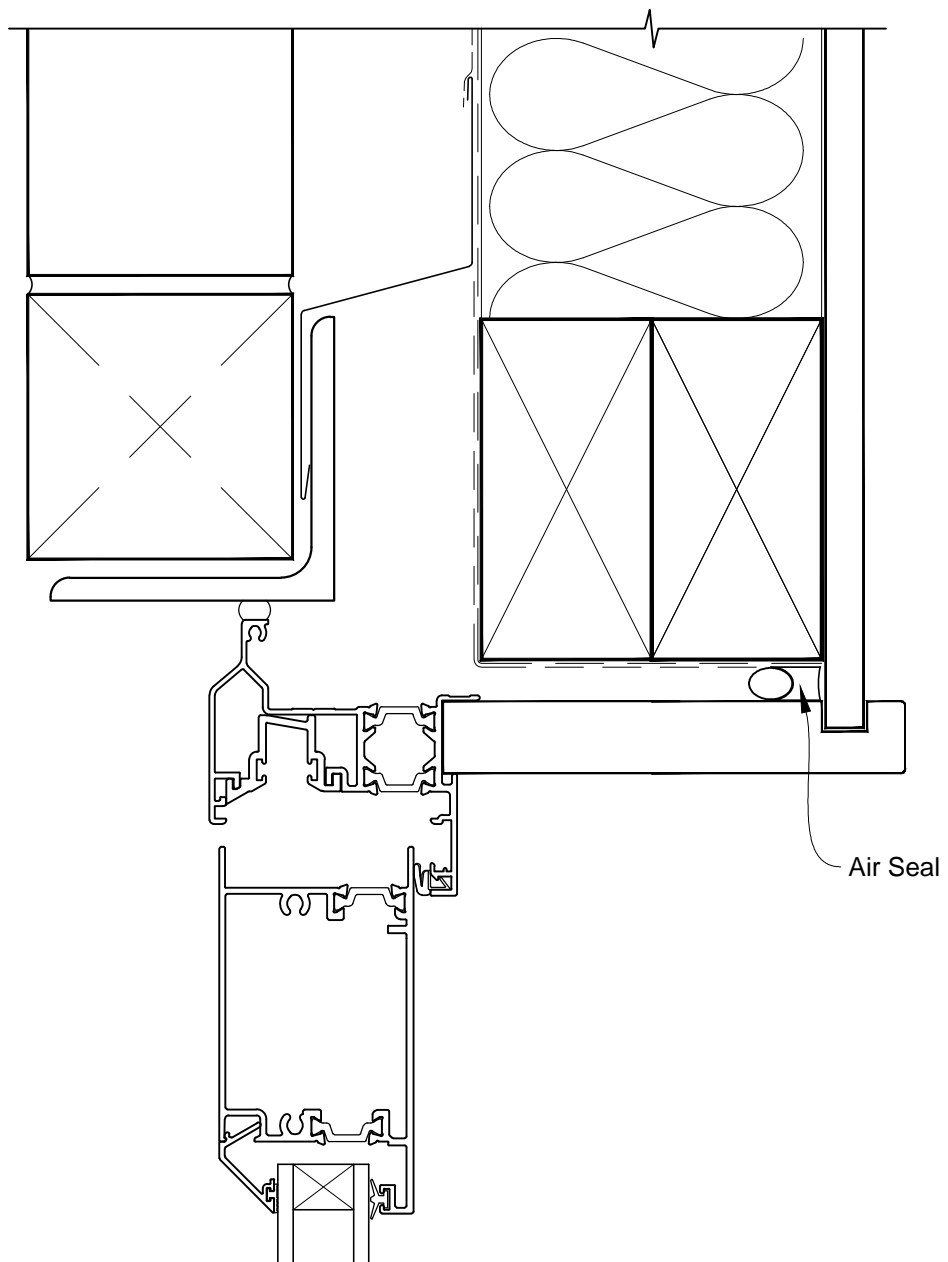


**INSTALLATION DETAIL - ALThERM RESIDENTIAL THERMAL
HEART - BIFOLD DOOR OPEN OUT DOOR ON BRICK VENEER
CAVITY CONSTRUCTION**

Date: 01.03.14

Scale: 1:2

CAD Ref.: ATBDBV-CH



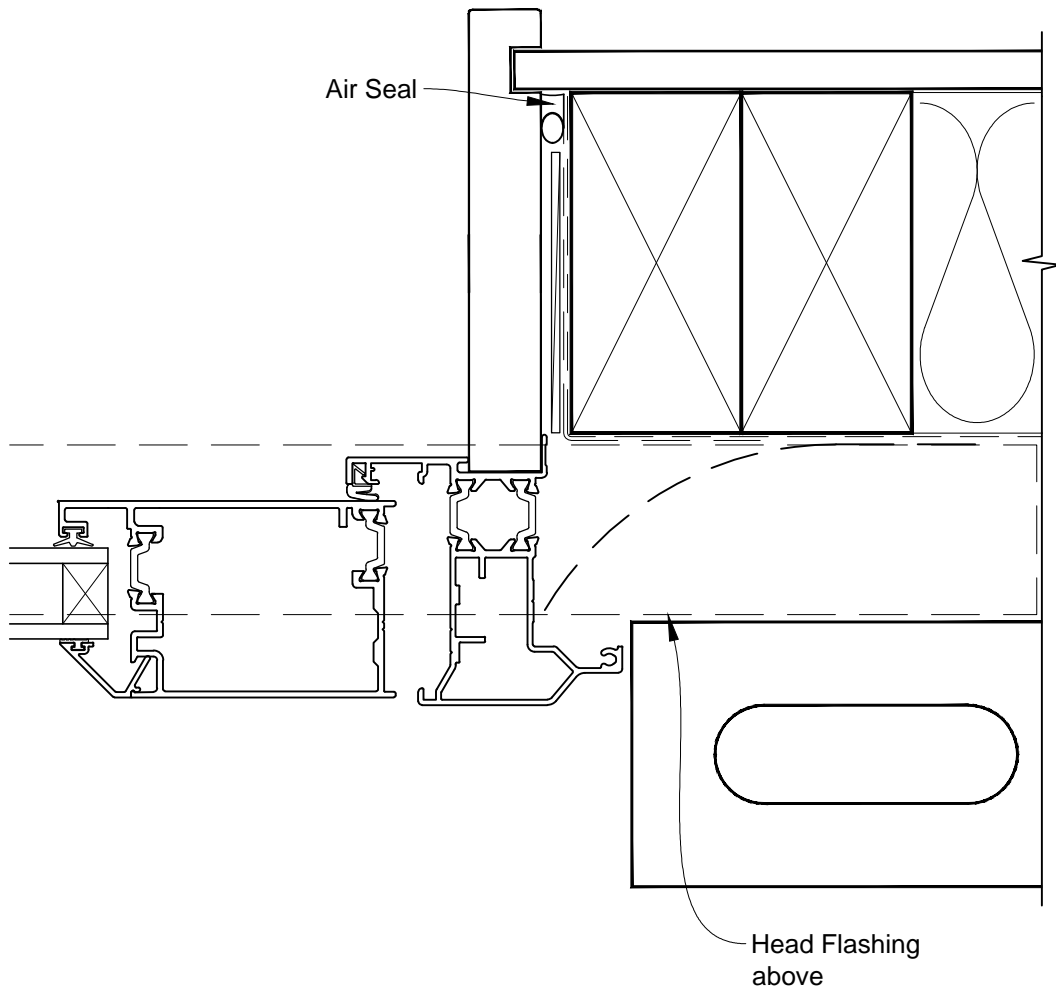


INSTALLATION DETAIL - ALThERM RESIDENTIAL THERMAL HEART - BIFOLD DOOR OPEN OUT DOOR ON BRICK VENEER CAVITY CONSTRUCTION

Date: 01.03.14

Scale: 1:2

CAD Ref.: ATBDBV-CJ





INSTALLATION DETAIL - ALTherm RESIDENTIAL THERMAL HEART - BIFOLD DOOR OPEN OUT DOOR ON BRICK VENEER CAVITY CONSTRUCTION

Date: 01.03.14

Scale: 1:2

CAD Ref.: ATBDBV-CS

