

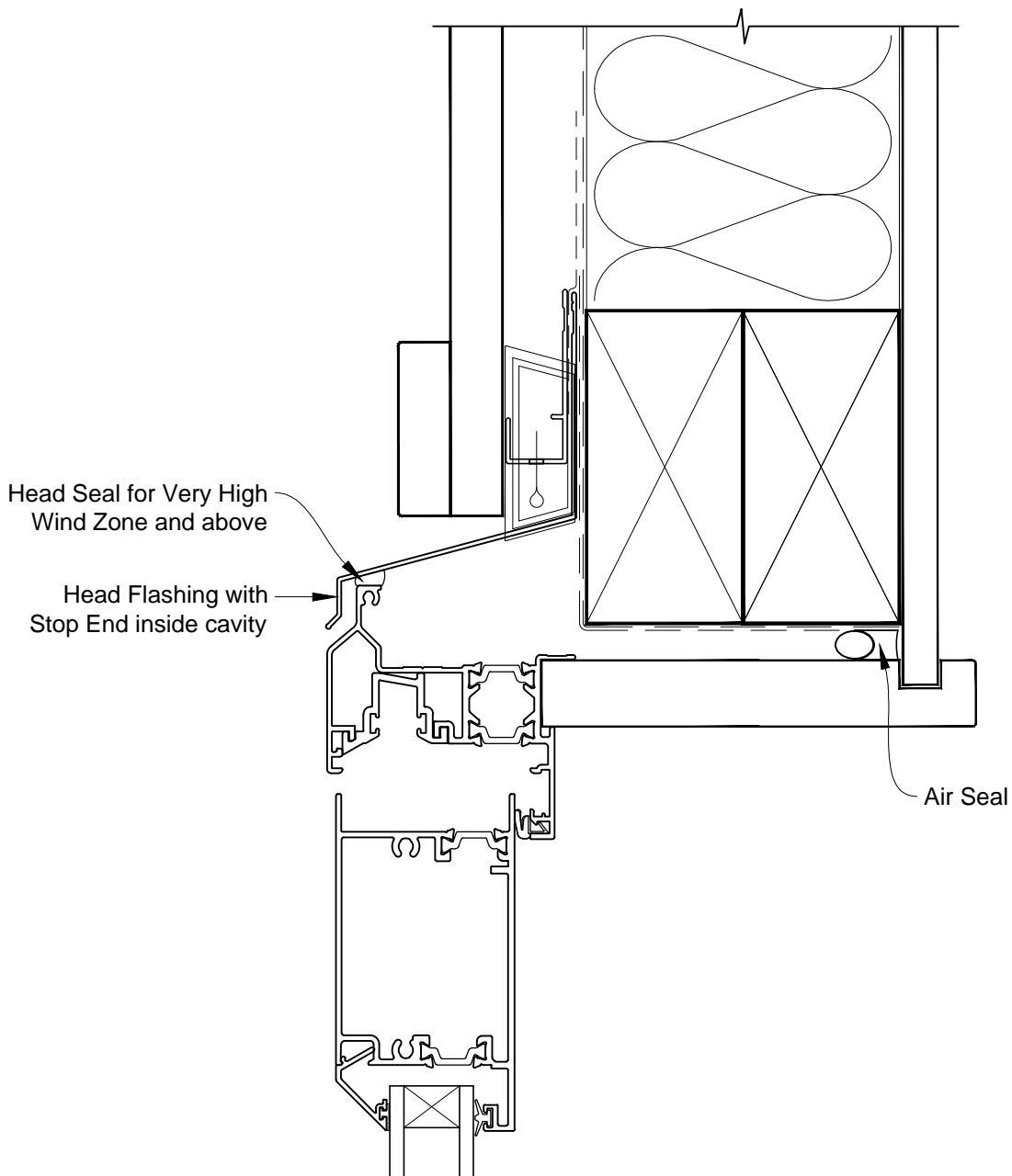


INSTALLATION DETAIL - ALThERM RESIDENTIAL THERMAL HEART - BIFOLD DOOR OPEN OUT DOOR ON BOARD & BATTEN CAVITY CONSTRUCTION

Date: 01.03.14

Scale: 1:2

CAD Ref.: ATBDBB-CH



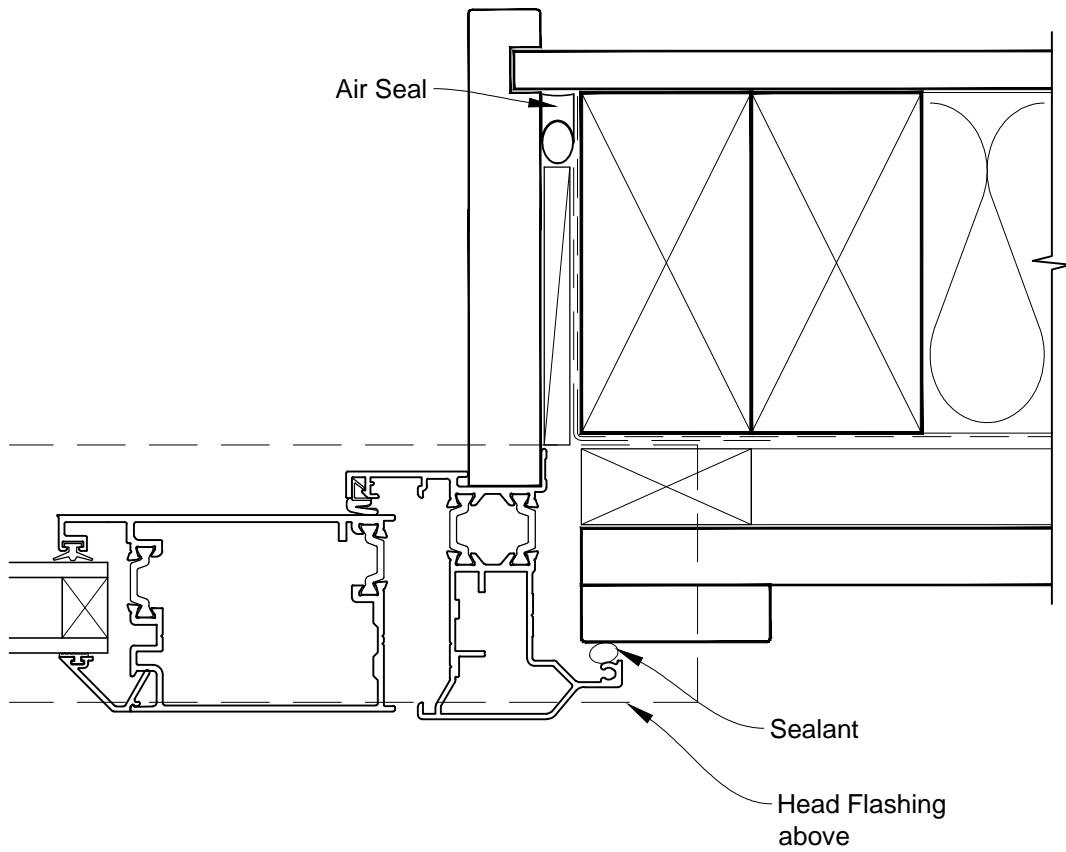


INSTALLATION DETAIL - ALThERM RESIDENTIAL THERMAL HEART - BIFOLD DOOR OPEN OUT DOOR ON BOARD & BATTEN CAVITY CONSTRUCTION

Date: 01.03.14

Scale: 1:2

CAD Ref.: ATBDBB-CJ



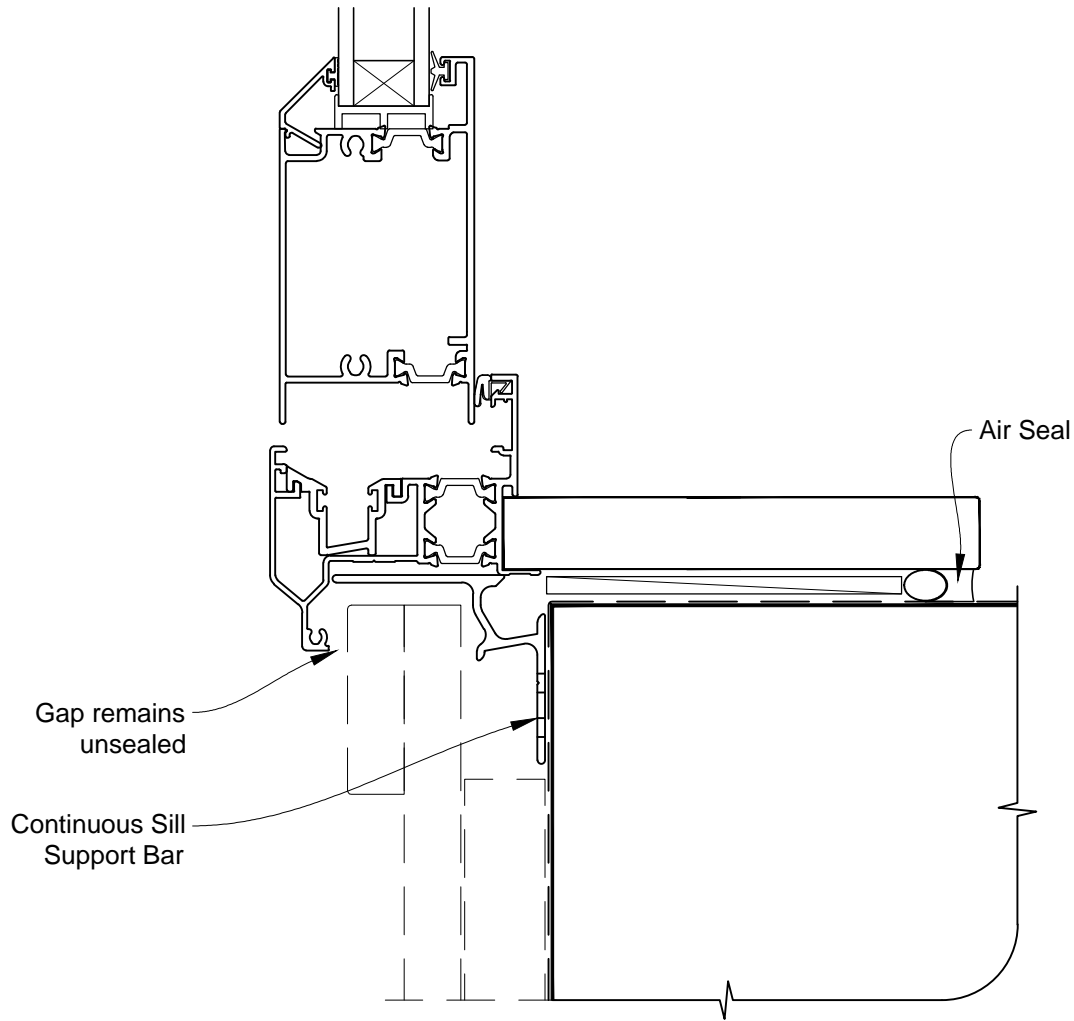


INSTALLATION DETAIL - ALThERM RESIDENTIAL THERMAL HEART - BIFOLD DOOR OPEN OUT DOOR ON BOARD & BATTEN CAVITY CONSTRUCTION

Date: 01.03.14

Scale: 1:2

CAD Ref.: ATBDBB-CS



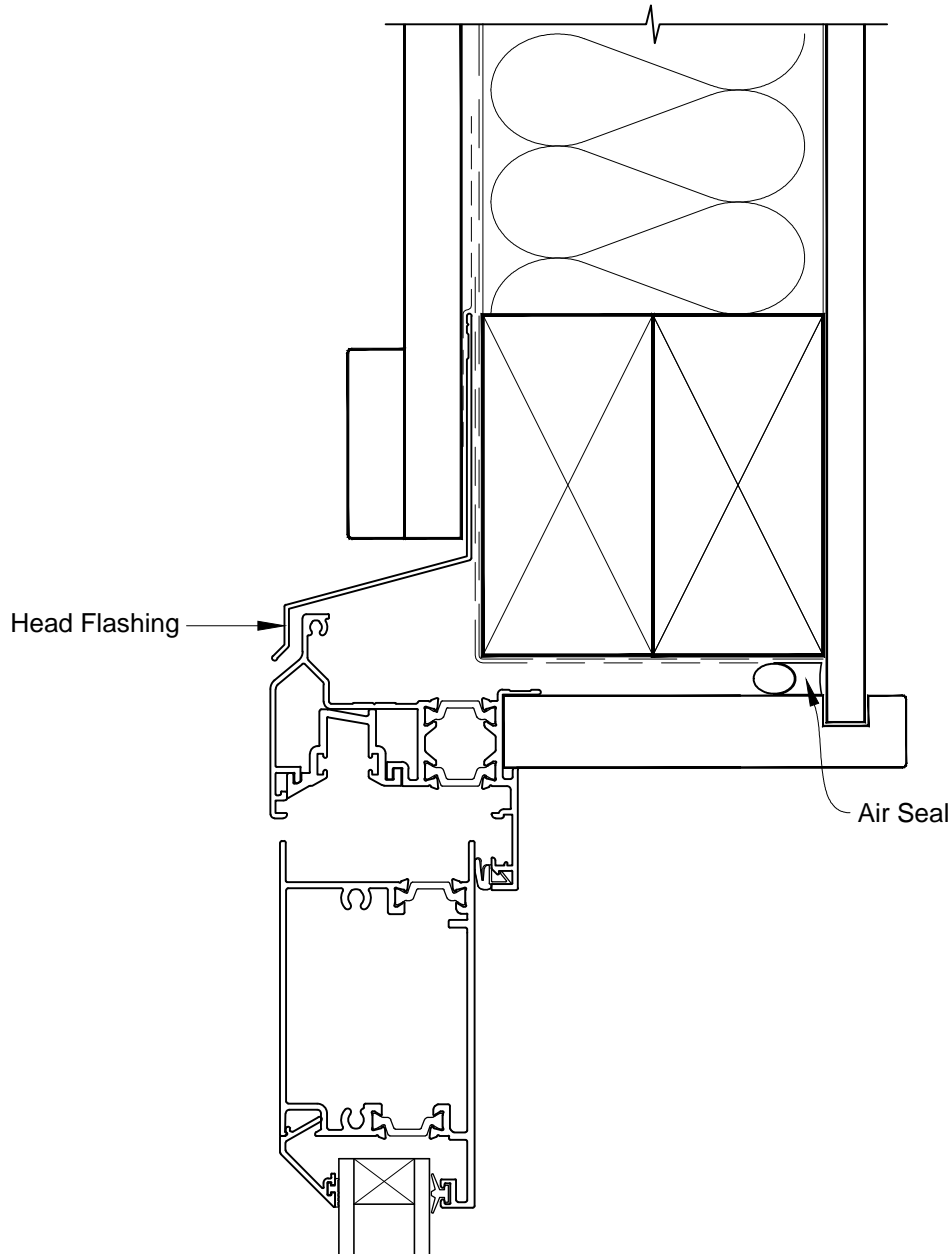


INSTALLATION DETAIL - ALThERM RESIDENTIAL THERMAL HEART - BIFOLD DOOR OPEN OUT DOOR ON BOARD & BATTEN DIRECT FIXED CLADDING

Date: 01.03.14

Scale: 1:2

CAD Ref.: ATBDBB-DH



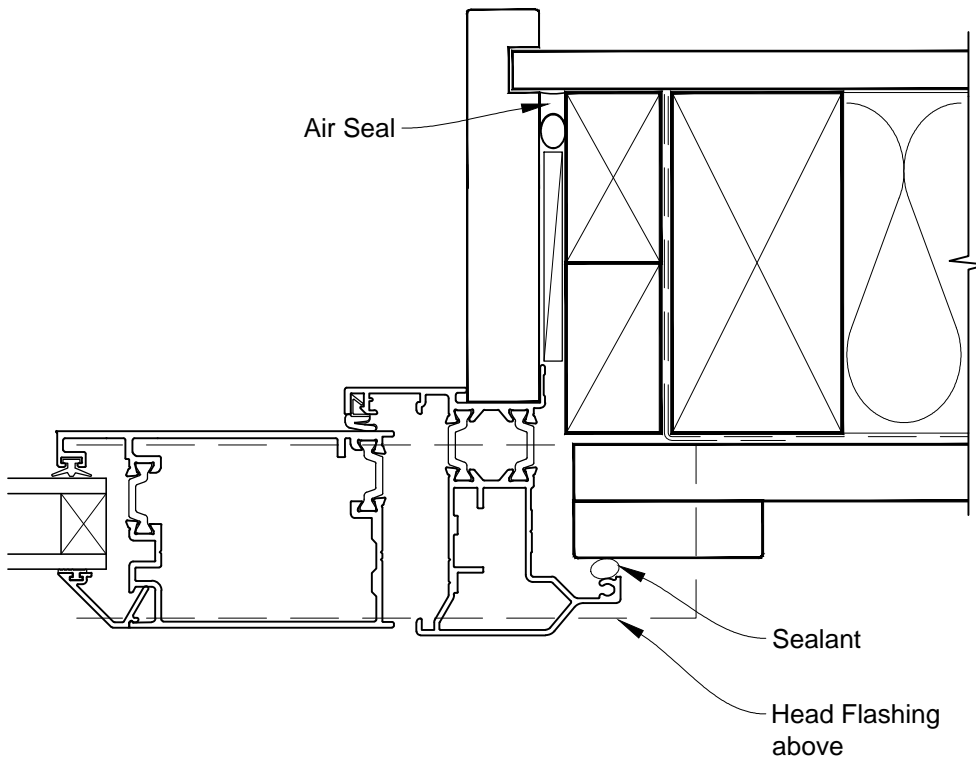


INSTALLATION DETAIL - ALThERM RESIDENTIAL THERMAL HEART - BIFOLD DOOR OPEN OUT DOOR ON BOARD & BATTEN DIRECT FIXED CLADDING

Date: 01.03.14

Scale: 1:2

CAD Ref.: ATBDBB-DJ





INSTALLATION DETAIL - ALTherm RESIDENTIAL THERMAL HEART - BIFOLD DOOR OPEN OUT DOOR ON BOARD & BATTEN DIRECT FIXED CLADDING

Date: 01.03.14

Scale: 1:2

CAD Ref.: ATBDBB-DS

