

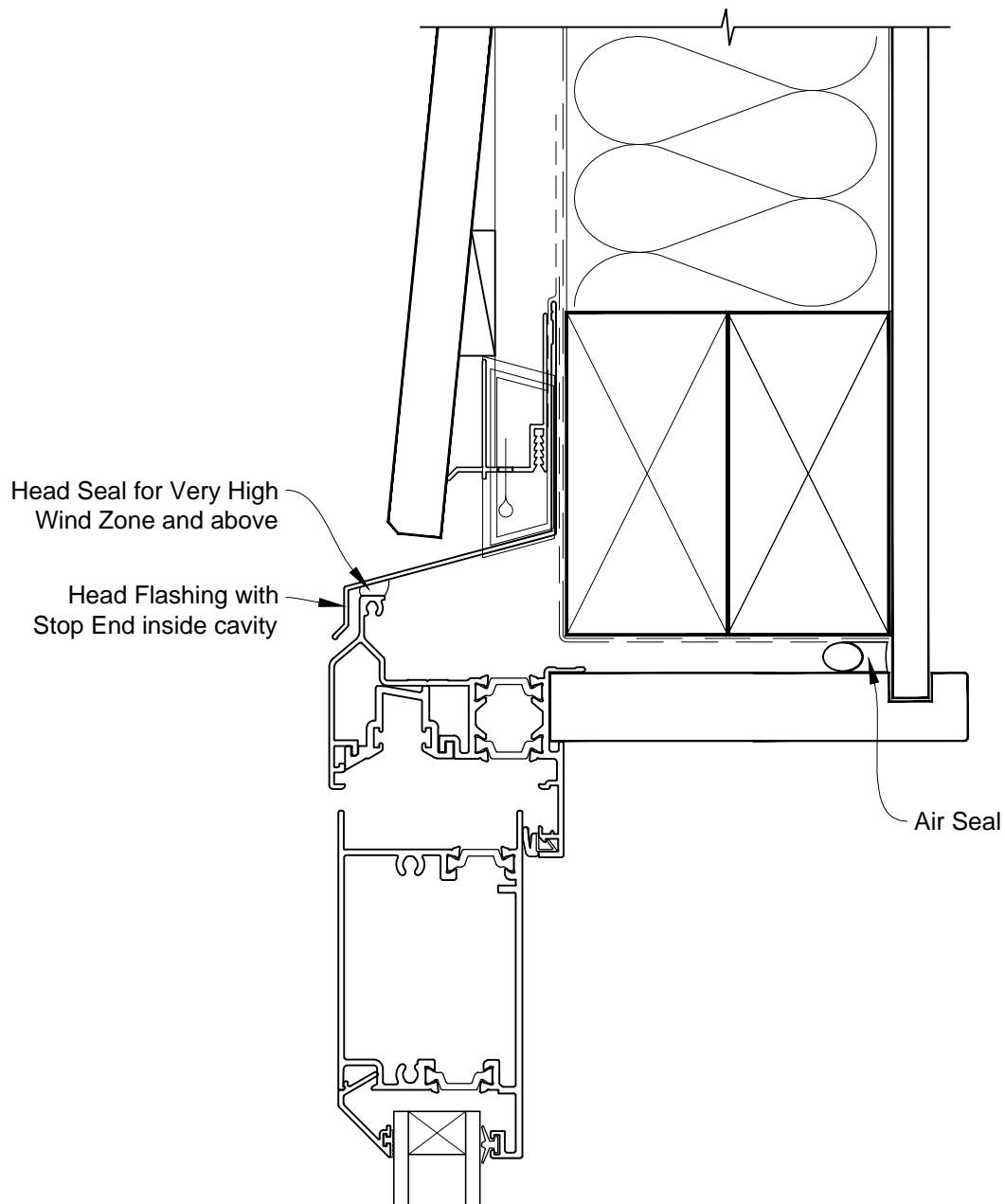


**INSTALLATION DETAIL - ALThERM RESIDENTIAL THERMAL
HEART - BIFOLD DOOR OPEN OUT ON BEVELBACK
WEATHERBOARD - CAVITY CONSTRUCTION**

Date: 01.03.14

Scale: 1:2

CAD Ref.: ATBDBW-CH



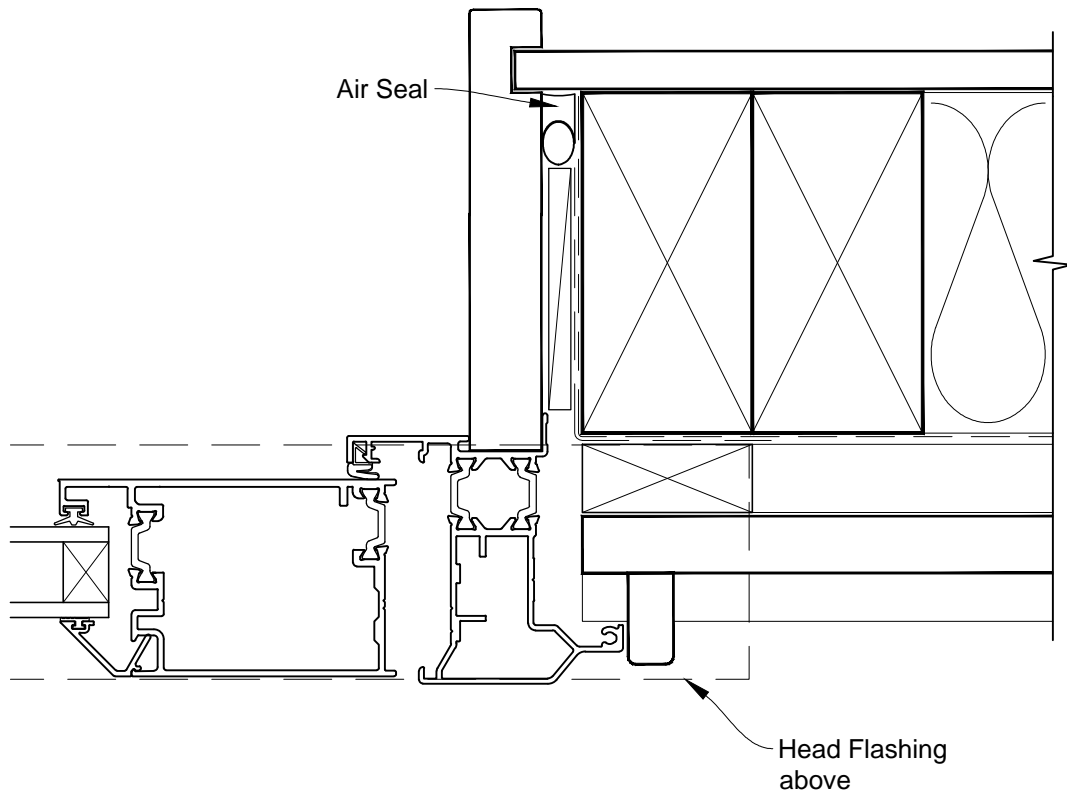


**INSTALLATION DETAIL - ALThERM RESIDENTIAL THERMAL
HEART - BIFOLD DOOR OPEN OUT ON BEVELBACK
WEATHERBOARD - CAVITY CONSTRUCTION**

Date: 01.03.14

Scale: 1:2

CAD Ref.: ATBDBW-CJ



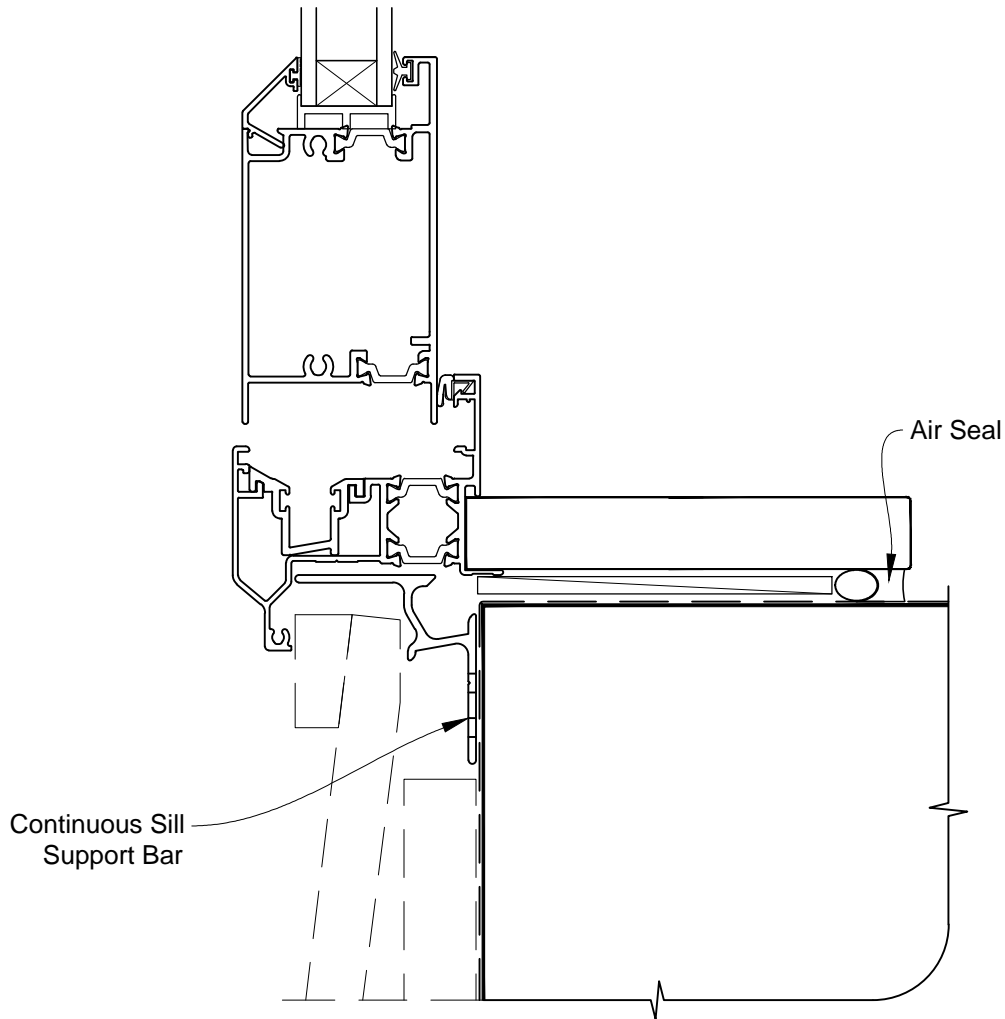


**INSTALLATION DETAIL - ALThERM RESIDENTIAL THERMAL
HEART - BIFOLD DOOR OPEN OUT ON BEVELBACK
WEATHERBOARD - CAVITY CONSTRUCTION**

Date: 01.03.14

Scale: 1:2

CAD Ref.: ATBDBW-CS



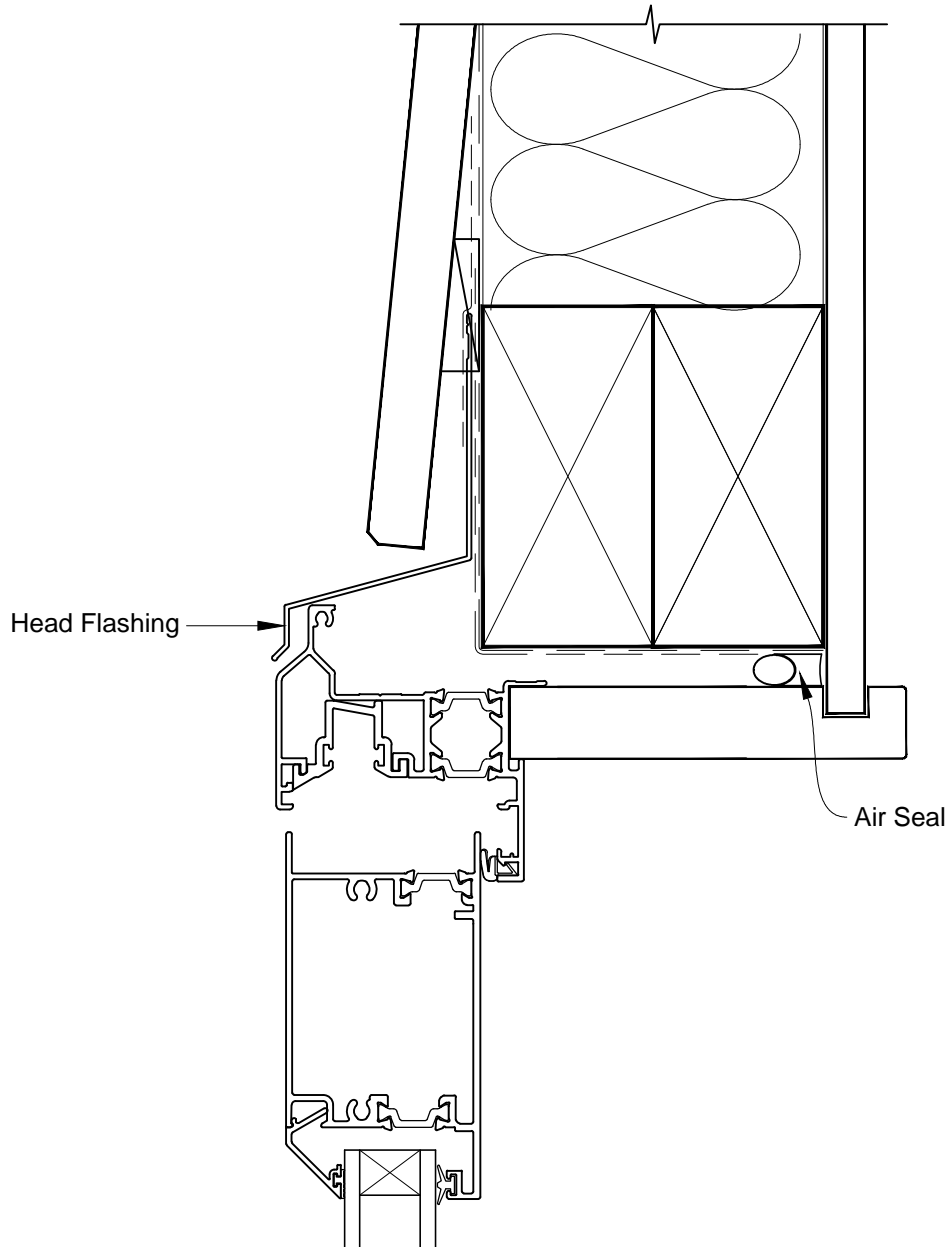


**INSTALLATION DETAIL - ALThERM RESIDENTIAL THERMAL
HEART - BIFOLD DOOR OPEN OUT ON BEVELBACK
WEATHERBOARD - DIRECT FIXED CLADDING**

Date: 01.03.14

Scale: 1:2

CAD Ref.: ATBDBW-DH



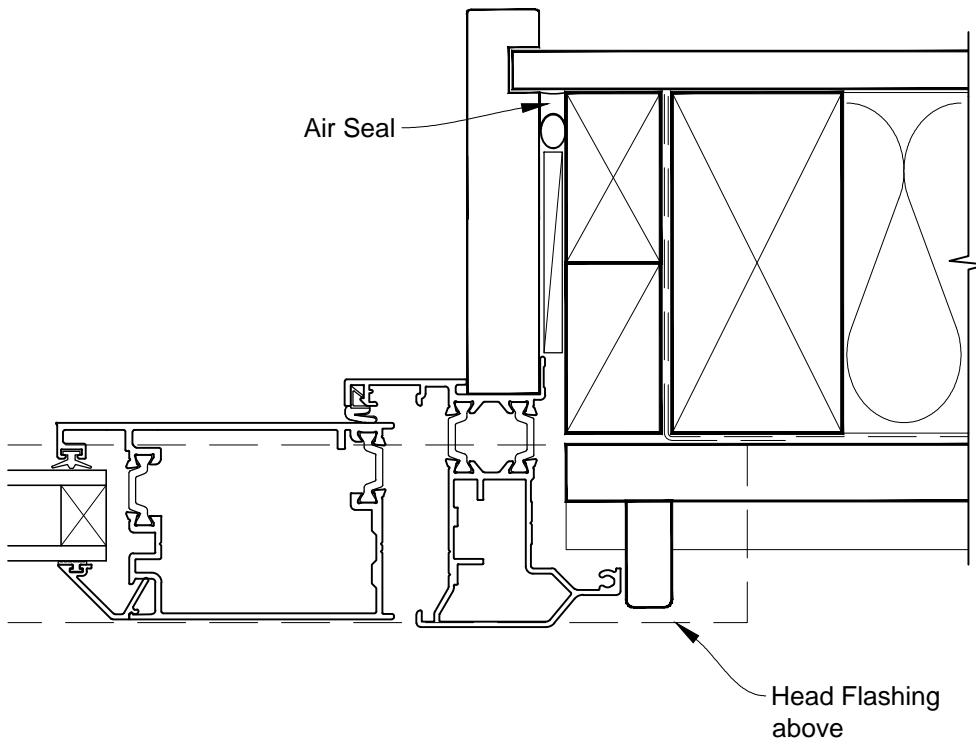


**INSTALLATION DETAIL - ALThERM RESIDENTIAL THERMAL
HEART - BIFOLD DOOR OPEN OUT ON BEVELBACK
WEATHERBOARD - DIRECT FIXED CLADDING**

Date: 01.03.14

Scale: 1:2

CAD Ref.: ATBDBW-DJ





**INSTALLATION DETAIL - ALThERM RESIDENTIAL THERMAL
HEART - BIFOLD DOOR OPEN OUT ON BEVELBACK
WEATHERBOARD - DIRECT FIXED CLADDING**

Date: 01.03.14

Scale: 1:2

CAD Ref.: ATBDBW-DS

