

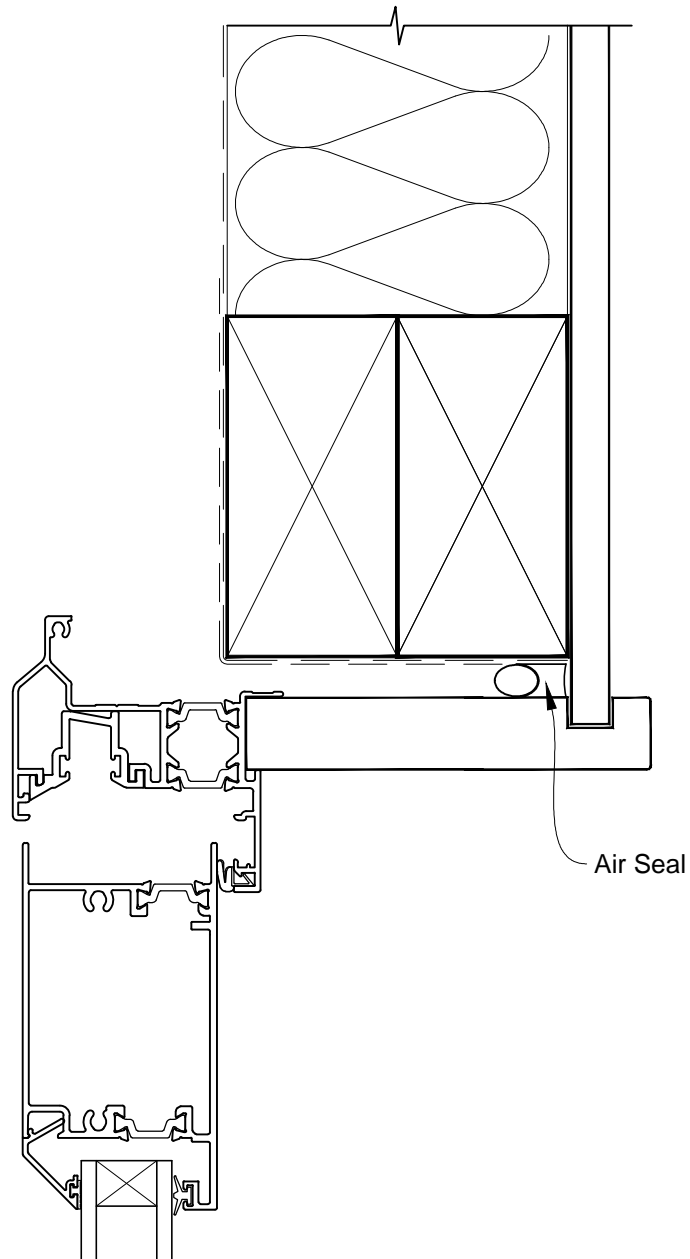


# INSTALLATION DETAIL - ALThERM RESIDENTIAL THERMAL HEART - BIFOLD DOOR OPEN OUT ON NO CLADDING CAVITY CONSTRUCTION

Date: 01.03.14

Scale: 1:2

CAD Ref.: ATBDNC-CH



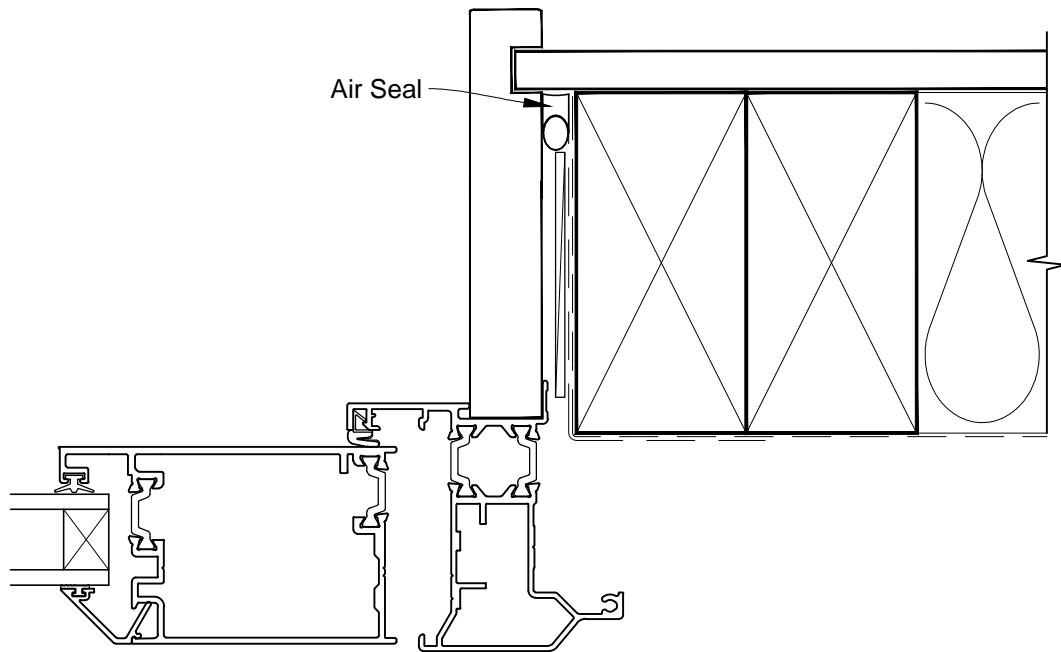


**INSTALLATION DETAIL - ALThERM RESIDENTIAL THERMAL  
HEART - BIFOLD DOOR OPEN OUT ON NO CLADDING  
CAVITY CONSTRUCTION**

Date: 01.03.14

Scale: 1:2

CAD Ref.: ATBDNC-CJ



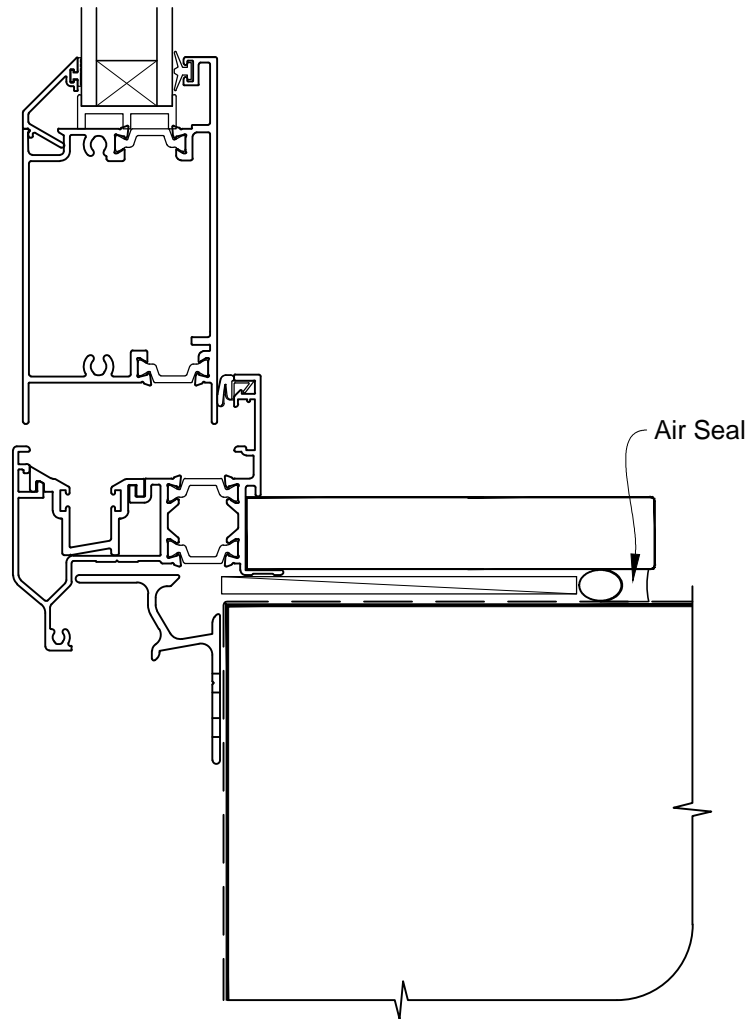


**INSTALLATION DETAIL - ALThERM RESIDENTIAL THERMAL  
HEART - BIFOLD DOOR OPEN OUT ON NO CLADDING  
CAVITY CONSTRUCTION**

Date: 01.03.14

Scale: 1:2

CAD Ref.: ATBDNC-CS



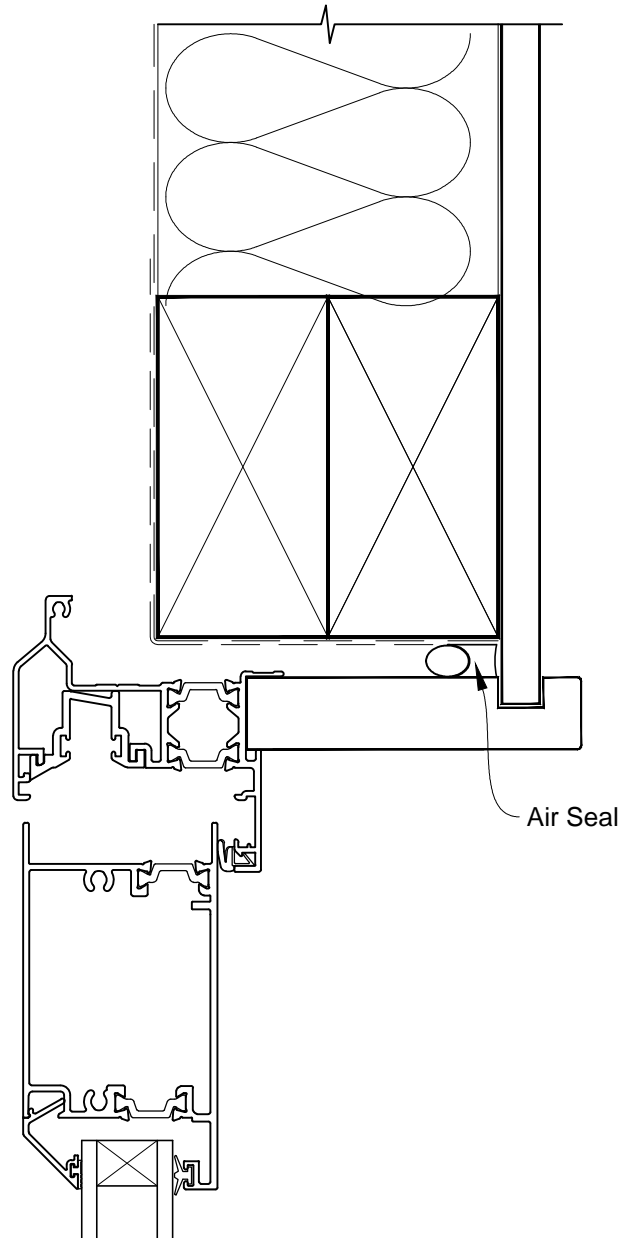


**INSTALLATION DETAIL - ALThERM RESIDENTIAL THERMAL  
HEART - BIFOLD DOOR OPEN OUT ON NO CLADDING  
DIRECT FIXED CLADDING**

Date: 01.03.14

Scale: 1:2

CAD Ref.: ATBDNC-DH



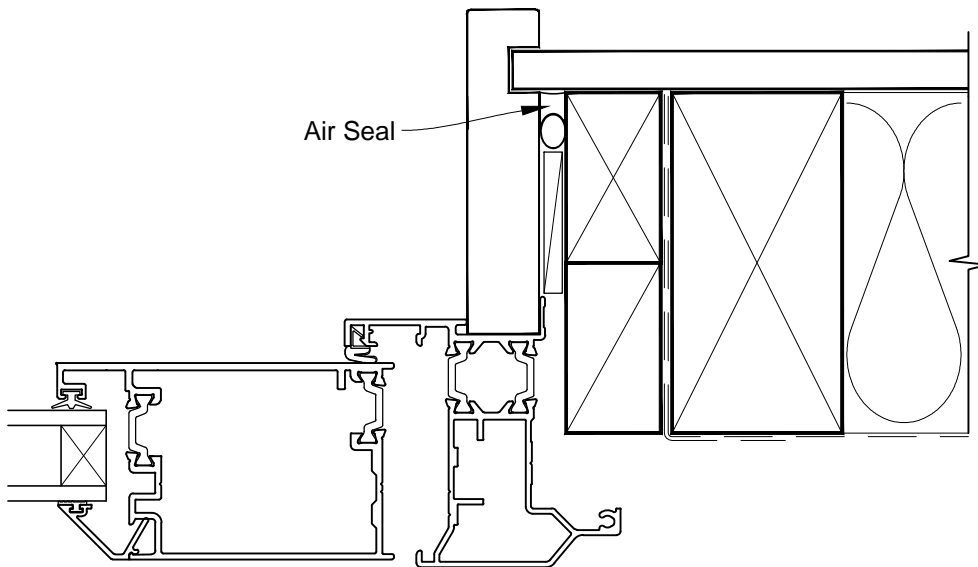


**INSTALLATION DETAIL - ALThERM RESIDENTIAL THERMAL  
HEART - BIFOLD DOOR OPEN OUT ON NO CLADDING  
DIRECT FIXED CLADDING**

Date: 01.03.14

Scale: 1:2

CAD Ref.: ATBDNC-DJ





**INSTALLATION DETAIL - ALThERM RESIDENTIAL THERMAL  
HEART - BIFOLD DOOR OPEN OUT ON NO CLADDING  
DIRECT FIXED CLADDING**

Date: 01.03.14

Scale: 1:2

CAD Ref.: ATBDNC-DS

